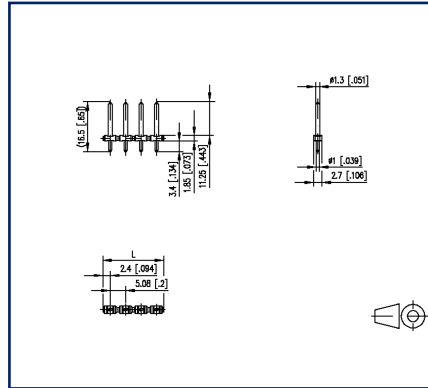


Data sheet
PR016xxVBVC Type 028

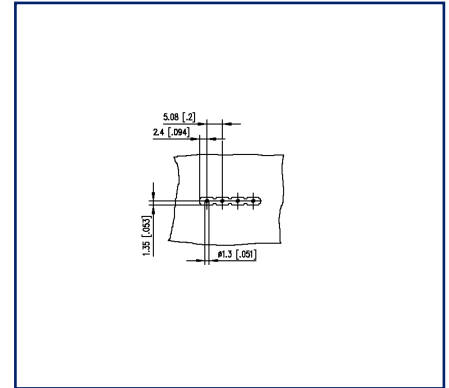
Illustrations



Dimensional drawing



Drill pattern



See enlarged drawings at the end of document

Product specification



- pin header, THR solderable
- centerline 5.08 mm, direction of connection vertical 0°
- fittable without loss of poles
- color black
- Tape & Reel packaging possible

Technical Data

General Data

Solder pin length	3.4 mm		
min. number of poles	2		
max. number of poles	24		
Insulating material class	CTI 400		
clearance/creepage dist.	3.78 mm		
Protection category	IP00		
Rated current	10 A		
Overvoltage category	III	III	II
Pollution degree	3	2	2
Rated voltage	250 V	500 V	500 V
Rated test voltage	4 kV	4 kV	4 kV

Approvals

 V / A	300 / 15
approval UL - File No.	E121004
 SEV Reg 130002	250 V / 4 kV / 10 A / 1.0 mm

Material

insulating material	PA46
flammability class	V0
contact pin material	CuZnPb
contact pin surface	Ni + Ag
Glow-Wire Flammability GWFI	-
Glow-Wire Flammability GWIT	-

Climatic Data

upper limit temperature	105 °C
lower limit temperature	-40 °C

general

Tolerance	ISO 2768 -mH
Solderability	reflowable

U | Contact

Data sheet
PR016xxVBVC Type 028

Page 3/5

P/N
310281xx

xx=number of poles

2023/06/26

Version: X

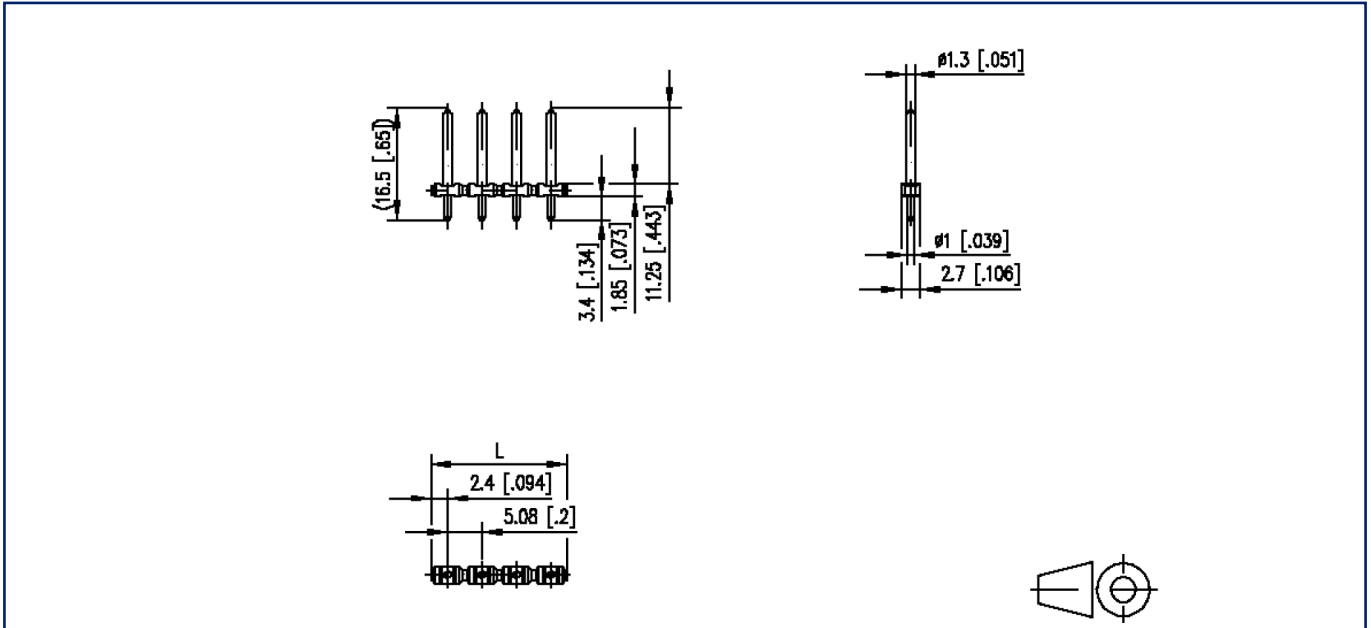
Counterpart of

P/N	Designation
310791	RP026xxIBWU Type 079



Illustrations

Dimensional drawing



$L = (\text{pole size} - 1) \times \text{centerline} + 4.8 \text{ mm} [0.189]$

Illustrations

Drill pattern

