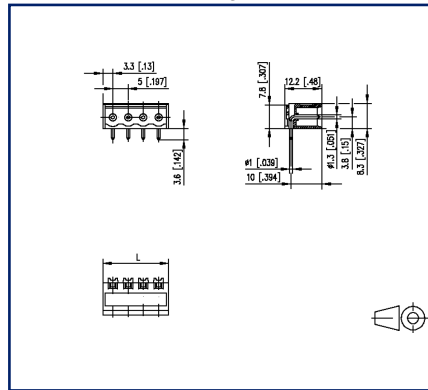


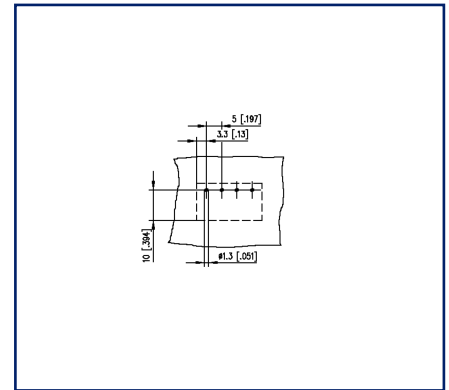
Illustrations



Dimensional drawing as an example



Drill pattern as an example



See enlarged drawings at the end of document

Product specification

- pin header, solderable
- centerline 5.00 mm, direction of connection 90°
- closed ends
- color black

U | Contact

Data sheet

PT045xxHBBN Type 030

Page 2/4

P/N
310301xx

2025/04/15

Technical Data

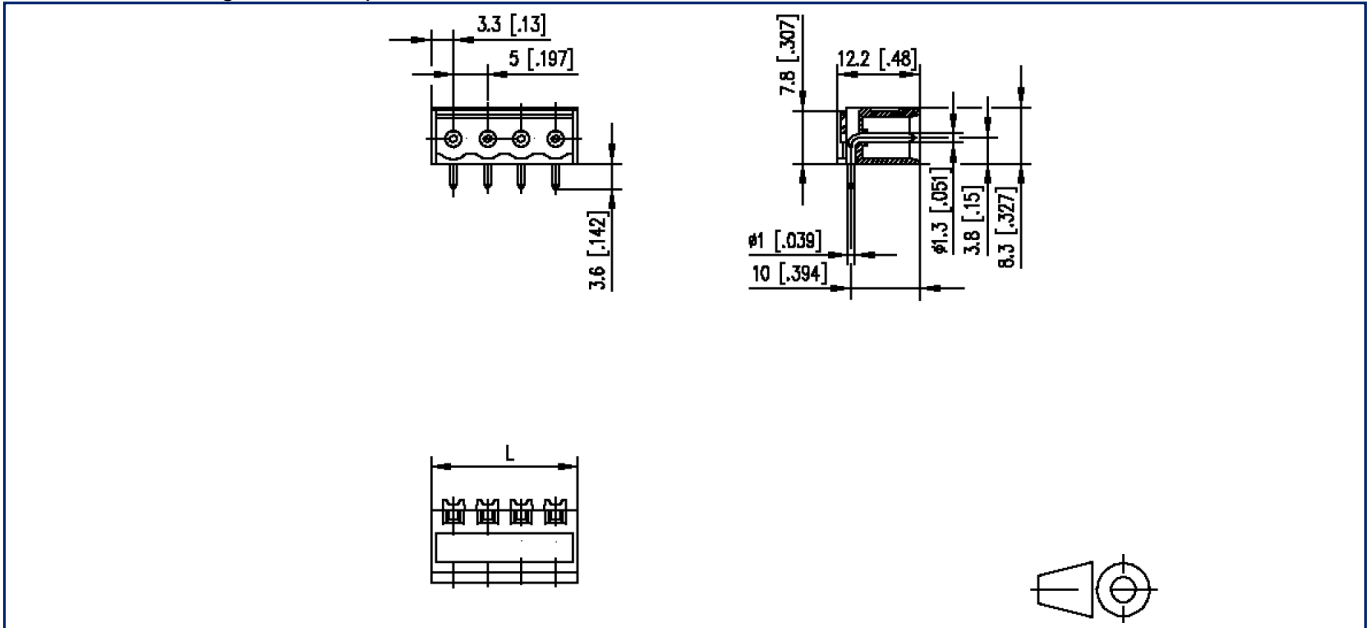
Technical Data

P/N	Designation
310091	RP015xxWBWC Type 009
310101	RP015xxWBNC Typ 010
310131	RP035xxIBLN Type 013
310261	FT085xxVBFC Type 026
310491	RP015xxWBLC Type 049
313481	RP085xxVBLC Type 348
31348103	RP08503VBLC Type 348
31348104	RP08504VBLC Type 348
31348105	RP08505VBLC Type 348
31348106	RP08506VBLC Type 348
SP995XXVBNC	SP995xxVBNC



Illustrations

Dimensional drawing as an example



Drill pattern as an example

