

Data sheet

PT065xxVBEN Type 041

Page 1/6

P/N
310411xx

xx=number of poles

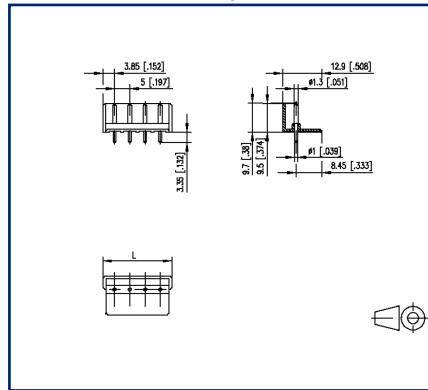
2024/12/04

Version: X

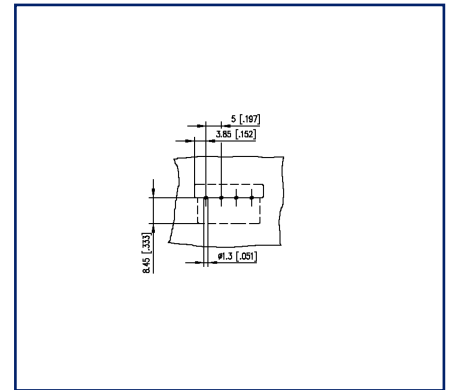
Illustrations



Dimensional drawing as an example



Drill pattern as an example



See enlarged drawings at the end of document

Product specification



- pin header, solderable
- centerline 5.00 mm, direction of connection vertical 0°
- open ends, guiding ribs
- color black

Technical Data

General Data

Solder pin length	3.35 mm		
min. number of poles	2		
max. number of poles	12		
Insulating material class	CTI 600		
clearance/creepage dist.	3.7 mm		
Protection category	IP00		
Rated current	10 A		
Overvoltage category	III	III	II
Pollution degree	3	2	2
Rated voltage	250 V	630 V	630 V
Rated test voltage	4 kV	4 kV	4 kV

Approvals

 V / A	300 / 15
approval UL - File No.	E121004
 1.5 mm ²	250 V / 4 kV / 10 A / 1.0 mm

Material

insulating material	PA66
flammability class	V0
contact pin material	CuZnPb
contact pin surface	Ni + Ag
Glow-Wire Flammability GWFI	960 °C acc. to IEC 60695-2-12
Glow-Wire Flammability GWIT	775 °C acc. to IEC 60695-2-13

Climatic Data

upper limit temperature	105 °C
lower limit temperature	-40 °C

general

Tolerance	ISO 2768 -mH
Solderability	Acc. to JEDEC JESD22-B102E 245°C/5s

Application note

U | Contact

Data sheet

PT065xxVBEN Type 041

Page 3/6

P/N

310411xx

xx=number of poles

2024/12/04

Version: X

Technical Data

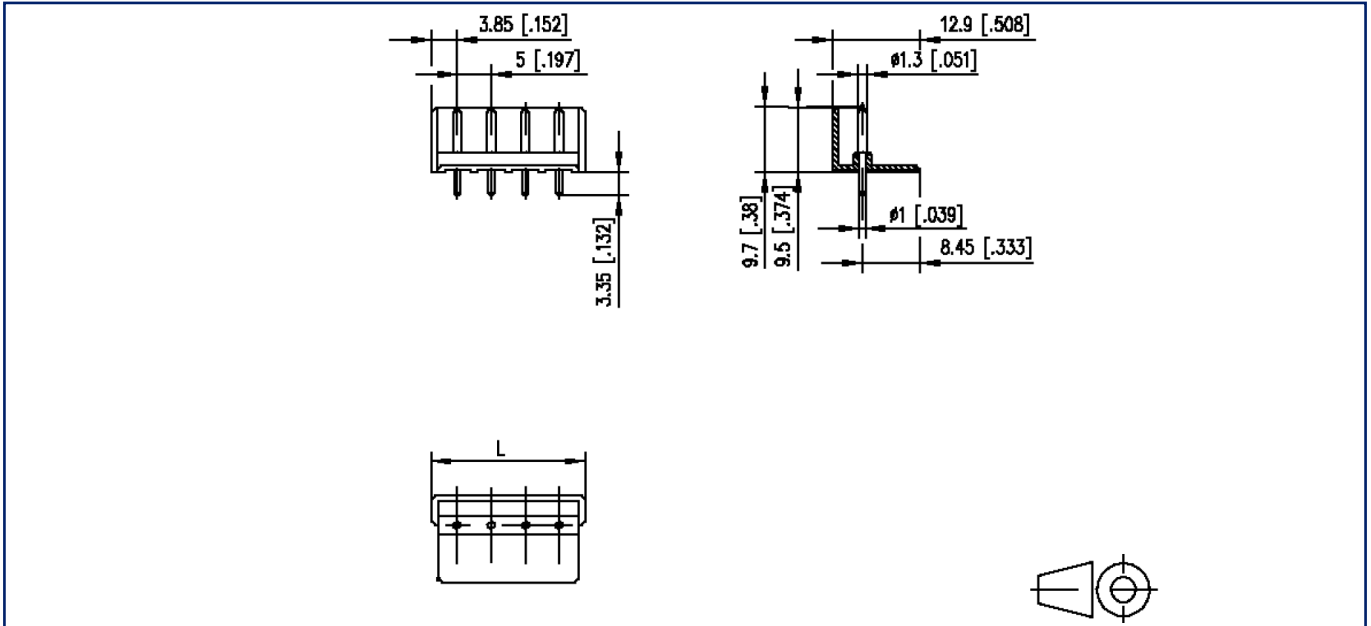
This product is a standard product of METZ CONNECT. METZ CONNECT is not aware of the specific intended use of the goods by the Customer or any customers of the Customer. The Customer guarantees that it has fully and sufficiently tested the use of the goods and any product modifications, product changes or product enhancements with regard to the specific intended use in accordance with the state of the art or in any other way. At METZ CONNECT's request, the Customer shall submit and make available meaningful evidence (e.g. test and laboratory protocols, certifications, etc.).

Counterpart of

P/N	Designation
310071	RP025xxIBWC Type 007
310771	RP025xxIBWU Typ 077
311071	RP025xxHBWC Type 107
ASP025	SP025xxHDNC ASP025
ASP0250204-001	SP02502HDNC ASP0250204-001
ASP0250304-001	SP02503HDNC ASP0250304-001
ASP0250404	SP025xxHDNC ASP025
ASP0250404-004	SP02504HDNC ASP0250404-004
ASP0250504-002	SP02505HDNC ASP0250504-002
ASP0250599-000	SP02505HMNC000 PROFINET
ASP0250804-004	SP02508HDNC ASP0250804-004
ASP145XX22-131	SP145xxHBPC0001
ASP155XX22-131	SP155xxHBPC0001

Illustrations

Dimensional drawing as an example



$L = (\text{pole size} - 1) \times \text{centerline} + 7.7 \text{ mm [0.303]}$

Illustrations

Drill pattern as an example

