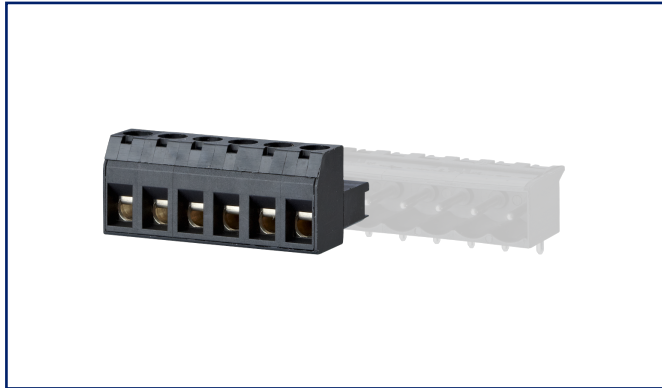
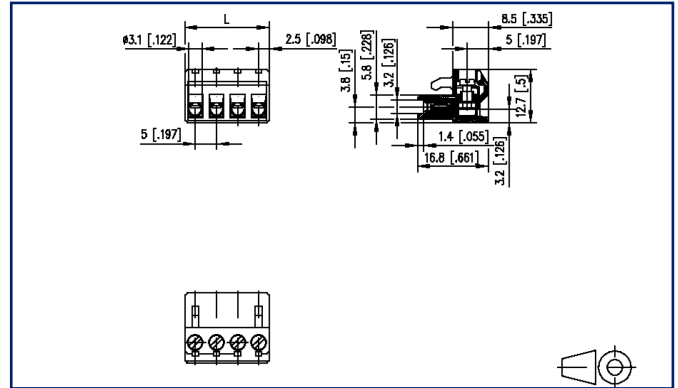


Illustrations



Dimensional drawing as an example



See enlarged drawings at the end of document

Product specification

- screw type terminal block, pluggable
- centerline 5.00 mm, direction of connection vertical 0°
- lift system, fittable without loss of poles
- color black
- wire entry uncodeable side parallel to plug direction, lamella



U | Contact

Data sheet
RP015xxWBLC Type 049

Page 2/5

P/N
310491xx

2025/04/15

Technical Data



U | Contact

Data sheet
RP015xxWBLC Type 049

Page 3/5

P/N
310491xx

2025/04/15

Accessories

P/N	Designation
716906	Coding comb orange

U | Contact

Data sheet
RP015xxWBLC Type 049

Page 4/5

P/N
310491xx

2025/04/15

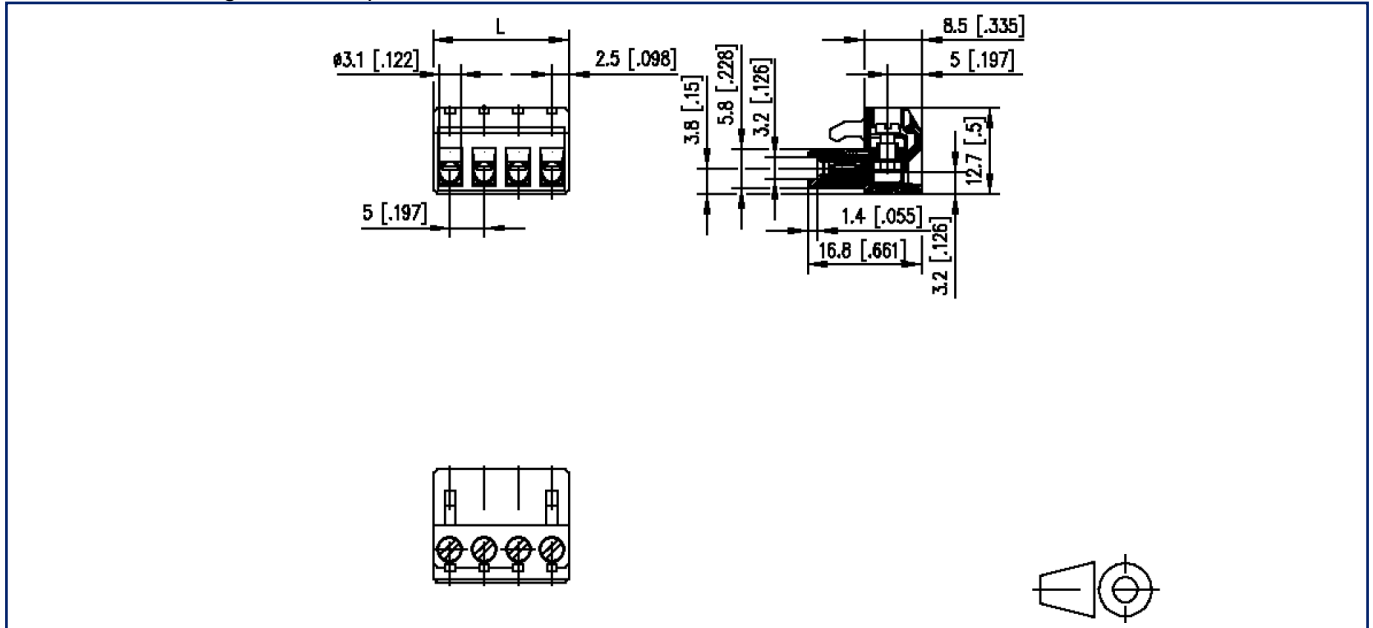
Accessories

P/N	Designation
310191	PT045xxVBEC Type 019
310201	PT045xxVBBN Type 020
310291	PT045xxHBEC Type 029
310301	PT045xxHBBN Type 030
310311	PT045xxHBVC Typ 031
310321	PT045xxHBVN Typ 032
310341	PT045xxHBON Typ 034



Illustrations

Dimensional drawing as an example



© 2025 METZ CONNECT - Technische Änderungen vorbehalten! Subject to modifications! Sous réserve de modifications techniques!

