

Data sheet

RP015xxWBLC Type 049

Page 1/6

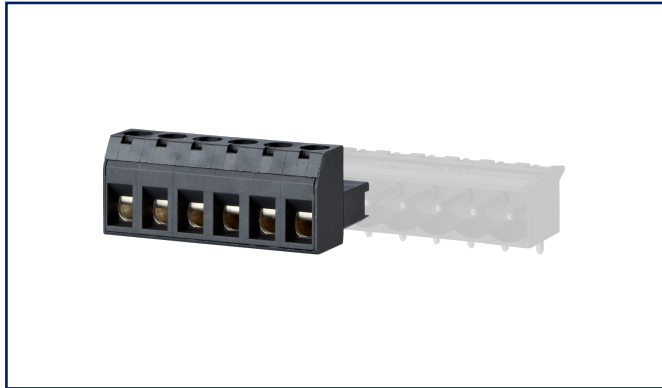
P/N
310491xx

xx=number of poles

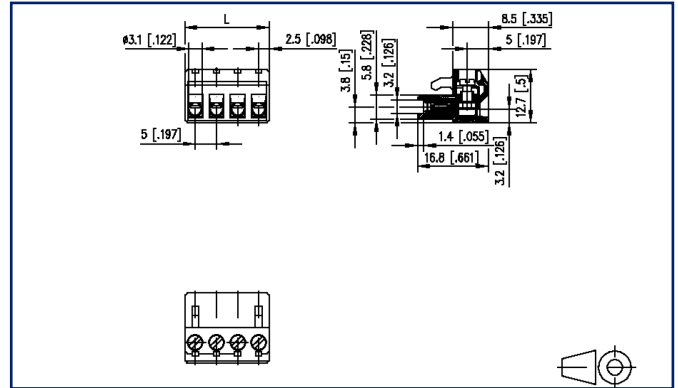
2025/04/16

Version: V

Illustrations



Dimensional drawing as an example



See enlarged drawings at the end of document

Product specification

- screw type terminal block, pluggable
- centerline 5.00 mm, direction of connection vertical 0°
- lift system, fittable without loss of poles
- color black
- wire entry uncodeable side parallel to plug direction, lamella



Technical Data



General Data

Tightening torque SEV	0.5 Nm		
Tightening torque UL	4.4 lb-in		
min. number of poles	2		
max. number of poles	24		
Insulating material class	CTI 600		
clearance/creepage dist.	4.7 mm		
Protection category	IP20		
Insul. strip length	6 mm		
Rated current	10 A		
Overvoltage category	III	III	II
Pollution degree	3	2	2
Rated voltage	160 V	400 V	400 V
Rated test voltage	4 kV	4 kV	4 kV

Terminal data

rat.wiring solid AWGmax	0.33 mm ² - 2.5 mm ² / AWG 22 - AWG 12		
rat.wiring strand.AWGmax	0.33 mm ² - 2.5 mm ² / AWG 22 - AWG 12		

Approvals

 V / A / AWG	300 / 15 / 22 - 12		
approval UL - File No.	E121004		
 2.5 mm ²	320 V / 4 kV / 13.5 A		

Material

insulating material	PA66
flammability class	V0
contact material	CuBe
Contact surface	Ni + Ag
terminal body thread	M3
terminal body material	CuZnPb
terminal body surface	Ni
screw thread	M3
screw material	8,8

Technical Data

screw surface	Zn Cr(VI)-frei/free
wire protector material	CuNiZn
Glow-Wire Flammability GWFI	960 °C acc. to IEC 60695-2-12
Glow-Wire Flammability GWIT	775 °C acc. to IEC 60695-2-13

Climatic Data

upper limit temperature	105 °C
lower limit temperature	-40 °C

general

Tolerance	ISO 2768 -mH
-----------	--------------

Application note

This product is a standard product of METZ CONNECT. METZ CONNECT is not aware of the specific intended use of the goods by the Customer or any customers of the Customer. The Customer guarantees that it has fully and sufficiently tested the use of the goods and any product modifications, product changes or product enhancements with regard to the specific intended use in accordance with the state of the art or in any other way. At METZ CONNECT's request, the Customer shall submit and make available meaningful evidence (e.g. test and laboratory protocols, certifications, etc.).

U | Contact

Data sheet
RP015xxWBLC Type 049

Page 4/6

P/N
310491xx

xx=number of poles

2025/04/16

Version: V

Accessories

P/N	Designation
716906	Coding comb orange

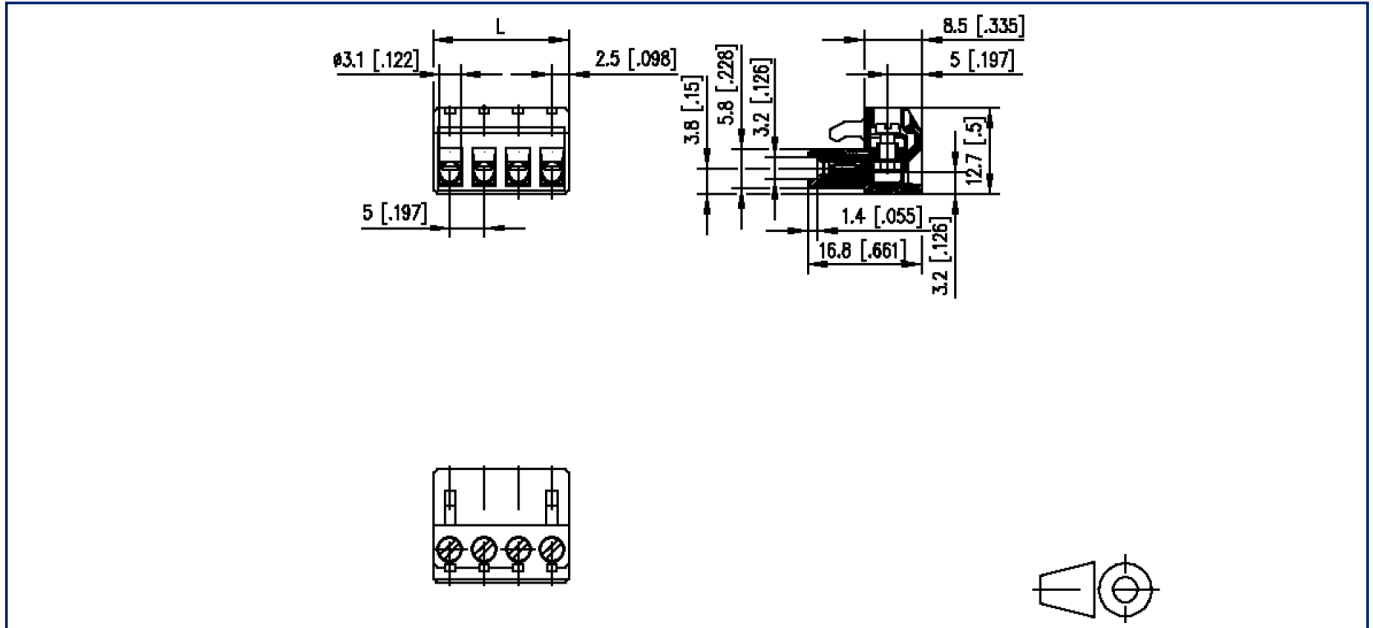


Counterpart

P/N	Designation
310191	PT045xxVBEC Type 019
310201	PT045xxVBBN Type 020
310291	PT045xxHBEC Type 029
310301	PT045xxHBBN Type 030
310311	PT045xxHBVC Typ 031
310321	PT045xxHBVN Typ 032
310341	PT045xxHBON Typ 034

Illustrations

Dimensional drawing as an example



$L = (\text{pole size} - 1) \times \text{centerline} + 5 \text{ mm}$ [0.197]