

# Data sheet

RP026xxIBWU Type 079

Page 1/6

P/N  
310791xx

xx=number of poles

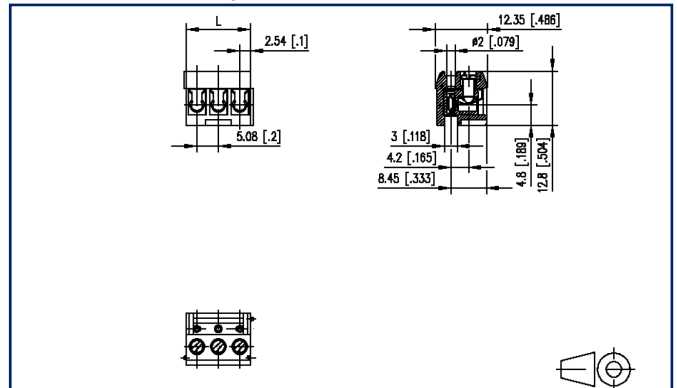
2025/08/21

Version: X

## Illustrations



Dimensional drawing as an example



See enlarged drawings at the end of document

## Product specification

- screw type terminal block, pluggable
- centerline 5.08 mm, direction of connection 90°
- wire protector, modular
- color black
- wire entry perpendicular to plug direction, lamella



**Data sheet**  
**RP026xxIBWU Type 079**

Page 2/6

P/N  
**310791xx**

xx=number of poles

2025/08/21

Version: X

**Technical Data**

**General Data**

Tightening torque SEV	0.5 Nm		
Tightening torque UL	4.4 lb-in		
min. number of poles	2		
max. number of poles	3		
Insulating material class	CTI 600		
clearance/creepage dist.	2.3 mm		
Protection category	IP00		
Insul. strip length	6 mm		
Rated current	10 A		
Overvoltage category	III	III	II
Pollution degree	3	2	2
Rated voltage	100 V	320 V	320 V
Rated test voltage	2.5 kV	2.5 kV	2.5 kV

**Terminal data**

rat.wiring solid AWGmax	0.33 mm <sup>2</sup> - 2 mm <sup>2</sup> / AWG 22 - AWG 14		
rat.wiring strand.AWGmax	0.33 mm <sup>2</sup> - 2 mm <sup>2</sup> / AWG 22 - AWG 14		

**Approvals**

extended wiring UL	Wire range extended to No. 30 AWG for factory-wiring. Two same size wires No. 22-16 AWG Cu, Sol/Str for field-wiring; No. 30-16 AWG Cu Sol/Str factory-wiring.		
--------------------	--	--	--



V / A / AWG

300 / 15 / 22 - 14

approval UL - File No.

E121004



0.33 - 2.5 mm<sup>2</sup>

10 A / 125 V / 2.5 kV / 3

**Material**

insulating material	PA66
flammability class	V0
contact material	CuBe
Contact surface	Ni + Ag
terminal body thread	M3
terminal body material	CuZnPb
terminal body surface	Ni



**Data sheet**  
**RP026xxIBWU Type 079**

Page 3/6

P/N  
310791xx

xx=number of poles

2025/08/21

Version: X

**Technical Data**

screw thread	M3
screw material	8,8
screw surface	Zn Cr(VI)-frei/free
wire protector material	CuSn
wire protector surface	Sn
Glow-Wire Flammability GWFI	960 °C acc. to IEC 60695-2-12
Glow-Wire Flammability GWIT	775 °C acc. to IEC 60695-2-13

**Climatic Data**

upper limit temperature	105 °C
lower limit temperature	-40 °C

**general**

Tolerance	ISO 2768 -mH
-----------	--------------

**Application note**

This product is a standard product of METZ CONNECT. METZ CONNECT is not aware of the specific intended use of the goods by the Customer or any customers of the Customer. The Customer guarantees that it has fully and sufficiently tested the use of the goods and any product modifications, product changes or product enhancements with regard to the specific intended use in accordance with the state of the art or in any other way. At METZ CONNECT's request, the Customer shall submit and make available meaningful evidence (e.g. test and laboratory protocols, certifications, etc.).



Data sheet  
RP026xxIBWU Type 079

Page 4/6

P/N  
310791xx

xx=number of poles

2025/08/21

Version: X

## Accessories

P/N	Designation
710121-2	Coding pin short for type 007
710122-2	Coding pin long for type 007
716846	Coding comb pastel blue
750150	Mounting flange right for type 77, 79
750151	Mounting flange left for type 77, 79



Data sheet  
RP026xxIBWU Type 079

Page 5/6

P/N  
310791xx

xx=number of poles

2025/08/21

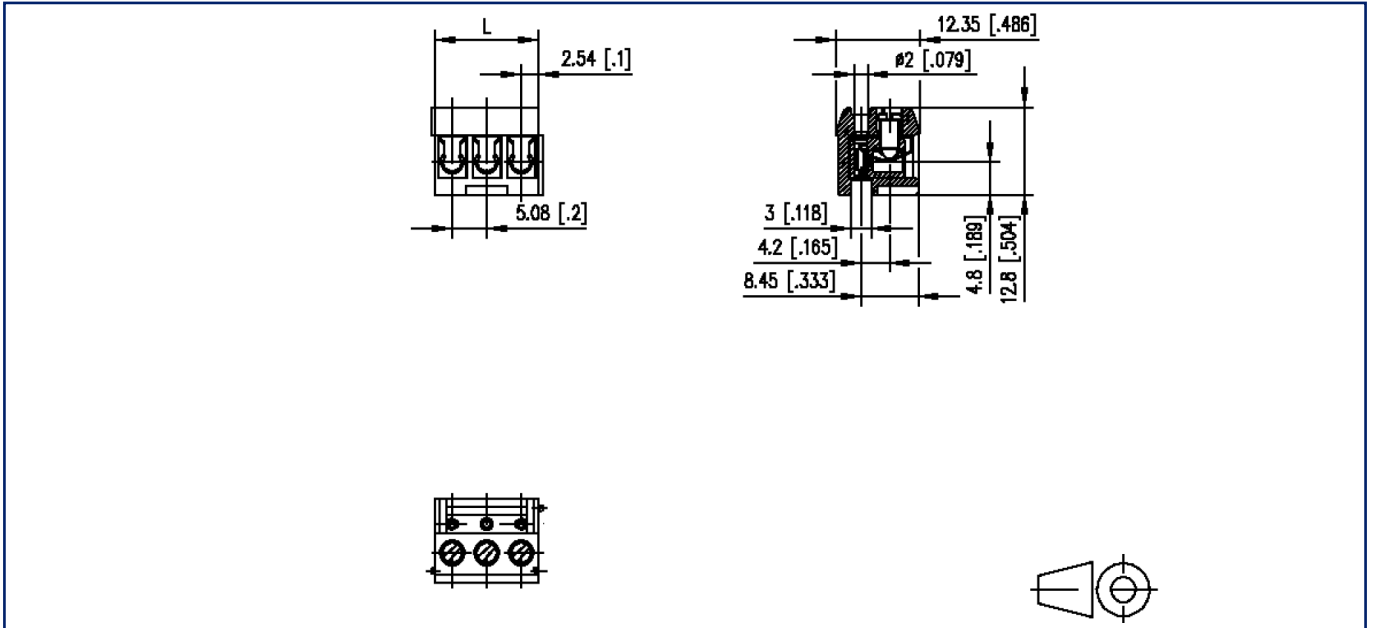
Version: X

## Counterpart

P/N	Designation
310181	PR016xxVBHC Type 018
310281	PR016xxVBVC Type 028
PM016XXVBHC	PM016xxVBHC

### Illustrations

Dimensional drawing as an example



$L = (\text{pole size} - 1) \times \text{centerline} + 5.08 \text{ mm} [0.2]$

