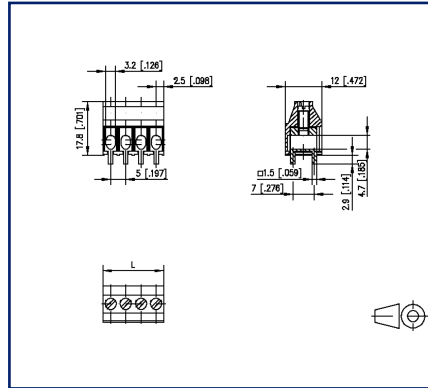


Data sheet
RT165xxHBNC Type 170

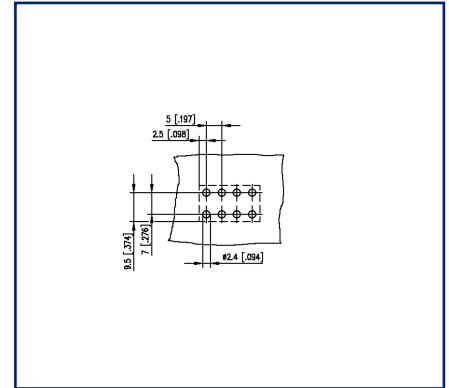
Illustrations



Dimensional drawing as an example



Drill pattern as an example



See enlarged drawings at the end of document

Product specification

- screw type terminal block, solderable, double solder pins
- centerline 5.00 mm, direction of connection 90°
- fittable without loss of poles
- color black
- big chamber for wire entry 2 x 2.50 mm² / 2 x 13.00 AWG



Technical Data

General Data

Tightening torque SEV	0.8 Nm		
Tightening torque UL	7.1 lb-in		
Solder pin length	2.9 mm		
min. number of poles	2		
max. number of poles	12		
Insulating material class	CTI 600		
clearance/creepage dist.	3.5 mm		
Protection category	IP10		
Insul. strip length	9.5 mm		
Rated current	16 A		
Overvoltage category	III	III	II
Pollution degree	3	2	2
Rated voltage	250 V	630 V	630 V
Rated test voltage	4 kV	4 kV	4 kV

Terminal data

rat.wiring solid AWGmax	0.5 mm ² - 4 mm ² / AWG 20 - AWG 10		
rat.wiring strand.AWGmax	0.5 mm ² - 4 mm ² / AWG 20 - AWG 10		

Approvals

extended wiring UL	Device is rated for use with No. 20 AWG Cu, Solid wire only and No. 10 AWG Cu, Sol/Str wire.
--------------------	--

 V / A / AWG	300 / 20 / 20 - 10
---	--------------------

approval UL - File No.	E121004
------------------------	---------

 2 2.5 mm ²	250 V / 24 A / T60
---	--------------------

Material

insulating material	PA66
flammability class	V0
terminal body thread	M3,5
terminal body material	CuZnPb
terminal body surface	Ni + Sn
screw thread	M3,5

Technical Data

screw material	8,8
screw surface	Cu + Ni
Glow-Wire Flammability GWFI	960 °C acc. to IEC 60695-2-12
Glow-Wire Flammability GWIT	775 °C acc. to IEC 60695-2-13

Climatic Data

upper limit temperature	105 °C
lower limit temperature	-40 °C

general

Tolerance	ISO 2768 -mH
Solderability	Acc. to JEDEC JESD22-B102E 245°C/5s

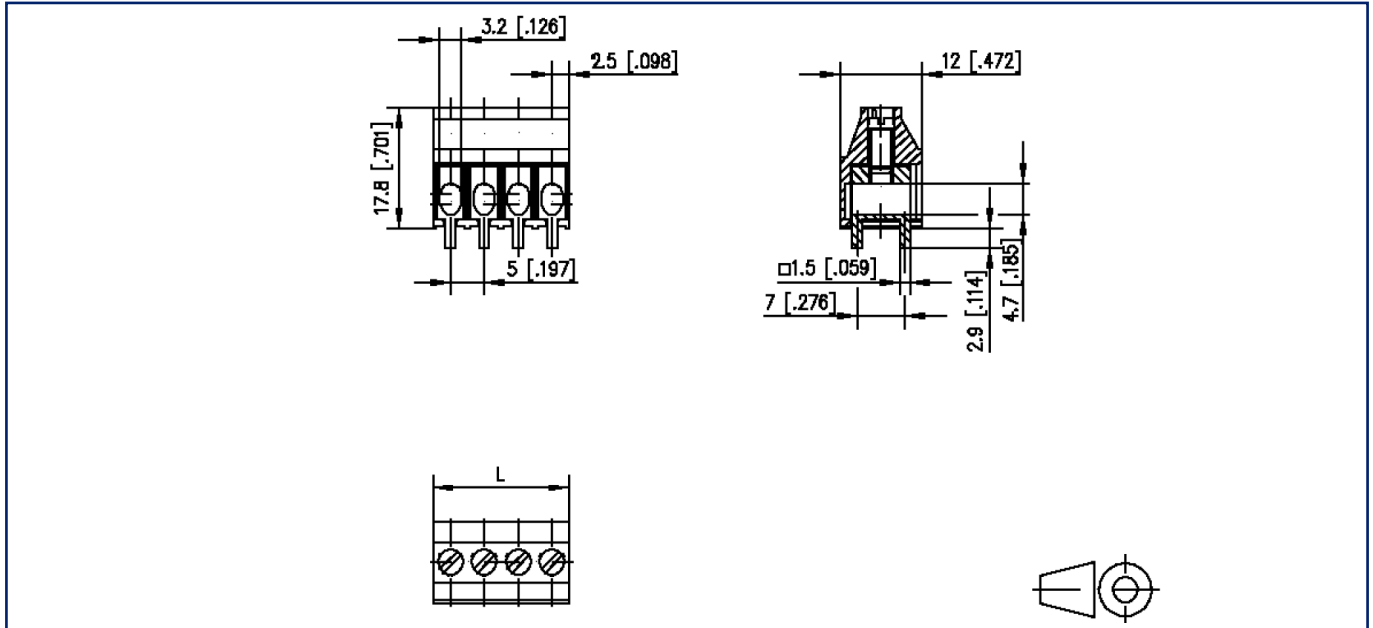
Application note

This product is a standard product of METZ CONNECT. METZ CONNECT is not aware of the specific intended use of the goods by the Customer or any customers of the Customer. The Customer guarantees that it has fully and sufficiently tested the use of the goods and any product modifications, product changes or product enhancements with regard to the specific intended use in accordance with the state of the art or in any other way. At METZ CONNECT's request, the Customer shall submit and make available meaningful evidence (e.g. test and laboratory protocols, certifications, etc.).



Illustrations

Dimensional drawing as an example



$L = (\text{pole size} - 1) \times \text{centerline} + 5 \text{ mm } [0.197]$

Illustrations

Drill pattern as an example

