

# Data sheet

## PR065xxVBBN Type 177

Page 1/7

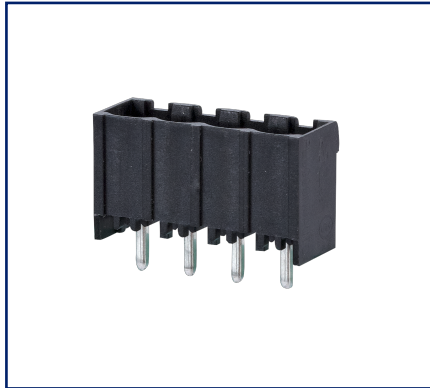
P/N  
311771xx

xx=number of poles

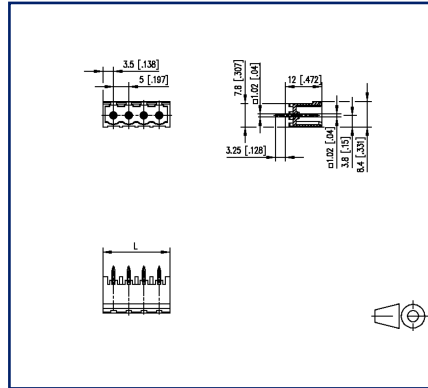
2025/04/16

Version: AA

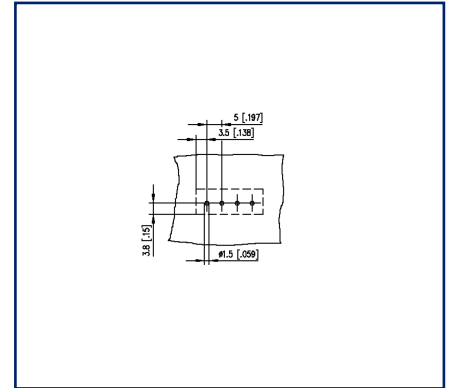
### Illustrations



Dimensional drawing as an example



Drill pattern as an example



See enlarged drawings at the end of document

### Product specification

- pin header, THR solderable
- centerline 5.00 mm, direction of connection vertical 0°
- closed ends
- color black
- Tape & Reel packaging possible
- codeable




## Technical Data


### General Data

Solder pin length	3.25 mm		
min. number of poles	2		
max. number of poles	12		
Insulating material class	CTI 600		
clearance/creepage dist.	4 mm		
Protection category	IP00		
Rated current	13.5 A		
Overvoltage category	III	III	II
Pollution degree	3	2	2
Rated voltage	320 V	800 V	800 V
Rated test voltage	6 kV	6 kV	6 kV

### Approvals

 V / A	300 / 15
---	----------

approval UL - File No.	E121004
------------------------	---------

	320 V / 4 kV / 13.5 A / 1.0 x 1.0 mm
---	--------------------------------------

### Material

insulating material	PA66/6T
flammability class	V0
contact pin material	CuMg
contact pin surface	Cu + Sn
Glow-Wire Flammability GWFI	960 °C acc. to IEC 60695-2-12
Glow-Wire Flammability GWIT	775 °C acc. to IEC 60695-2-13

### Climatic Data

upper limit temperature	105 °C
lower limit temperature	-40 °C

### general

Tolerance	ISO 2768 -mH
Solderability	reflowable

### Application note

# U | Contact

Data sheet

**PR065xxVBBN Type 177**

Page 3/7

P/N

**311771xx**

**xx=number of poles**

2025/04/16

Version: AA

## Technical Data

This product is a standard product of METZ CONNECT. METZ CONNECT is not aware of the specific intended use of the goods by the Customer or any customers of the Customer. The Customer guarantees that it has fully and sufficiently tested the use of the goods and any product modifications, product changes or product enhancements with regard to the specific intended use in accordance with the state of the art or in any other way. At METZ CONNECT's request, the Customer shall submit and make available meaningful evidence (e.g. test and laboratory protocols, certifications, etc.).

# U | Contact

Data sheet

**PR065xxVBBN Type 177**

Page 4/7

P/N

**311771xx****xx=number of poles**

2025/04/16

Version: AA

## Accessories

P/N	Designation
700024-01-9	Coding star white
700523-0157	Geh_Kappe_swg_Block

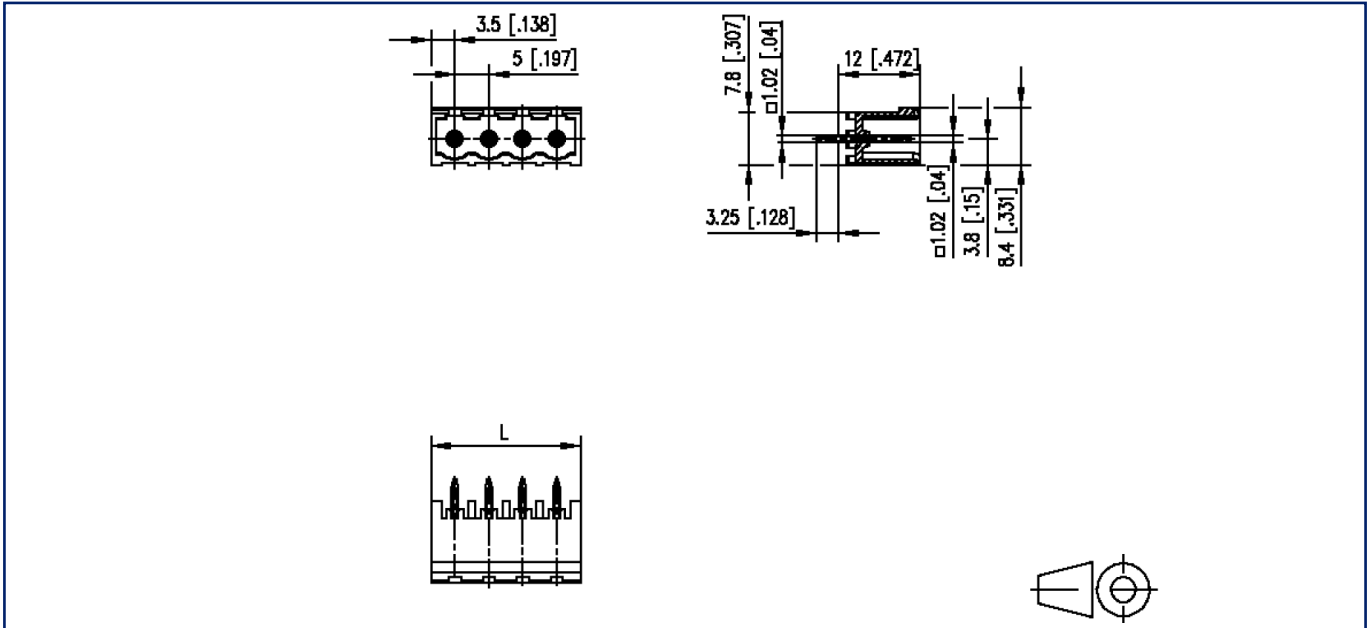


**Counterpart of**

P/N	Designation
313131	RP035xxHBLC Type 313
313141	RP035xxHBLD Type 314
31314103-08	RP035xxHBLD Typ 314
31314103-09	RP035xxHBLD Typ 314
313491	RP015xxVBLC Type 349
313501	RP015xxSBLC Type 350
ASP045	SP045xxVBNC ASP045
SP065XXVBNC	SP065xxVBNC
SP065XXVBPC	SP065xxVBPC
SP995XXVBNC	SP995xxVBNC

## Illustrations

Dimensional drawing as an example



$L = (\text{pole size} - 1) \times \text{centerline} + 7 \text{ mm} [0.276]$

**Illustrations**

Drill pattern as an example

