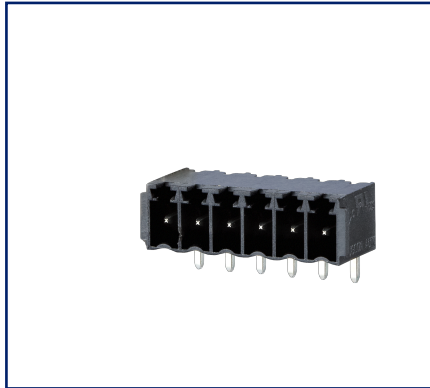
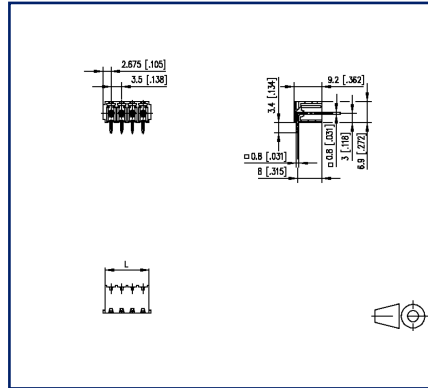


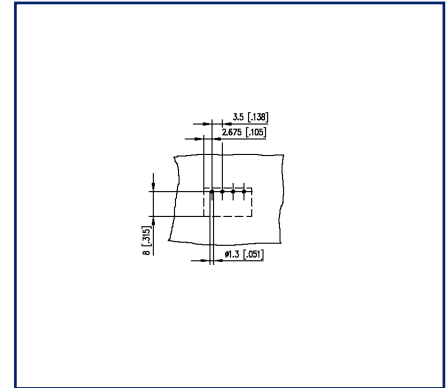
Illustrations



Dimensional drawing as an example



Drill pattern as an example



See enlarged drawings at the end of document

Product specification

- pin header, THR solderable
- centerline 3.50 mm, direction of connection 90°
- closed ends
- color black
- Tape & Reel packaging possible
- codeable



U | Contact

Data sheet
PR043xxHBBN Type 188

Page 2/5

P/N
311881xx

2025/04/15

Technical Data



U | Contact

Data sheet
PR043xxHBBN Type 188

Page 3/5

P/N
311881xx

2025/04/15

Accessories

P/N	Designation
720293-01-2	Coding Star for pin header, centerline 3.81 mm



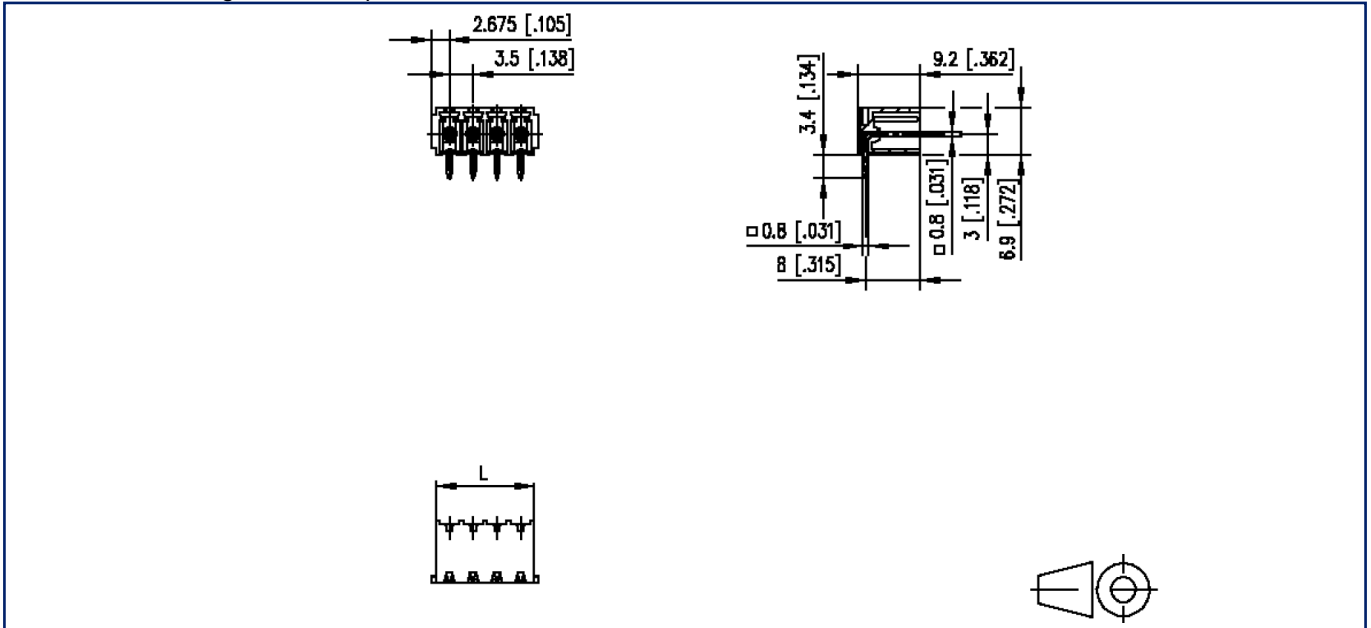
Accessories

P/N	Designation
310891	FT143xxVBFC Type 089
313391	RP033xxVBLC Type 339
316131	RP043xxHBLD Typ 613
316141	RP043xxHBLC Typ 614
ASP043	SP043xxVBNN ASP043
ASP063	SP063xxVGNN ASP063



Illustrations

Dimensional drawing as an example



Drill pattern as an example

