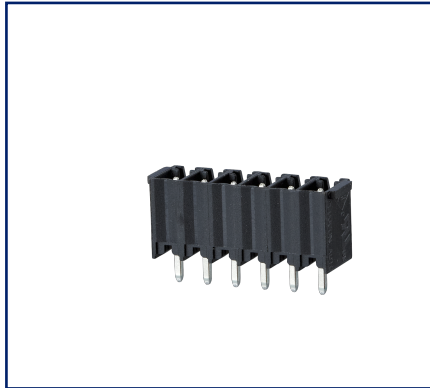
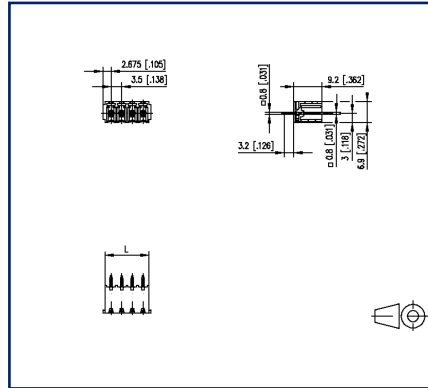


Data sheet
PR043xxVBBN Type 189

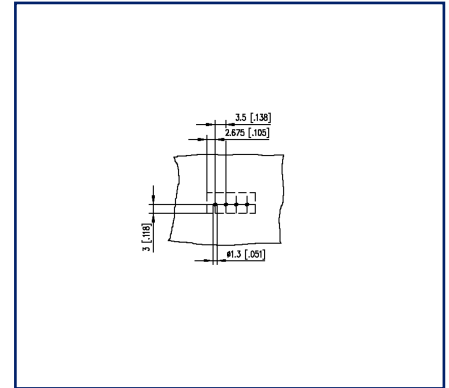
Illustrations



Dimensional drawing as an example



Drill pattern as an example



See enlarged drawings at the end of document

Product specification

- pin header, THR solderable
- centerline 3.50 mm, direction of connection vertical 0°
- closed ends
- color black
- Tape & Reel packaging possible
- codeable





Technical Data

General Data

Solder pin length	3.2 mm		
min. number of poles	2		
max. number of poles	16		
Insulating material class	CTI 600		
clearance/creepage dist.	2.7 mm		
Protection category	IP00		
Rated current	10 A		
Overvoltage category	III	III	II
Pollution degree	3	2	2
Rated voltage	200 V	500 V	500 V
Rated test voltage	4 kV	4 kV	4 kV

Approvals

 V / A	300 / 10
approval UL - File No.	E121004
	130 V / 2.5 kV / 10 A / 0.8 x 0.8 mm

Material

insulating material	PA66/6T
flammability class	V0
contact pin material	CuMg
contact pin surface	Ni + Sn
Glow-Wire Flammability GWFI	960 °C acc. to IEC 60695-2-12
Glow-Wire Flammability GWIT	775 °C acc. to IEC 60695-2-13

Climatic Data

upper limit temperature	105 °C
lower limit temperature	-40 °C

general

Tolerance	ISO 2768 -mH
Solderability	reflowable

Application note

U | Contact

Data sheet

PR043xxVBBN Type 189

Page 3/7

P/N

311891xx

xx=number of poles

2025/04/16

Version: AA

Technical Data

This product is a standard product of METZ CONNECT. METZ CONNECT is not aware of the specific intended use of the goods by the Customer or any customers of the Customer. The Customer guarantees that it has fully and sufficiently tested the use of the goods and any product modifications, product changes or product enhancements with regard to the specific intended use in accordance with the state of the art or in any other way. At METZ CONNECT's request, the Customer shall submit and make available meaningful evidence (e.g. test and laboratory protocols, certifications, etc.).

U | Contact

Data sheet
PR043xxVBBN Type 189

Page 4/7

P/N
311891xx

xx=number of poles

2025/04/16

Version: AA

Accessories

P/N	Designation
720293-01-2	Coding Star for pin header, centerline 3.81 mm



U | Contact

Data sheet
PR043xxVBBN Type 189

Page 5/7

P/N
311891xx

xx=number of poles

2025/04/16

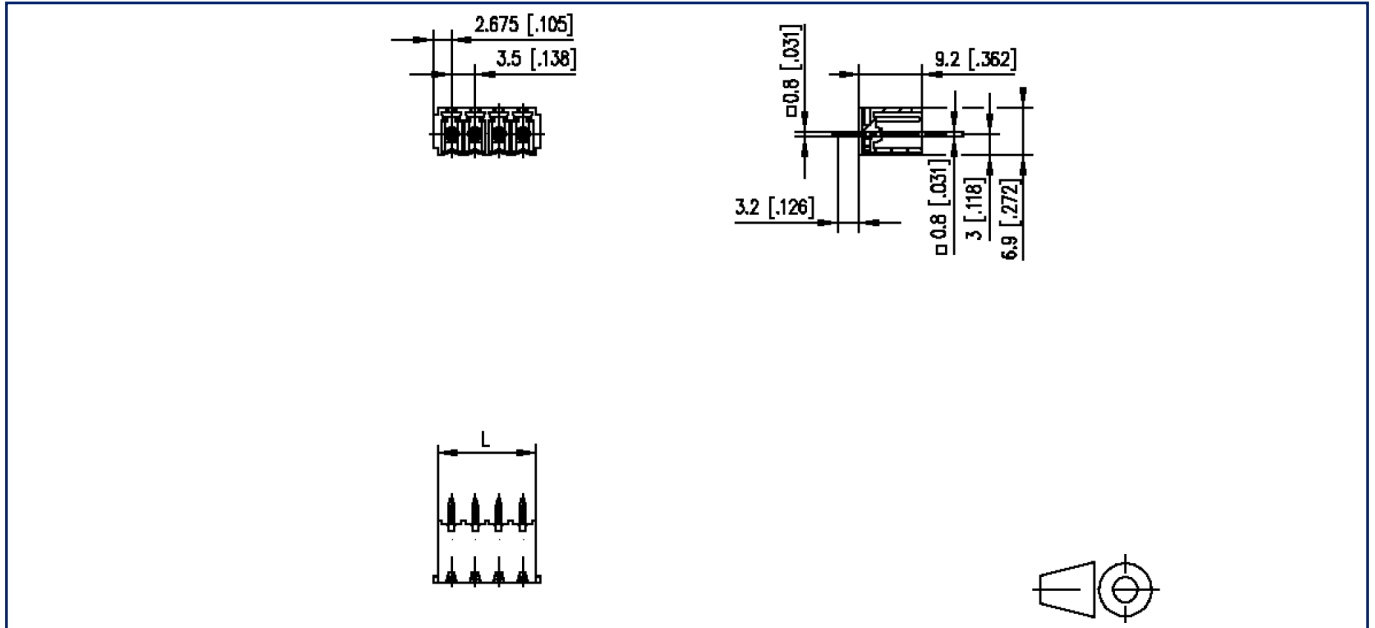
Version: AA

Counterpart of

P/N	Designation
310891	FT143xxVBFC Type 089
313391	RP033xxVBLC Type 339
316131	RP043xxHBLD Typ 613
316141	RP043xxHBLC Typ 614
ASP043	SP043xxVBNN ASP043
ASP063	SP063xxVGNN ASP063

Illustrations

Dimensional drawing as an example



$L = (\text{pole size} - 1) \times \text{centerline} + 5.35 \text{ mm [0.211]}$

Illustrations

Drill pattern as an example

