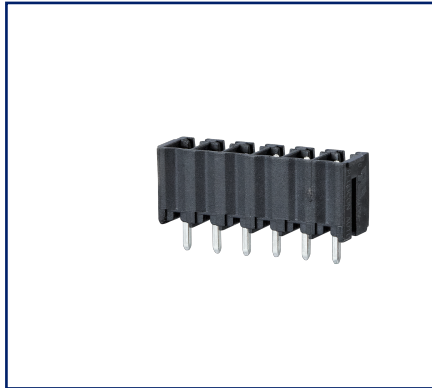


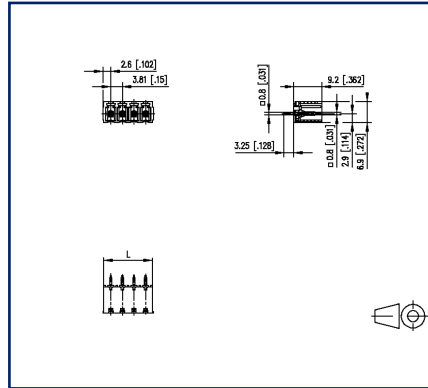
Data sheet

PR044xxVBBN Type 191

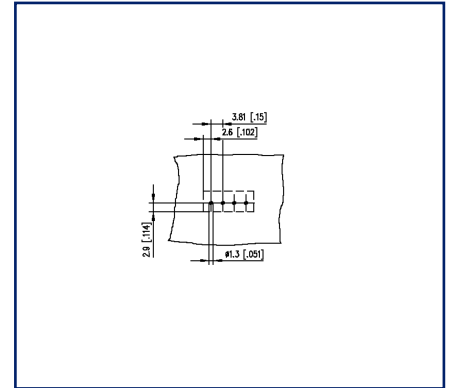
Illustrations



Dimensional drawing as an example



Drill pattern as an example





See enlarged drawings at the end of document

Product specification

- pin header, THR solderable
- centerline 3.81 mm, direction of connection vertical 0°
- closed ends
- color black
- Tape & Reel packaging possible
- codeable

Technical Data

General Data			
Solder pin length	3.25 mm		
min. number of poles	2		
max. number of poles	12		
Insulating material class	CTI 600		
clearance/creepage dist.	3.01 mm		
Protection category	IP00		
Rated current	10 A		
Overvoltage category	III	III	II
Pollution degree	3	2	2
Rated voltage	200 V	500 V	500 V
Rated test voltage	4 kV	4 kV	4 kV
Approvals			
 V / A	300 / 8		
approval UL - File No.	E121004		
 1.5 mm ²	130 V / 2.5 kV / 10 A / 0.8 x 0.8 mm		
Material			
insulating material	PA66/6T		
flammability class	V0		
contact pin material	CuMg		
contact pin surface	Ni + Sn		
Glow-Wire Flammability GWFI	960 °C acc. to IEC 60695-2-12		
Glow-Wire Flammability GWIT	775 °C acc. to IEC 60695-2-13		
Climatic Data			
upper limit temperature	105 °C		
lower limit temperature	-40 °C		
general			
Tolerance	ISO 2768 -mH		
Solderability	reflowable		
Application note			

U | Contact

Data sheet

PR044xxVBBN Type 191

Page 3/7

P/N

311911xx

xx=number of poles

2024/12/05

Version: Y

Technical Data

This product is a standard product of METZ CONNECT. METZ CONNECT is not aware of the specific intended use of the goods by the Customer or any customers of the Customer. The Customer guarantees that it has fully and sufficiently tested the use of the goods and any product modifications, product changes or product enhancements with regard to the specific intended use in accordance with the state of the art or in any other way. At METZ CONNECT's request, the Customer shall submit and make available meaningful evidence (e.g. test and laboratory protocols, certifications, etc.).



U | Contact

Data sheet
PR044xxVBBN Type 191

Page 4/7

P/N
311911xx

xx=number of poles

2024/12/05

Version: Y

Accessories

P/N	Designation
720293-01-2	Coding Star for pin header, centerline 3.81 mm

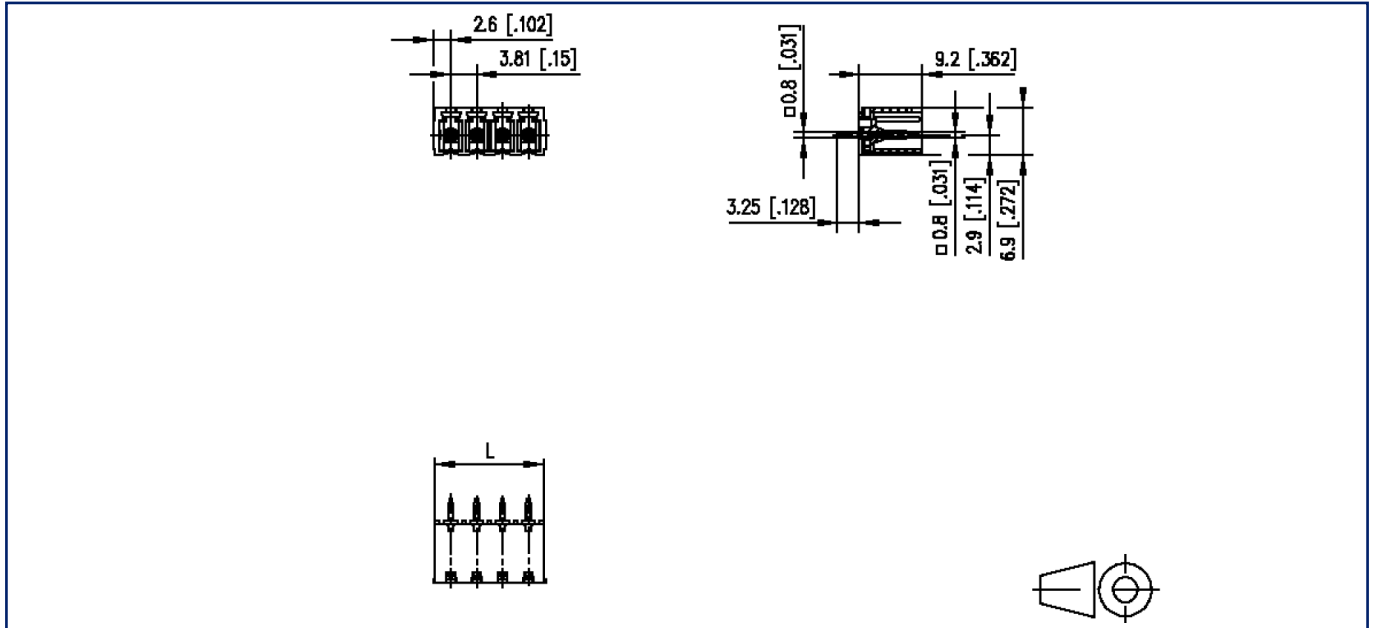


Counterpart of

P/N	Designation
311131	RP034xxHBLO Type 113
311141	RP034xxHBLN Type 114
313691	RP034xxVBLN Type 369
ASP044	SP044xxVBNN ASP044
ASP0440222	SP044xxVBNN ASP044
ASP0440322	SP044xxVBNN ASP044
ASP0440422	SP044xxVBNN ASP044
ASP0440522	SP044xxVBNN ASP044
ASP0440622	SP044xxVBNN ASP044
ASP0440822	SP044xxVBNN ASP044
ASP0440922	SP044xxVBNN ASP044
ASP0441022	SP044xxVBNN ASP044
ASP0441222	SP044xxVBNN ASP044
ASP064	SP064xxVGNN ASP064

Illustrations

Dimensional drawing as an example



$L = (\text{pole size} - 1) \times \text{centerline} + 5.2 \text{ mm} [0.205]$



U | Contact

Data sheet
PR044xxVBBN Type 191

Page 7/7

P/N
311911xx
xx=number of poles
2024/12/05
Version: Y

Illustrations

Drill pattern as an example

