

# Data sheet

## PT116xxVBEC Type 219

Page 1/7

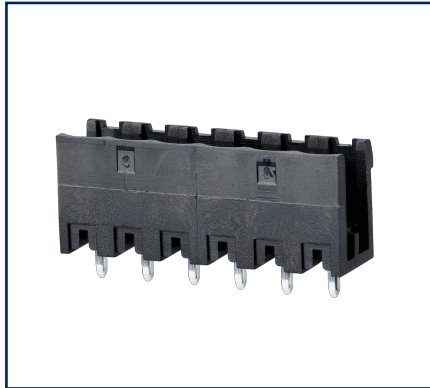
P/N  
312191xx

xx=number of poles

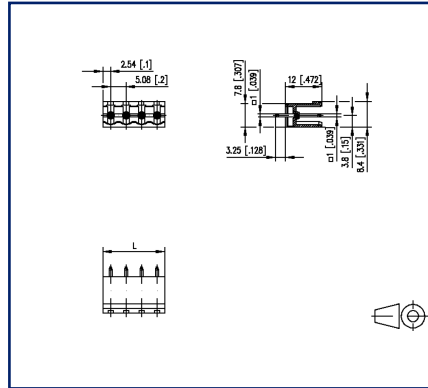
2024/12/05

Version: V

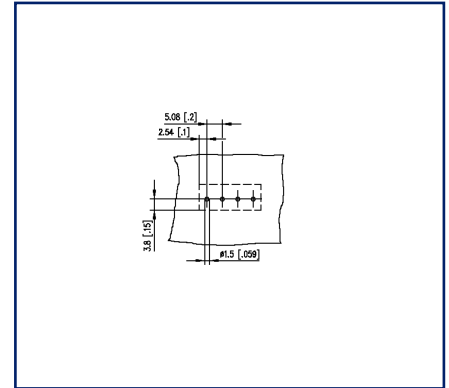
### Illustrations



Dimensional drawing as an example



Drill pattern as an example



See enlarged drawings at the end of document

### Product specification

- pin header, solderable
- centerline 5.08 mm, direction of connection vertical 0°
- open ends, fittable without loss of poles
- color black
- codeable





## Technical Data

### General Data

|                           |         |       |       |
|---------------------------|---------|-------|-------|
| Solder pin length         | 3.25 mm |       |       |
| min. number of poles      | 2       |       |       |
| max. number of poles      | 24      |       |       |
| Insulating material class | CTI 600 |       |       |
| clearance/creepage dist.  | 4.08 mm |       |       |
| Protection category       | IP00    |       |       |
| Rated current             | 10 A    |       |       |
| Overvoltage category      | III     | III   | II    |
| Pollution degree          | 3       | 2     | 2     |
| Rated voltage             | 320 V   | 800 V | 800 V |
| Rated test voltage        | 6 kV    | 6 kV  | 6 kV  |

### Approvals

|   |                                      |
|---|--------------------------------------|
|  V / A               | 300 / 15                             |
| approval UL - File No.  | E121004                              |
|  1.5 mm <sup>2</sup> | 320 V / 4 kV / 13.5 A / 1.0 x 1.0 mm |

### Material

|                             |                               |
|-----------------------------|-------------------------------|
| insulating material         | PA66                          |
| flammability class          | V0                            |
| contact pin material        | CuFe                          |
| contact pin surface         | Ni + Ag                       |
| Glow-Wire Flammability GWFI | 960 °C acc. to IEC 60695-2-12 |
| Glow-Wire Flammability GWIT | 775 °C acc. to IEC 60695-2-13 |

### Climatic Data

|                         |        |
|-------------------------|--------|
| upper limit temperature | 105 °C |
| lower limit temperature | -40 °C |

### general

|               |                                     |
|---------------|-------------------------------------|
| Tolerance     | ISO 2768 -mH                        |
| Solderability | Acc. to JEDEC JESD22-B102E 245°C/5s |

### Application note

# U | Contact

Data sheet

**PT116xxVBEC Type 219**

Page 3/7

P/N

**312191xx**

**xx=number of poles**

2024/12/05

Version: V

## Technical Data

This product is a standard product of METZ CONNECT. METZ CONNECT is not aware of the specific intended use of the goods by the Customer or any customers of the Customer. The Customer guarantees that it has fully and sufficiently tested the use of the goods and any product modifications, product changes or product enhancements with regard to the specific intended use in accordance with the state of the art or in any other way. At METZ CONNECT's request, the Customer shall submit and make available meaningful evidence (e.g. test and laboratory protocols, certifications, etc.).



# U | Contact

Data sheet  
**PT116xxVBEC Type 219**

Page 4/7

P/N  
**312191xx**

**xx=number of poles**

2024/12/05

Version: V

## Accessories

| P/N         | Designation         |
|-------------|---------------------|
| 700024-01-9 | Coding star white   |
| 700523-0157 | Geh_Kappe_swg_Block |



# U | Contact

Data sheet

**PT116xxVBEC Type 219**

Page 5/7

P/N

**312191xx**

**xx=number of poles**

2024/12/05

Version: V

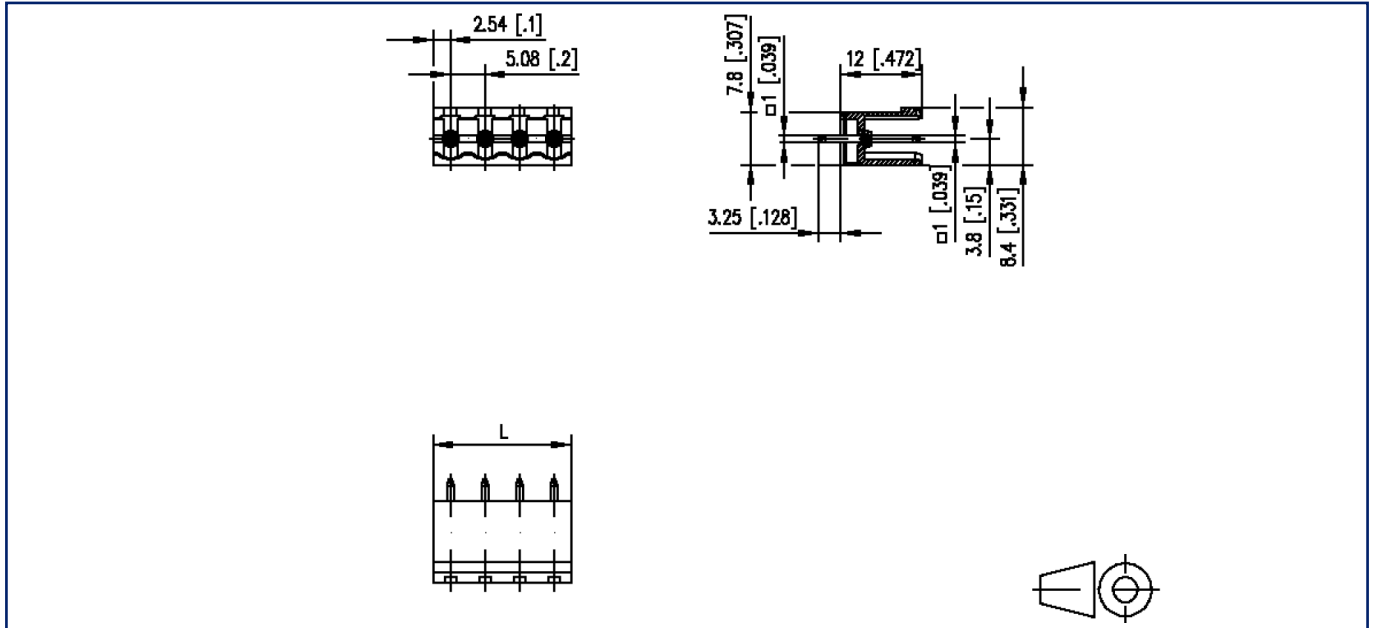
## Counterpart of

| P/N         | Designation          |
|-------------|----------------------|
| 312131      | RP036xxHBLC Type 213 |
| 312141      | RP036xxHBLD Type 214 |
| 312491      | RP016xxVBLC Type 249 |
| 312492      | RP01AxxVBLC Type 249 |
| 312501      | RP016xxSBLC Typ 250  |
| ASP046      | SP046xxVBNC ASP046   |
| SP066XXVBNC | SP066xxVBNC          |
| SP066XXVBPC | SP066xxVBPC          |



## Illustrations

Dimensional drawing as an example



$$L = (\text{pole size} - 1) \times \text{centerline} + 4.98 \text{ mm [0.196]}$$

**Illustrations**

Drill pattern as an example

