

Data sheet

PR033xxVBHC Type 224

Page 1/6

P/N
312241xx

xx=number of poles

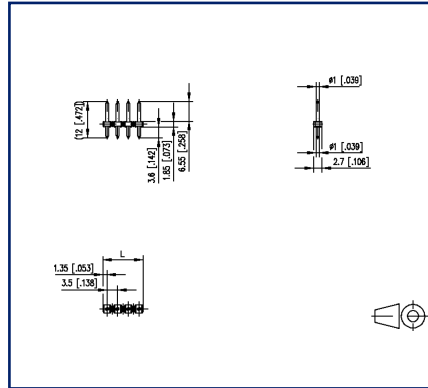
2025/08/22

Version: AC

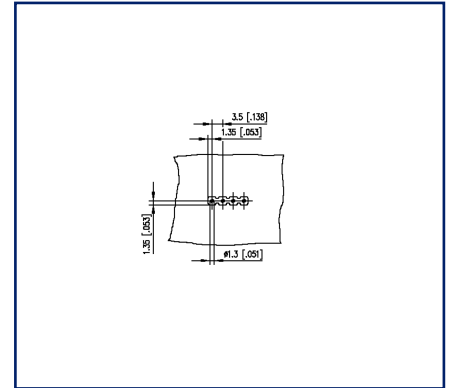
Illustrations



Dimensional drawing as an example



Drill pattern as an example



See enlarged drawings at the end of document

Product specification

- pin header, THR solderable
- centerline 3.50 mm, direction of connection vertical 0°
- fittable without loss of poles
- Tape & Reel packaging possible
- color black



Data sheet
PR033xxVBHC Type 224

P/N
312241xx
xx=number of poles
2025/08/22
Version: AC

Technical Data

General Data

Solder pin length	3.6 mm		
min. number of poles	2		
max. number of poles	24		
Insulating material class	CTI 600		
clearance/creepage dist.	2.5 mm		
Protection category	IP00		
Rated current	6 A		
Overvoltage category	III	III	II
Pollution degree	3	2	2
Rated voltage	200 V	500 V	500 V
Rated test voltage	4 kV	4 kV	4 kV

Approvals

 V / A	300 / 15
---	----------

approval UL - File No.	E121004
------------------------	---------

	200 V / 2.5 kV / 6 A / 1.0 mm
---	-------------------------------

Material

insulating material	PA46
flammability class	V0
contact pin material	CuZnPb
contact pin surface	Ni + Sn
Glow-Wire Flammability GWFI	-
Glow-Wire Flammability GWIT	-

Climatic Data

upper limit temperature	105 °C
lower limit temperature	-40 °C

general

Tolerance	ISO 2768 -mH
Solderability	reflowable

Application note

Data sheet

Page 3/6

PR033xxVBHC Type 224

P/N

312241xx

xx=number of poles

2025/08/22

Version: AC

Technical Data

This product is a standard product of METZ CONNECT. METZ CONNECT is not aware of the specific intended use of the goods by the Customer or any customers of the Customer. The Customer guarantees that it has fully and sufficiently tested the use of the goods and any product modifications, product changes or product enhancements with regard to the specific intended use in accordance with the state of the art or in any other way. At METZ CONNECT's request, the Customer shall submit and make available meaningful evidence (e.g. test and laboratory protocols, certifications, etc.).



Data sheet
PR033xxVBHC Type 224

Page 4/6

P/N
312241xx

xx=number of poles

2025/08/22

Version: AC

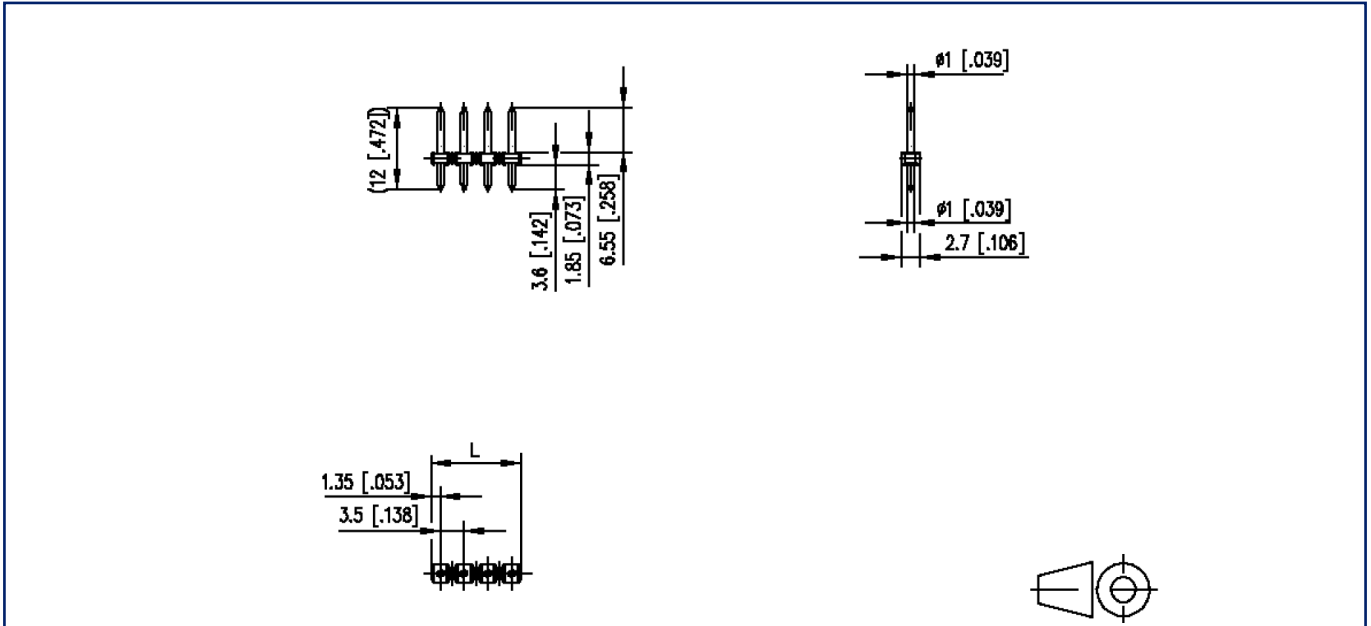
Counterpart of

P/N	Designation
311661	RP023xxHBWC Type 166
31166102	RP02302HBWC Type 166
31166103	RP02303HBWC Type 166
31166104	RP02304HBWC Type 166
31166105	RP02305HBWC Type 166
31166106	RP02306HBWC Type 166
31166107	RP02307HBWC Type 166
31166108	RP02308HBWC Type 166
31166109	RP02309HBWC Type 166
31166110	RP02310HBWC Type 166
31166111	RP02311HBWC Type 166
31166112	RP02312HBWC Type 166
31166114	RP02314HBWC Type 166
31166115	RP02315HBWC Type 166
31166116	RP02316HBWC Type 166
31166117	RP02317HBWC Type 166
31166118	RP02318HBWC Type 166
31166120	RP02320HBWC Type 166



Illustrations

Dimensional drawing as an example



$$L = (\text{pole size} - 1) \times \text{centerline} + 2.7 \text{ mm } [0.106]$$

Data sheet
PR033xxVBHC Type 224

Page 6/6

P/N
312241xx

xx=number of poles

2025/08/22

Version: AC

Illustrations

Drill pattern as an example

