

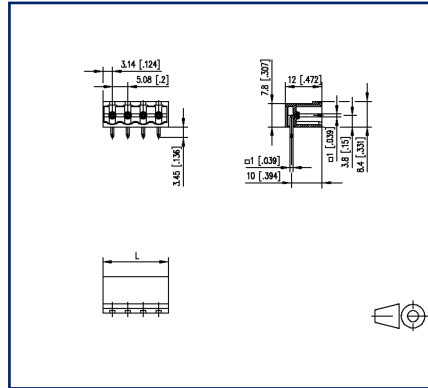
# Data sheet

## PT116xxHBBN Type 230

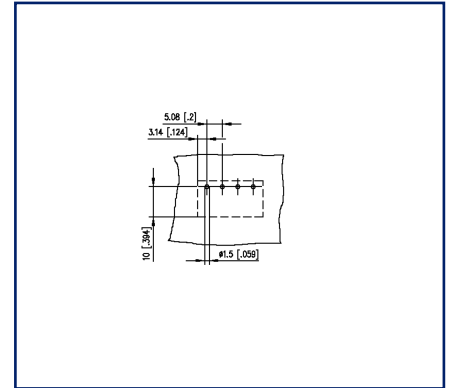
### Illustrations



Dimensional drawing as an example



Drill pattern as an example



See enlarged drawings at the end of document

### Product specification

- pin header, solderable
- centerline 5.08 mm, direction of connection 90°
- closed ends
- color black
- codeable



## Technical Data

### General Data

Solder pin length	3.45 mm		
min. number of poles	2		
max. number of poles	24		
Insulating material class	CTI 600		
clearance/creepage dist.	4.08 mm		
Protection category	IP00		
Rated current	13.5 A		
Overvoltage category	III	III	II
Pollution degree	3	2	2
Rated voltage	320 V	800 V	800 V
Rated test voltage	6 kV	6 kV	6 kV

### Approvals

 V / A	300 / 15
---	----------

approval UL - File No.	E121004
------------------------	---------

 1.5 mm <sup>2</sup>	320 V / 4 kV / 13.5 A / 1.0 x 1.0 mm
---	--------------------------------------

### Material

insulating material	PA66
flammability class	V0
contact pin material	CuFe
contact pin surface	Ni + Ag
Glow-Wire Flammability GWFI	960 °C acc. to IEC 60695-2-12
Glow-Wire Flammability GWIT	775 °C acc. to IEC 60695-2-13

### Climatic Data

upper limit temperature	105 °C
lower limit temperature	-40 °C

### general

Tolerance	ISO 2768 -mH
Solderability	Acc. to JEDEC JESD22-B102E 245°C/5s

### Application note

# U | Contact

Data sheet

**PT116xxHBBN Type 230**

Page 3/7

P/N

**312301xx**

**xx=number of poles**

2024/12/05

Version: X

## Technical Data

This product is a standard product of METZ CONNECT. METZ CONNECT is not aware of the specific intended use of the goods by the Customer or any customers of the Customer. The Customer guarantees that it has fully and sufficiently tested the use of the goods and any product modifications, product changes or product enhancements with regard to the specific intended use in accordance with the state of the art or in any other way. At METZ CONNECT's request, the Customer shall submit and make available meaningful evidence (e.g. test and laboratory protocols, certifications, etc.).



# U | Contact

Data sheet  
**PT116xxHBBN Type 230**

Page 4/7

P/N  
**312301xx**

**xx=number of poles**

2024/12/05

Version: X

## Accessories

P/N	Designation
700024-01-9	Coding star white
700523-0157	Geh_Kappe_swg_Block



# U | Contact

Data sheet  
**PT116xxHBBN Type 230**

Page 5/7

P/N  
**312301xx**

**xx=number of poles**

2024/12/05

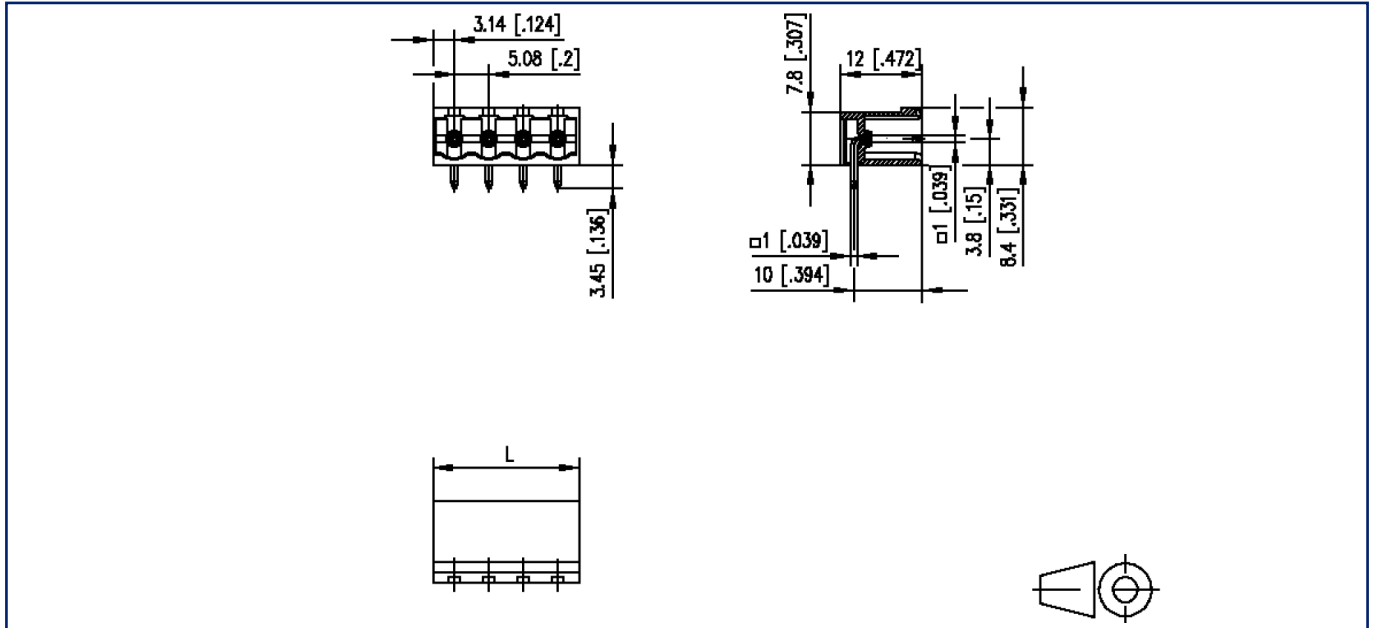
Version: X

## Counterpart of

P/N	Designation
312131	RP036xxHBLC Type 213
312141	RP036xxHBLD Type 214
312491	RP016xxVBLC Type 249
312501	RP016xxSBLC Typ 250
ASP046	SP046xxVBNC ASP046

**Illustrations**

Dimensional drawing as an example



$L = (\text{pole size} - 1) \times \text{centerline} + 6.28 \text{ mm} [0.247]$

## Illustrations

Drill pattern as an example

