

# Data sheet

## RP018xxVBLC Type 262

Page 1/6

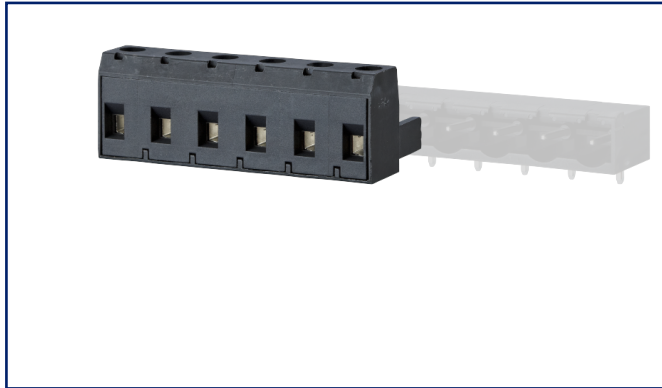
P/N  
312621xx

xx=number of poles

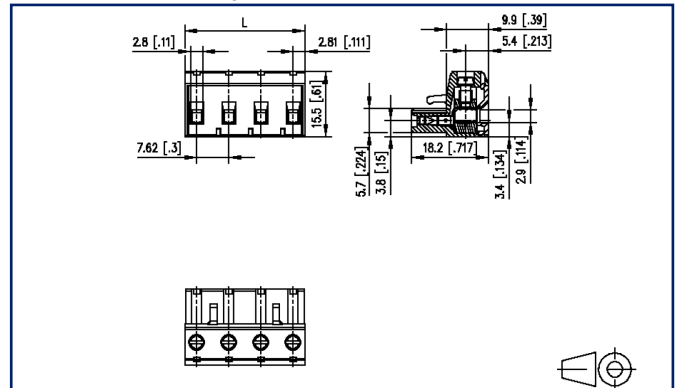
2026/03/24

Version: G

### Illustrations



Dimensional drawing as an example



See enlarged drawings at the end of document

### Product specification

- screw type terminal block, pluggable
- centerline 7.62 mm, direction of connection vertical 0°
- lift system, fittable without loss of poles
- color black
- wire entry codeable side perpendicular to plug direction



**Data sheet**  
**RP018xxVBLC Type 262**

**Technical Data**

**General Data**

Tightening torque SEV	0.5 Nm		
Tightening torque UL	4.4 lb-in		
min. number of poles	2		
max. number of poles	12		
Insulating material class	CTI 600		
clearance/creepage dist.	6.1 mm		
Protection category	IP20		
Insul. strip length	8 mm		
Rated current	13.5 A		
Overvoltage category	III	III	II
Pollution degree	3	2	2
Rated voltage	400 V	1000 V	1000 V
Rated test voltage	6 kV	6 kV	6 kV

**Terminal data**

rat.wiring solid AWGmax	0.08 mm <sup>2</sup> - 2.5 mm <sup>2</sup> / AWG 28 - AWG 12		
rat.wiring strand.AWGmax	0.08 mm <sup>2</sup> - 2.5 mm <sup>2</sup> / AWG 28 - AWG 12		

**Approvals**

extended wiring UL	2 AWG 16-18, or 1 AWG 16 stranded with 1 AWG 18 solid, or 1 AWG 16 stranded with 1 AWG 18 stranded (up to 12 A)		
--------------------	---	--	--



V / A / AWG

300 / 15 / 28 - 12

approval UL - File No.

E121004



500 V / 6 kV / 13.5 A

**Material**

insulating material	PA66
flammability class	V0
contact material	CuSn
Contact surface	Sn
terminal body thread	M3
terminal body material	CuZnPb
terminal body surface	Ni



# Data sheet

## RP018xxVBLC Type 262

Page 3/6

P/N  
312621xx

xx=number of poles

2026/03/24

Version: G

### Technical Data

screw thread	M3
screw material	8,8
screw surface	Zn Cr(VI)-frei/free
Glow-Wire Flammability GWFI	960 °C acc. to IEC 60695-2-12
Glow-Wire Flammability GWIT	775 °C acc. to IEC 60695-2-13

### Climatic Data

upper limit temperature	105 °C
lower limit temperature	-40 °C

### general

Tolerance	ISO 2768 -mH
-----------	--------------

### Application note

This product is a standard product of METZ CONNECT. METZ CONNECT is not aware of the specific intended use of the goods by the Customer or any customers of the Customer. The Customer guarantees that it has fully and sufficiently tested the use of the goods and any product modifications, product changes or product enhancements with regard to the specific intended use in accordance with the state of the art or in any other way. At METZ CONNECT's request, the Customer shall submit and make available meaningful evidence (e.g. test and laboratory protocols, certifications, etc.).



Data sheet  
RP018xxVBLC Type 262

Page 4/6

P/N  
312621xx

xx=number of poles

2026/03/24

Version: G

## Accessories

P/N	Designation
700025-01-9	Coding star white with a group of 6 coding pins



Data sheet  
RP018xxVBLC Type 262

Page 5/6

P/N  
312621xx

xx=number of poles

2026/03/24

Version: G

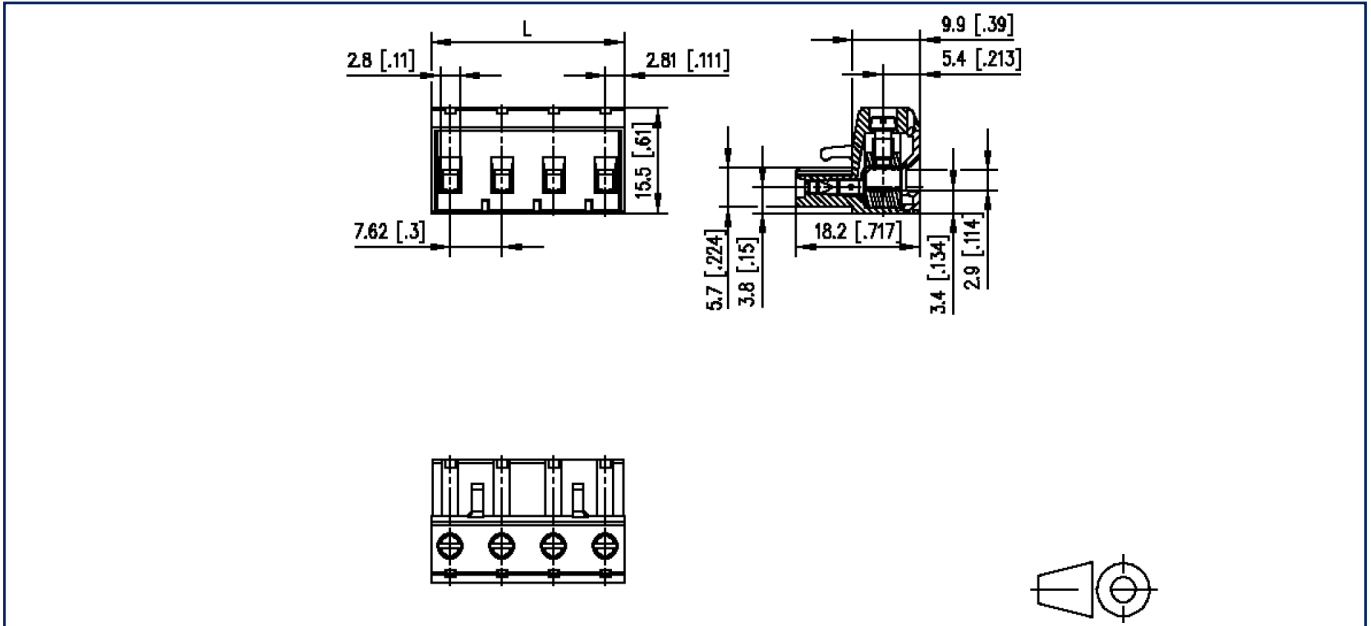
## Counterpart

P/N	Designation
PR118XXHBBN	PR118xxHBBN
PR118XXVBBN	PR118xxVBBN



### Illustrations

Dimensional drawing as an example



$L = (\text{pole size} - 1) \times \text{centerline} + 5.62 \text{ mm}$  [0.221]