

Data sheet

PT115xxHBBN Type 330

Page 1/7

P/N
313301xx

xx=number of poles

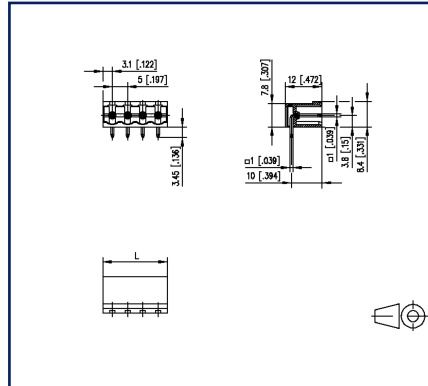
2025/08/22

Version: AA

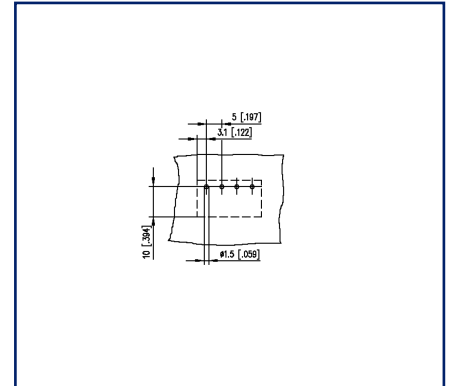
Illustrations



Dimensional drawing as an example



Drill pattern as an example



See enlarged drawings at the end of document

Product specification

- pin header, solderable
- centerline 5.00 mm, direction of connection 90°
- closed ends
- color black
- codeable



Data sheet
PT115xxHBBN Type 330

Technical Data


General Data

Solder pin length	3.45 mm		
min. number of poles	2		
max. number of poles	24		
Insulating material class	CTI 600		
clearance/creepage dist.	4 mm		
Protection category	IP00		
Rated current	10 A		
Overvoltage category	III	III	II
Pollution degree	3	2	2
Rated voltage	320 V	800 V	800 V
Rated test voltage	6 kV	6 kV	6 kV

Approvals

 V / A	300 / 16
---	----------

approval UL - File No.	E121004
------------------------	---------

	320 V / 4 kV / 13.5 A / 1.0 x 1.0 mm
---	--------------------------------------

Material

insulating material	PA66
flammability class	V0
contact pin material	CuFe
contact pin surface	Ni + Ag
Glow-Wire Flammability GWFI	960 °C acc. to IEC 60695-2-12
Glow-Wire Flammability GWIT	775 °C acc. to IEC 60695-2-13

Climatic Data

upper limit temperature	105 °C
lower limit temperature	-40 °C

general

Tolerance	ISO 2768 -mH
Solderability	Acc. to JEDEC JESD22-B102E 245°C/5s

Application note

Data sheet

Page 3/7

PT115xxHBBN Type 330

P/N

313301xx**xx=number of poles**

2025/08/22

Version: AA

Technical Data

This product is a standard product of METZ CONNECT. METZ CONNECT is not aware of the specific intended use of the goods by the Customer or any customers of the Customer. The Customer guarantees that it has fully and sufficiently tested the use of the goods and any product modifications, product changes or product enhancements with regard to the specific intended use in accordance with the state of the art or in any other way. At METZ CONNECT's request, the Customer shall submit and make available meaningful evidence (e.g. test and laboratory protocols, certifications, etc.).



Data sheet
PT115xxHBBN Type 330

Page 4/7

P/N
313301xx

xx=number of poles

2025/08/22

Version: AA

Accessories

P/N	Designation
700024-01-9	Coding star white
700523-0157	Geh_Kappe_swg_Block



Data sheet
PT115xxHBBN Type 330

Page 5/7

P/N
313301xx

xx=number of poles

2025/08/22

Version: AA

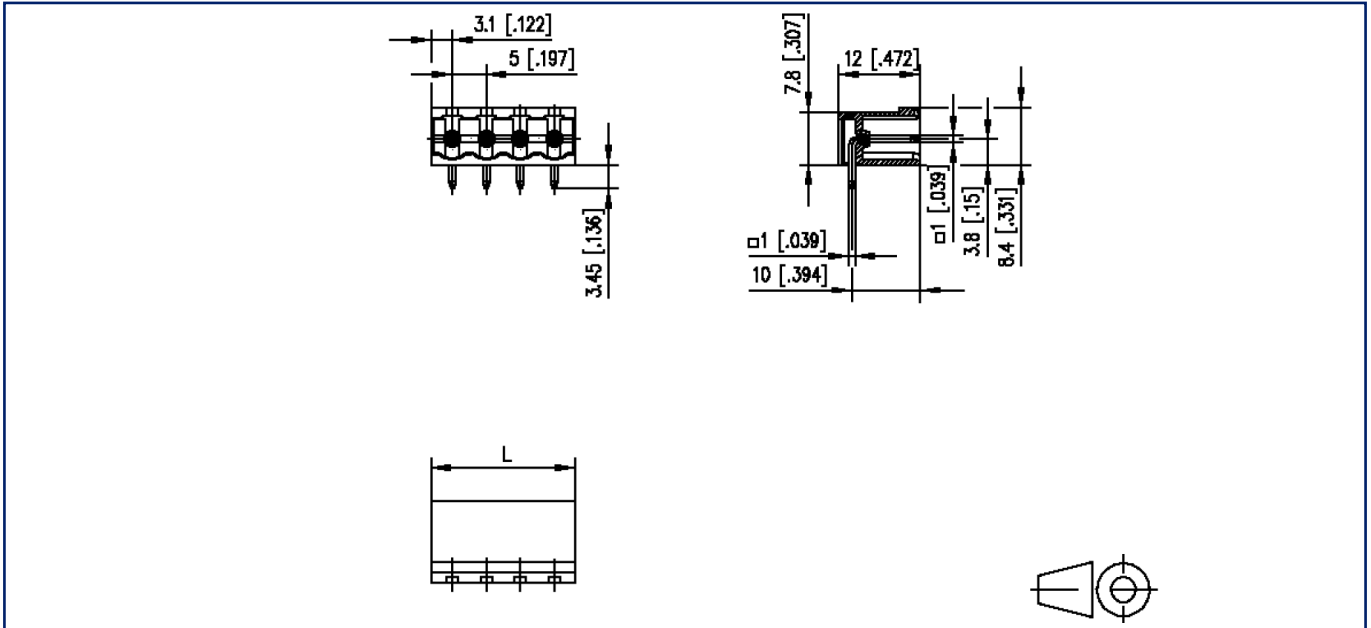
Counterpart of

P/N	Designation
313131	RP035xxHBLC Type 313
313141	RP035xxHBLD Type 314
31314103-08	RP035xxHBLD Typ 314
31314103-09	RP035xxHBLD Typ 314
313491	RP015xxVBLC Type 349
313501	RP015xxSBLC Type 350
ASP045	SP045xxVBNC ASP045
ASP0450222	SP045xxVBNC ASP045
ASP0450322	SP045xxVBNC ASP045
ASP0450422	SP045xxVBNC ASP045
ASP0450522	SP045xxVBNC ASP045
ASP0450622	SP045xxVBNC ASP045
ASP0450722	SP045xxVBNC ASP045
ASP0450822	SP045xxVBNC ASP045
ASP0450922	SP045xxVBNC ASP045
ASP0451022	SP045xxVBNC ASP045
ASP0451222	SP045xxVBNC ASP045
SP065XXVBNC	SP065xxVBNC
SP065XXVBPC	SP065xxVBPC
SP995XXVBNC	SP995xxVBNC

Data sheet
PT115xxHBBN Type 330

Illustrations

Dimensional drawing as an example



$$L = (\text{pole size} - 1) \times \text{centerline} + 6.2 \text{ mm} [0.244]$$

Data sheet
PT115xxHBBN Type 330

Page 7/7

P/N
313301xx

xx=number of poles

2025/08/22

Version: AA

Illustrations

Drill pattern as an example

