

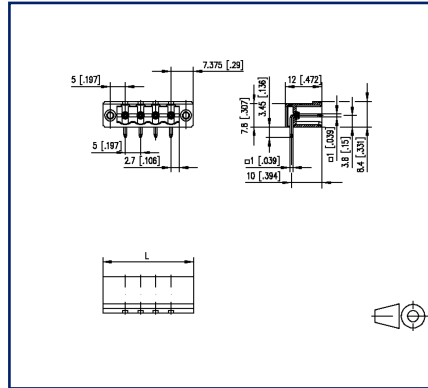
# Data sheet

## PT115xxHBBF Type 336

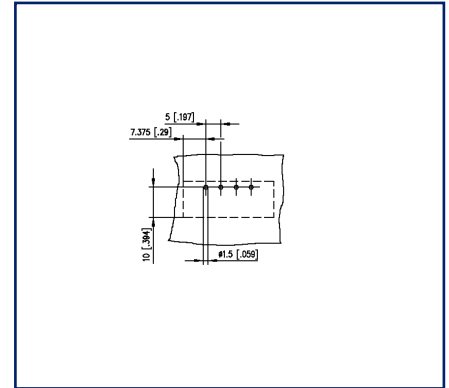
### Illustrations



Dimensional drawing as an example



Drill pattern as an example



See enlarged drawings at the end of document

### Product specification

- pin header, solderable
- centerline 5.00 mm, direction of connection 90°
- closed ends
- color black, mounting flange
- codeable





### Technical Data

#### General Data

Solder pin length	3.45 mm		
min. number of poles	2		
max. number of poles	24		
Insulating material class	CTI 600		
clearance/creepage dist.	4 mm		
Protection category	IP00		
Rated current	10 A		
Overvoltage category	III	III	II
Pollution degree	3	2	2
Rated voltage	320 V	800 V	800 V
Rated test voltage	6 kV	6 kV	6 kV

#### Approvals

 V / A	300 / 15
approval UL - File No.	E121004
 1.5 mm <sup>2</sup>	320 V / 4 kV / 13.5 A / 1.0 x 1.0 mm

#### Material

insulating material	PA66
flammability class	V0
contact pin material	CuFe
contact pin surface	Ni + Ag
Thread insert	CuZnPb
Glow-Wire Flammability GWFI	960 °C acc. to IEC 60695-2-12
Glow-Wire Flammability GWIT	775 °C acc. to IEC 60695-2-13

#### Climatic Data

upper limit temperature	105 °C
lower limit temperature	-40 °C

#### general

Tolerance	ISO 2768 -mH
Solderability	Acc. to JEDEC JESD22-B102E 245°C/5s

#### Application note

# U | Contact

Data sheet

**PT115xxHBBF Type 336**

Page 3/7

P/N

**313361xx**

**xx=number of poles**

2024/12/05

Version: Z

## Technical Data

This product is a standard product of METZ CONNECT. METZ CONNECT is not aware of the specific intended use of the goods by the Customer or any customers of the Customer. The Customer guarantees that it has fully and sufficiently tested the use of the goods and any product modifications, product changes or product enhancements with regard to the specific intended use in accordance with the state of the art or in any other way. At METZ CONNECT's request, the Customer shall submit and make available meaningful evidence (e.g. test and laboratory protocols, certifications, etc.).



# U | Contact

Data sheet  
**PT115xxHBBF Type 336**

Page 4/7

P/N  
**313361xx**

**xx=number of poles**

2024/12/05

Version: Z

## Accessories

P/N	Designation
700024-01-9	Coding star white
700523-0157	Geh_Kappe_swg_Block



# U | Contact

Data sheet

**PT115xxHBBF Type 336**

Page 5/7

P/N

**313361xx**

**xx=number of poles**

2024/12/05

Version: Z

## Counterpart of

P/N	Designation
313511	RP015xxVBLF Type 351
ASP125	SP125xxVBNN ASP125
SP065XXVBNF	SP065xxVBNF
SP065XXVBPF	SP065xxVBPF

# U | Contact

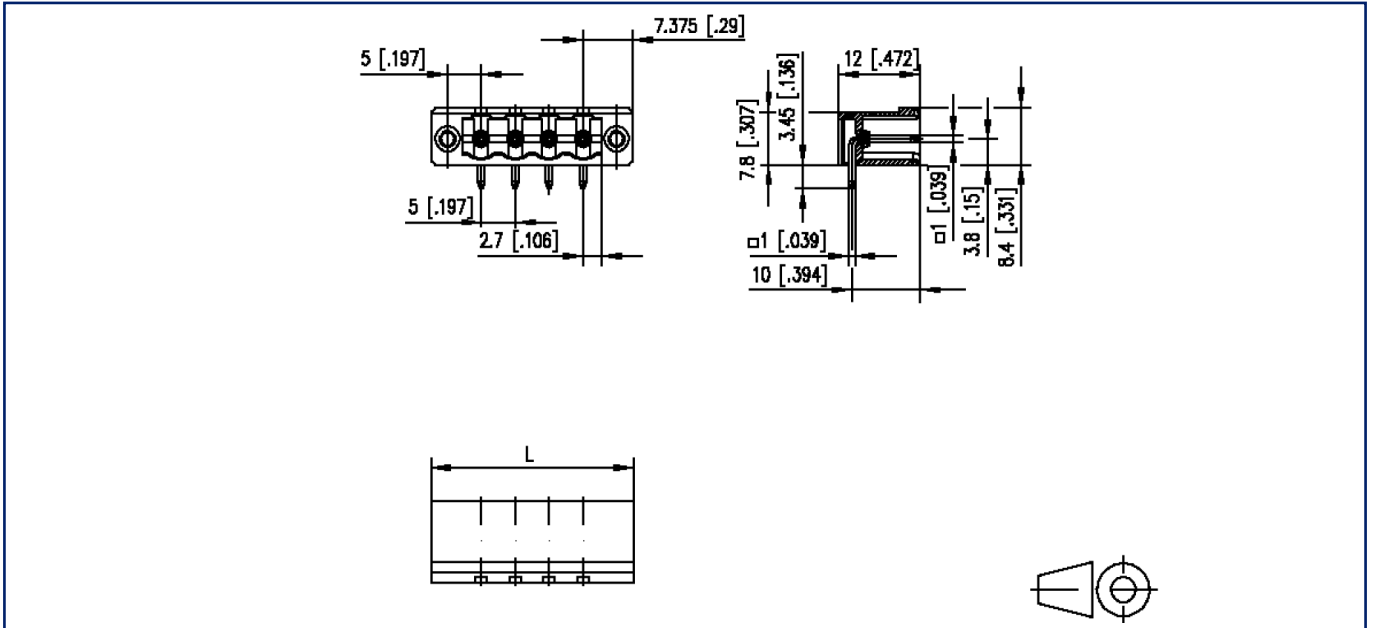
Data sheet  
**PT115xxHBBF Type 336**

Page 6/7

P/N  
**313361xx**  
**xx=number of poles**  
 2024/12/05  
 Version: Z

## Illustrations

Dimensional drawing as an example



$L = (\text{pole size} - 1) \times \text{centerline} + 14.75 \text{ mm} [0.581]$



## Illustrations

Drill pattern as an example

