

# Data sheet

## RT033xxHBLU Type 359

Page 1/5

P/N  
313591xx

xx=number of poles

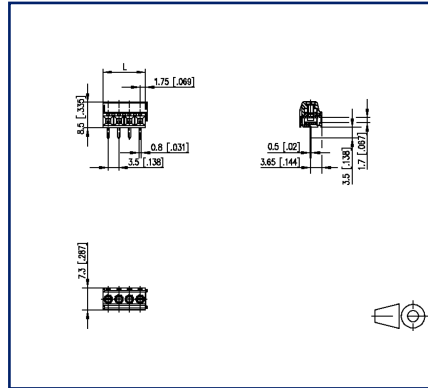
2025/08/22

Version: AG

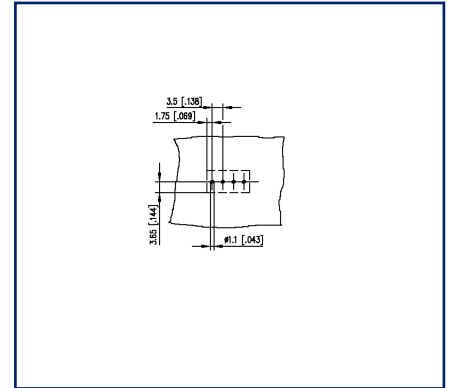
### Illustrations



Dimensional drawing as an example



Drill pattern as an example



See enlarged drawings at the end of document

### Product specification

- screw type terminal block, solderable
- centerline 3.50 mm, direction of connection 90°
- lift system, modular
- color black
- Tape & Reel packaging possible
- Max. recommended number of poles: 16



**Data sheet**  
**RT033xxHBLU Type 359**

**Technical Data**


**General Data**

Tightening torque SEV	0.15 Nm		
Tightening torque UL	1.3 lb-in		
Solder pin length	3.5 mm		
min. number of poles	2		
max. number of poles	4		
Insulating material class	CTI 600		
clearance/creepage dist.	1.7 mm		
Protection category	IP00		
Insul. strip length	5 mm		
Rated current	12 A		
Overvoltage category	III	III	II
Pollution degree	3	2	2
Rated voltage	40 V	250 V	250 V
Rated test voltage	2.5 kV	2.5 kV	2.5 kV

**Terminal data**

rat.wiring solid AWGmax	0.2 mm <sup>2</sup> - 1.5 mm <sup>2</sup> / AWG 26 - AWG 16		
rat.wiring strand.AWGmax	0.2 mm <sup>2</sup> - 1.5 mm <sup>2</sup> / AWG 26 - AWG 16		

**Approvals**

 V / A / AWG	150 / 10 / 28 - 16		
---	--------------------	--	--

approval UL - File No.	E121004		
------------------------	---------	--	--

	130 V / 12 A / T60		
---	--------------------	--	--

**Material**

insulating material	PA66		
flammability class	V0		
contact material	CuZnPb		
Contact surface	Sn		
terminal body thread	M2		
terminal body material	CuZnPb		
terminal body surface	Ni		
screw thread	M2		

# Data sheet

## RT033xxHBLU Type 359

Page 3/5

P/N  
313591xx

xx=number of poles

2025/08/22

Version: AG

### Technical Data

screw material	8,8
screw surface	Zn Cr(VI)-frei/free
Glow-Wire Flammability GWFI	960 °C acc. to IEC 60695-2-12
Glow-Wire Flammability GWIT	775 °C acc. to IEC 60695-2-13

### Climatic Data

upper limit temperature	125 °C
lower limit temperature	-40 °C

### general

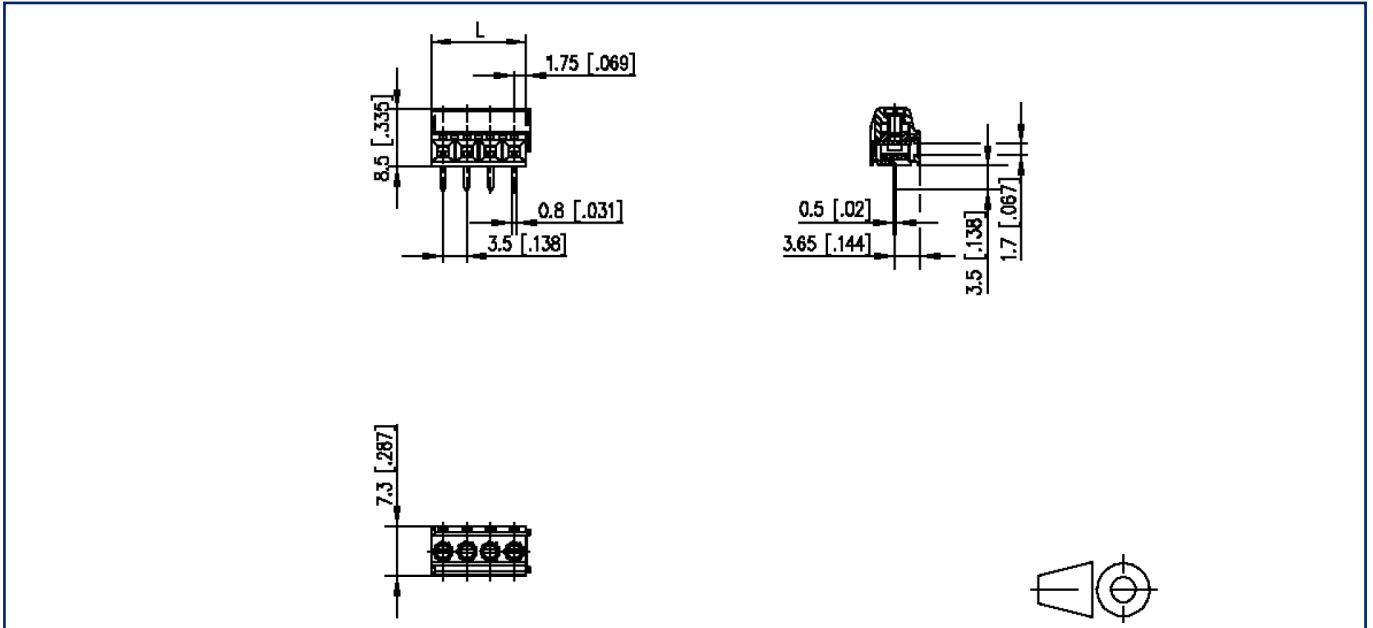
Tolerance	ISO 2768 -mH
Solderability	Acc. to JEDEC JESD22-B102E 245°C/5s

### Application note

This product is a standard product of METZ CONNECT. METZ CONNECT is not aware of the specific intended use of the goods by the Customer or any customers of the Customer. The Customer guarantees that it has fully and sufficiently tested the use of the goods and any product modifications, product changes or product enhancements with regard to the specific intended use in accordance with the state of the art or in any other way. At METZ CONNECT's request, the Customer shall submit and make available meaningful evidence (e.g. test and laboratory protocols, certifications, etc.).

### Illustrations

Dimensional drawing as an example



$L = (\text{pole size} - 1) \times \text{centerline} + 3.5 \text{ mm } [0.138]$

Data sheet  
**RT033xxHBLU Type 359**

Page 5/5

P/N  
**313591xx**

xx=number of poles

2025/08/22

Version: AG

**Illustrations**

Drill pattern as an example

