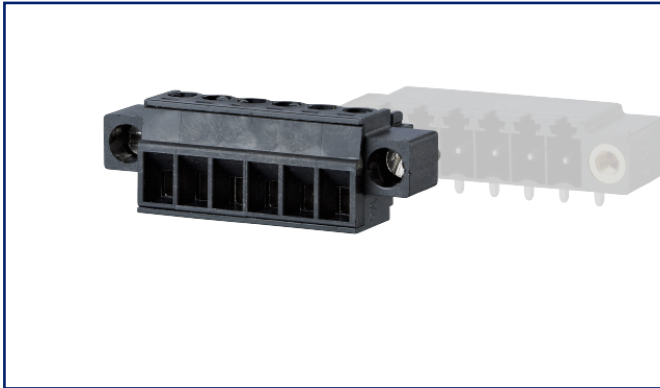


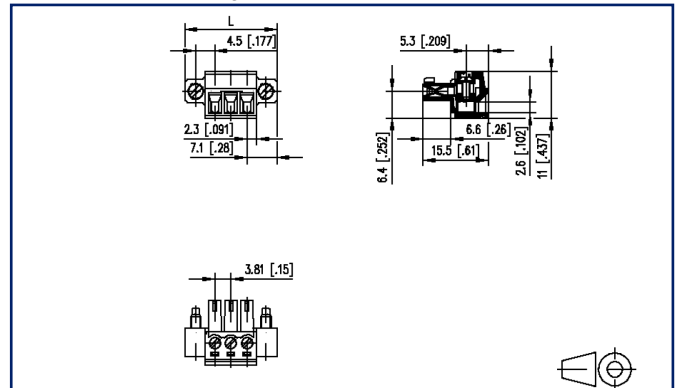
Data sheet

RP034xxVBLF Type 379

Illustrations



Dimensional drawing



See enlarged drawings at the end of document

Product specification

- screw type terminal block, pluggable
- centerline 3.81 mm, direction of connection vertical 0°
- lift system
- color black, mounting flange
- wire entry codeable side perpendicular to plug direction



Technical Data



General Data

Tightening torque SEV	0.25 Nm		
Tightening torque UL	2.2 lb-in		
min. number of poles	2		
max. number of poles	24		
Insulating material class	CTI 600		
clearance/creepage dist.	3.5 mm		
Protection category	IP20		
Min. insul. strip length	7 mm		
Rated current	8 A		
Overvoltage category	III	III	II
Pollution degree	3	2	2
Rated voltage	40 V	250 V	250 V
Rated test voltage	1.5 kV	1.5 kV	1.5 kV

Terminal data

rat.wiring solid AWGmax	0.08 mm ² - 1.5 mm ² / AWG 28 - AWG 16		
rat.wiring strand.AWGmax	0.08 mm ² - 1.5 mm ² / AWG 22 - AWG 16		

Approvals

 V / A / AWG	300 / 8 / 28 - 16		
approval UL - File No.	E121004		
 1.5 mm ²	160 V / 2.5 kV / 9 A		

Material

insulating material	PA66
flammability class	V0
contact material	CuSn
Contact surface	Sn
terminal body thread	M2
terminal body material	CuZnPb
terminal body surface	Ni
screw thread	M2
screw material	8,8

Technical Data

screw surface	Zn Cr(VI)-frei/free
Glow-Wire Flammability GWFI	960 °C acc. to IEC 60695-2-12
Glow-Wire Flammability GWIT	775 °C acc. to IEC 60695-2-13

Climatic Data

upper limit temperature	105 °C
lower limit temperature	-40 °C

general

Tolerance	ISO 2768 -mH
-----------	--------------

U | Contact

Data sheet
RP034xxVBLF Type 379

Page 4/5

P/N
313791xx

xx=number of poles

2023/06/28

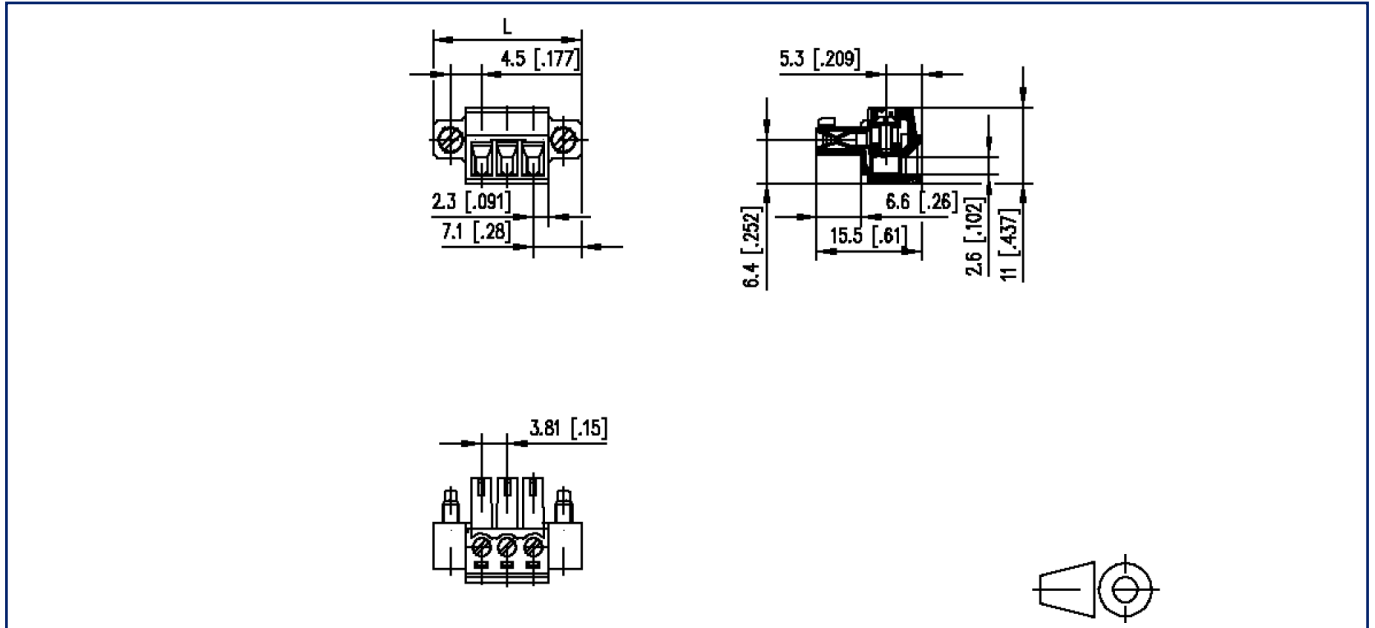
Version: V

Counterpart

P/N	Designation
313901	PR044xxHBBF Type 390
313911	PR044xxVBBF Type 391
313921	PT094xxHBBF Type 392
313931	PT094xxVBBF Type 393

Illustrations

Dimensional drawing



$L = (\text{pole size} - 1) \times \text{centerline} + 14.2 \text{ mm} [0.559]$