

# Data sheet

## PT094xxHBBF Type 392

Page 1/7

P/N  
313921xx

xx=number of poles

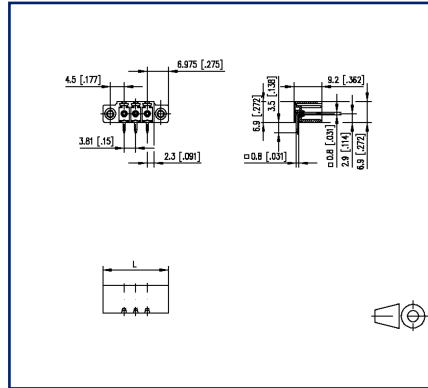
2025/08/22

Version: W

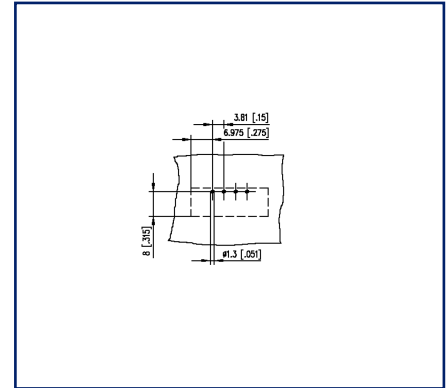
### Illustrations



Dimensional drawing as an example



Drill pattern as an example



See enlarged drawings at the end of document

### Product specification

- pin header, solderable
- centerline 3.81 mm, direction of connection 90°
- closed ends
- color black, mounting flange
- codeable



**Data sheet**  
**PT094xxHBBF Type 392**

**Technical Data**

**General Data**

Solder pin length	3.5 mm		
min. number of poles	2		
max. number of poles	24		
Insulating material class	CTI 600		
clearance/creepage dist.	3.01 mm		
Protection category	IP00		
Rated current	9 A		
Overvoltage category	III	III	II
Pollution degree	3	2	2
Rated voltage	200 V	500 V	500 V
Rated test voltage	4 kV	4 kV	4 kV

**Approvals**

 V / A	300 / 8
---	---------

approval UL - File No.	E121004
------------------------	---------

	160 V / 2.5 kV / 9 A / 0.8 x 0.8 mm
---	-------------------------------------

**Material**

insulating material	PA66
flammability class	V0
contact pin material	CuFe
contact pin surface	Ni + Sn
Thread insert	CuZnPb
Glow-Wire Flammability GWFI	960 °C acc. to IEC 60695-2-12
Glow-Wire Flammability GWIT	775 °C acc. to IEC 60695-2-13

**Climatic Data**

upper limit temperature	105 °C
lower limit temperature	-40 °C

**general**

Tolerance	ISO 2768 -mH
Solderability	Acc. to JEDEC JESD22-B102E 245°C/5s

**Application note**

Data sheet

Page 3/7

**PT094xxHBBF Type 392**

P/N

**313921xx****xx=number of poles**

2025/08/22

Version: W

## Technical Data

This product is a standard product of METZ CONNECT. METZ CONNECT is not aware of the specific intended use of the goods by the Customer or any customers of the Customer. The Customer guarantees that it has fully and sufficiently tested the use of the goods and any product modifications, product changes or product enhancements with regard to the specific intended use in accordance with the state of the art or in any other way. At METZ CONNECT's request, the Customer shall submit and make available meaningful evidence (e.g. test and laboratory protocols, certifications, etc.).



Data sheet  
**PT094xxHBBF Type 392**

Page 4/7

P/N  
313921xx

xx=number of poles

2025/08/22

Version: W

## Accessories

P/N	Designation
720293-01-2	Coding Star for pin header, centerline 3.81 mm



Data sheet

Page 5/7

**PT094xxHBBF Type 392**

P/N

**313921xx****xx=number of poles**

2025/08/22

Version: W

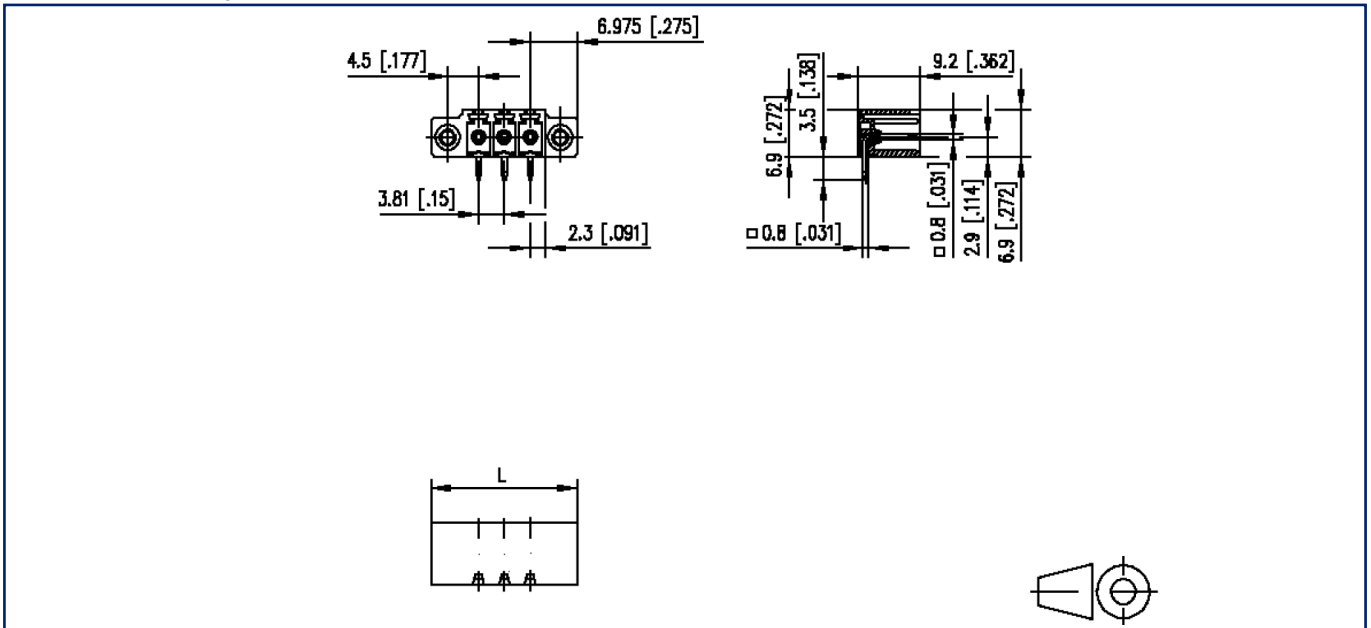
**Counterpart of**

P/N	Designation
313791	RP034xxVBLF Type 379
ASP084	SP064xxVGNF ASP084



### Illustrations

Dimensional drawing as an example



$L = (\text{pole size} - 1) \times \text{centerline} + 13.95 \text{ mm} [0.549]$

Data sheet  
**PT094xxHBBF Type 392**

Page 7/7

P/N  
**313921xx**  
xx=number of poles  
2025/08/22  
Version: W

## Illustrations

Drill pattern as an example

