

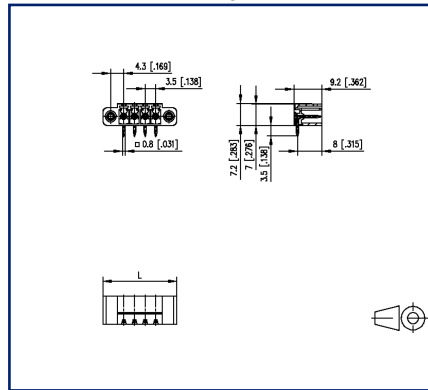
Data sheet

PT093xxHBBF Type 394

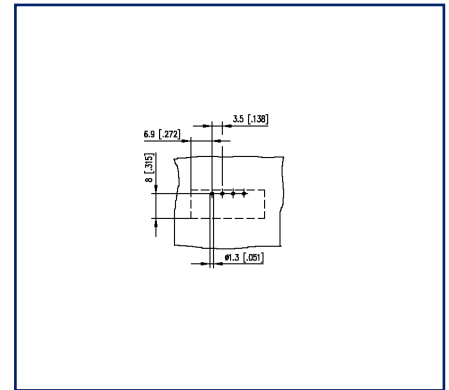
Illustrations



Dimensional drawing



Drill pattern



See enlarged drawings at the end of document

Product specification


- pin header, solderable
- centerline 3.50 mm, direction of connection 90°
- closed ends
- color black, mounting flange
- codeable

Technical Data

General Data

Solder pin length	3.5 mm		
min. number of poles	2		
max. number of poles	16		
Insulating material class	CTI 600		
clearance/creepage dist.	2.7 mm		
Protection category	IP00		
Rated current	12 A		
Overvoltage category	III	III	II
Pollution degree	3	2	2
Rated voltage	200 V	500 V	500 V
Rated test voltage	2.5 kV	2.5 kV	2.5 kV

Approvals

V / A	300 / 8		
 1.5 mm ²	125 V / 2.5 kV / 9 A / 0.8 x 0.8 mm		

Material

insulating material	PA66
flammability class	V0
contact pin material	CuMg
contact pin surface	Ni + Sn
Thread insert	CuZnPb
Glow-Wire Flammability GWFI	960 °C acc. to IEC 60695-2-12
Glow-Wire Flammability GWIT	775 °C acc. to IEC 60695-2-13

Climatic Data

upper limit temperature	105 °C
lower limit temperature	-40 °C

general

Tolerance	ISO 2768 -mH
Solderability	Acc. to JEDEC JESD22-B102E 245°C/5s

U | Contact

Data sheet

PT093xxHBBF Type 394

Page 3/6

P/N

313941xx

xx=number of poles

2023/06/28

Version: AB

Accessories

P/N	Designation
700353-01-1216	LED-light transmitter for headers, pluggable
700353-02-1216	LED-light transmitter for headers, pluggable
700353-03-1216	LED-light transmitter for headers, pluggable
720293-01-2	Coding Star for pin header, centerline 3.81 mm



U | Contact

Data sheet

PT093xxHBBF Type 394

Page 4/6

P/N

313941xx

xx=number of poles

2023/06/28

Version: AB

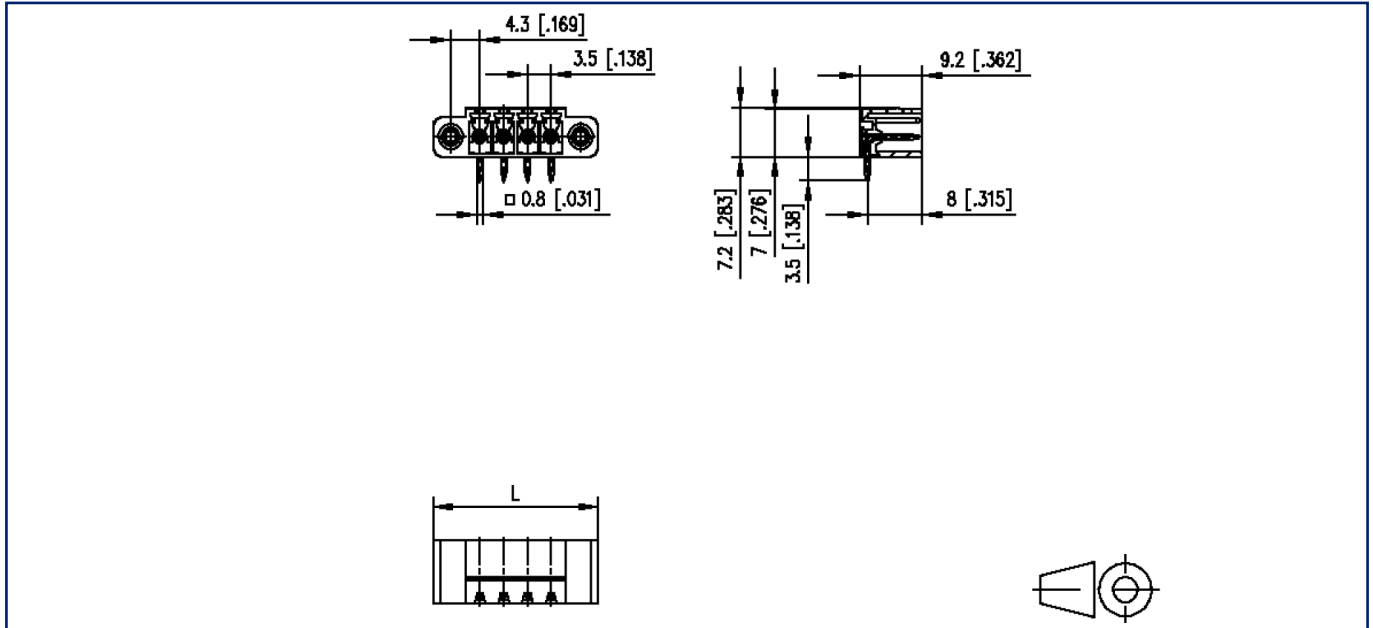
Counterpart of

P/N	Designation
316331	RP043xxHBL5 Typ 633
316341	RP043xxHBLF Typ 634
ASP083	SP063xxVGNF ASP083



Illustrations

Dimensional drawing



$L = (\text{pole size} - 1) \times \text{centerline} + 13.8 \text{ mm} [0.543]$

Illustrations

Drill pattern

