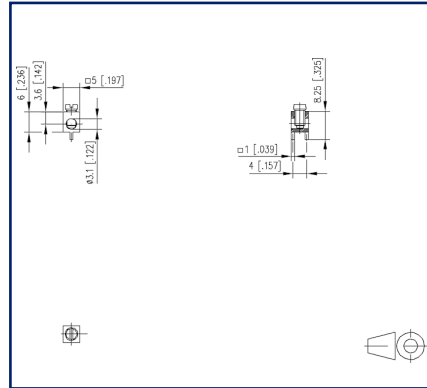


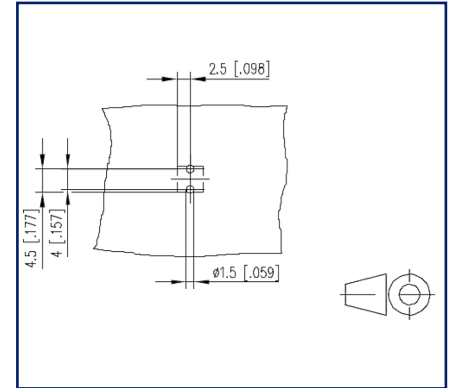
Illustrations



Dimensional drawing



Drill pattern



See enlarged drawings at the end of document

Product specification

- screw type terminal block, THR solderable, double solder pins
- direction of connection 90°
- color metallike
- Tape & Reel packaging
- open construction, screw brought down by hand (transport safety)



Technical Data

General Data

Tightening torque SEV	0.5 Nm
Tightening torque UL	4.4 lb-in
Solder pin length	2.25 mm
min. number of poles	1
max. number of poles	1
Protection category	IP00
Rated current	16 A

Terminal data

rat.wiring solid AWGmax	0.5 mm ² - 2.5 mm ² / AWG 30 - AWG 12
rat.wiring strand.AWGmax	0.5 mm ² - 2.5 mm ² / AWG 30 - AWG 12

Material

terminal body thread	M3
terminal body material	CuZnPb
terminal body surface	Ni + Sn
screw thread	M3
screw material	8,8
screw surface	Zn Cr(VI)-frei/free

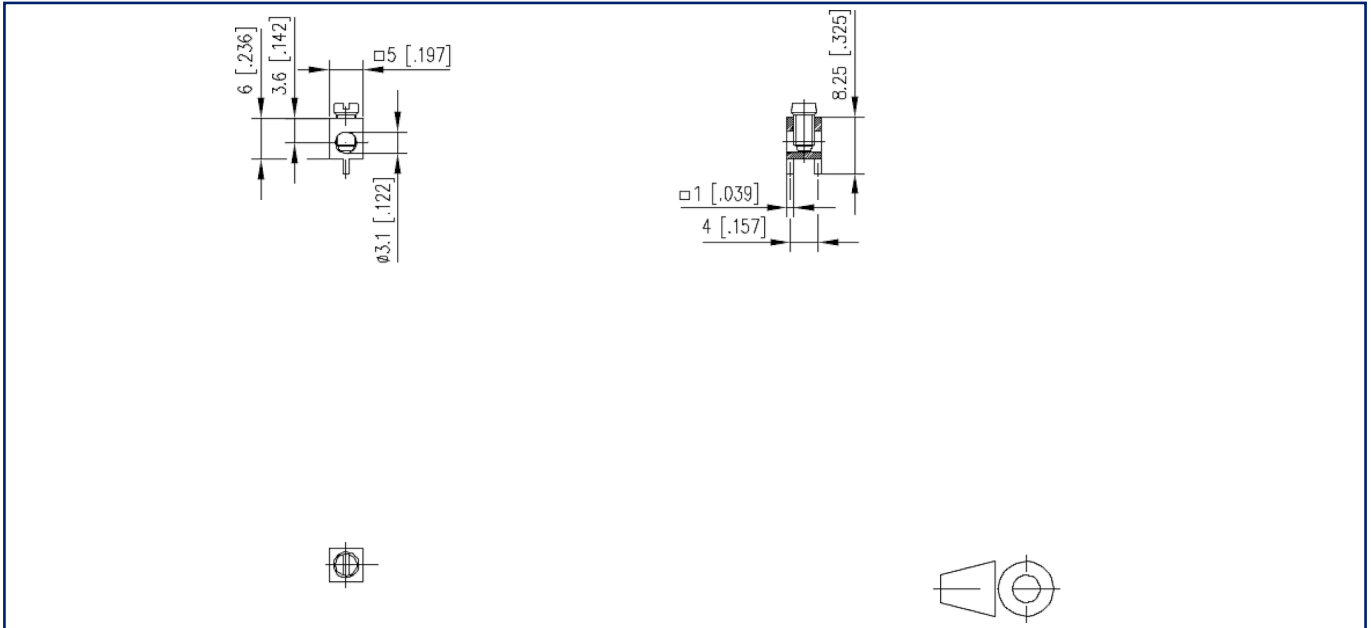
general

Tolerance	ISO 2768 -mH
Solderability	Acc. to IPC/JEDEC J-STD-020D-MSL 1



Illustrations

Dimensional drawing



Drill pattern

