

Data sheet**M12 screw plug for jacks IP54**

Page 1/4

P/N
700701

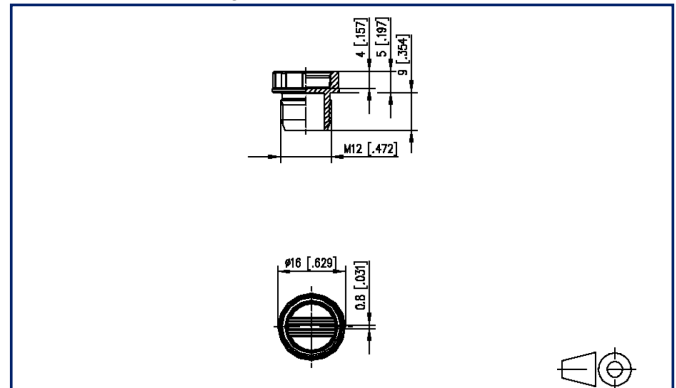
EAN 4250184169413

2024/08/20

Version: H

Illustrations

Dimensional drawing



See enlarged drawings at the end of document

Product specification

- Safety-stopper M12x1
- for female connector
- screwable
- black, similar RAL9005



P | Cabling

Data sheet

Page 2/4

M12 screw plug for jacks IP54

P/N

700701

EAN 4250184169413

2024/08/20

Version: H

Technical Data

General Data

Mechanical measurement according to MICE	M1
Ingress measurement according to MICE	I1
Climatic measurement according to MICE	C1
Electromagnetic measurement according to MICE	E3
Design	Dust protection
Mounting style	Accessories
Color	black
Dimensions	
Dimension (L x W x H)	14 mm x 16 mm x 16 mm
Dimension (L x W x H)	0.551 in. x 0.63 in. x 0.63 in.

Mechanical data

Mounting method	screwable
-----------------	-----------

Materials and material properties

Halogen free	yes
RoHS	compliant

Environmental conditions

Particulate ingress	IP5X
Liquid ingress/immersion	IPX4

Classifications

ETIM 7.0	EC000723
ETIM 8.0	EC000723
ETIM 9.0	EC000723

Packing details

Type of packaging	1 pc(s) / plastic bag
-------------------	-----------------------

Application note

This product is a standard product of METZ CONNECT. METZ CONNECT is not aware of the specific intended use of the goods by the Customer or any customers of the Customer. The Customer guarantees that it has fully and sufficiently tested the use of the goods and any product modifications, product changes or product enhancements with regard to the specific intended use in accordance with the state of the art or in any other way. At METZ CONNECT's request, the Customer shall submit and make available meaningful evidence (e.g. test and laboratory protocols, certifications, etc.).

P | Cabling

Data sheet

Page 3/4

M12 screw plug for jacks IP54

P/N

700701

EAN 4250184169413

2024/08/20

Version: H

Accessories from

P/N	Designation
MMF881A315-DNV	M12 jack X-coded IP67, field assembly DNV
MMF881A315-DNV1	M12 jack X-coded IP67, field assembly with flange DNV
MMT361A315	PC board jack M12, X-coded, 8-pole, IP67
MMT361A315-0001	PC board jack M12, X-coded, 8-pole, IP67, in individual parts
MMT361A315-0009	PC board jack M12, X-coded, 8-pole, IP67 in unmated condition, potted
MMT371A3B5	PC board jack M12, X-coded, 8-pole, IP67, rear mounting
MMT371A3B5-0001	PC board jack M12, X-coded, 8-pole, IP67, rear mounting, in individual parts
MMT371A3B5-0009	PC board jack M12, X-coded, 8-pole, rear mounting, IP67 in unmated condition, potted
MMT471A115	PC board jack M12, D-coded, 4-pole, IP67, 90° angled, max. 2.5 mm wall thickness
MMT471A115-0001	PC board jack M12, D-coded, 4-pole, IP67, 90° angled, max. 4 mm wall thickness
MMT471A115-0002	PC board jack M12, D-coded, 4-pole, IP67, 90° angled, max. 5 mm wall thickness
MMT471A315	PC board jack M12, X-coded, 8-pole, IP67, 90° angled, max. 2.5 mm wall thickness
MMT471A315-0001	PC board jack M12, X-coded, 8-pole, IP67, 90° angled, max. 4 mm wall thickness
MMT471A315-0002	PC board jack M12, X-coded, 8-pole, IP67, 90° angled, max. 5 mm wall thickness
MMT471A315-0003	PC board jack M12, X-coded, 8-pole, IP67, 90° angled, max. 2.5 mm wall thickness, in individual parts
MMT471A315-0004	PC board jack M12, X-coded, 8-pole, IP67, 90° angled, max. 4 mm wall thickness, in individual parts
MMT471A315-0005	PC board jack M12, X-coded, 8-pole, IP67, 90° angled, max. 5 mm wall thickness, in individual parts
MMW360A1A1	PC board jack M12, D-coded, 4-pole, IP67, front mounting
MMW370A1A1	PC board jack M12, D-coded, 4-pole, IP67, through hole mounting
MWN811A415	M12 Panel feed through adapters, X-coded, to RJ45 - straight
MWN911A415	M12 Panel feed through adapters, X-coded, to RJ45 - angled

P | Cabling

Data sheet

M12 screw plug for jacks IP54

Page 4/4

P/N

700701

EAN 4250184169413

2024/08/20

Version: H

Illustrations

Dimensional drawing

