

# Data sheet

## SM01W01VXNN03G1 7-inches Reel solder pad/component side

P/N  
ASM01W0164-3G16

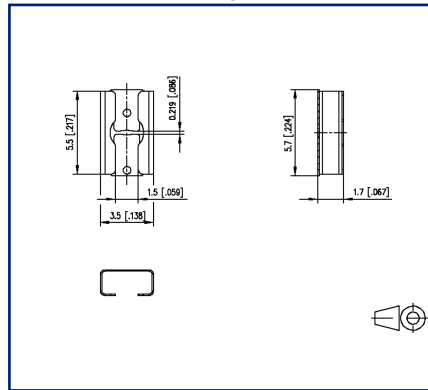
2025/08/25

Version: W

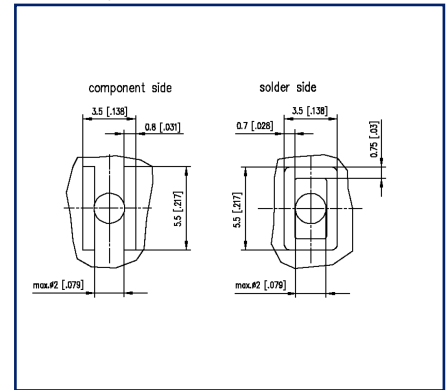
### Illustrations



Dimensional drawing as an example



PCB-Layout



See enlarged drawings at the end of document

### Product specification

- spring clamp terminal block, SMT solderable
- one-way contact
- direction of connection vertical 0°
- Tape & Reel packaging



**SM01W01VXNN03G1 7-inches Reel solder pad/component side**

P/N  
ASM01W0164-3G16

2025/08/25

Version: W

**Technical Data**

**General Data**

min. number of poles	1
max. number of poles	1
Protection category	IP00
Insul. strip length	4 mm
Rated current	13 A

**Terminal data**

rat.wiring solid AWGmax	0.1 mm <sup>2</sup> - 0.75 mm <sup>2</sup> / AWG 26 - AWG 18
-------------------------	--

**Material**

contact material	CuBe
Contact surface	Ni + Sn

**Climatic Data**

upper limit temperature	150 °C
lower limit temperature	-40 °C

**general**

Tolerance	ISO 2768 -mH
Solderability	Acc. to IPC/JEDEC J-STD-020D-MSL 1

**Sicherheitshinweis**

Safety instructions	Components have to be fixed in a way to prevent any transmission of forces on to the contact. Components with more than one pin are recommended.
---------------------	--

**Application note**

This product is a standard product of METZ CONNECT. METZ CONNECT is not aware of the specific intended use of the goods by the Customer or any customers of the Customer. The Customer guarantees that it has fully and sufficiently tested the use of the goods and any product modifications, product changes or product enhancements with regard to the specific intended use in accordance with the state of the art or in any other way. At METZ CONNECT's request, the Customer shall submit and make available meaningful evidence (e.g. test and laboratory protocols, certifications, etc.).

© 2025 METZ CONNECT - Technische Änderungen vorbehalten! Subject to modifications! Sous réserve de modifications techniques!

Data sheet

Page 3/5

# SM01W01VXNN03G1 7-inches Reel solder pad/component side

P/N  
ASM01W0164-3G16

2025/08/25  
Version: W

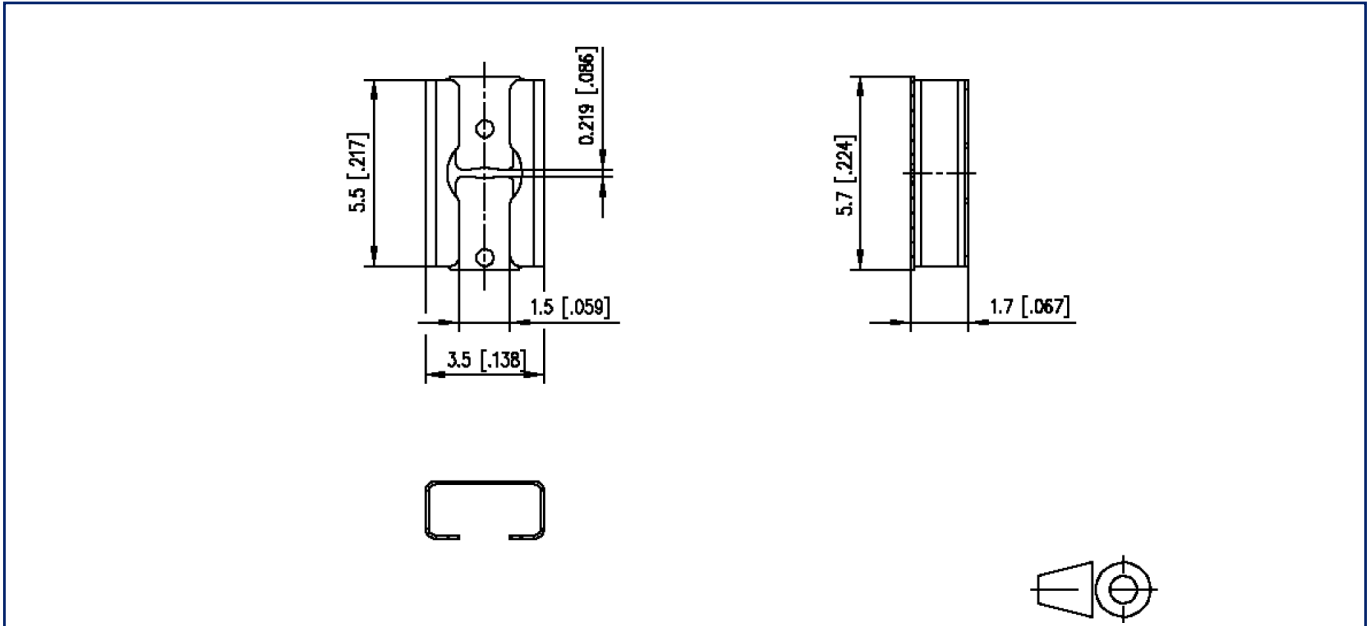
## Counterpart

P/N	Designation
709023	Tape_ASM01Y_16mm K03547 Tape_ASM01Y_16mm

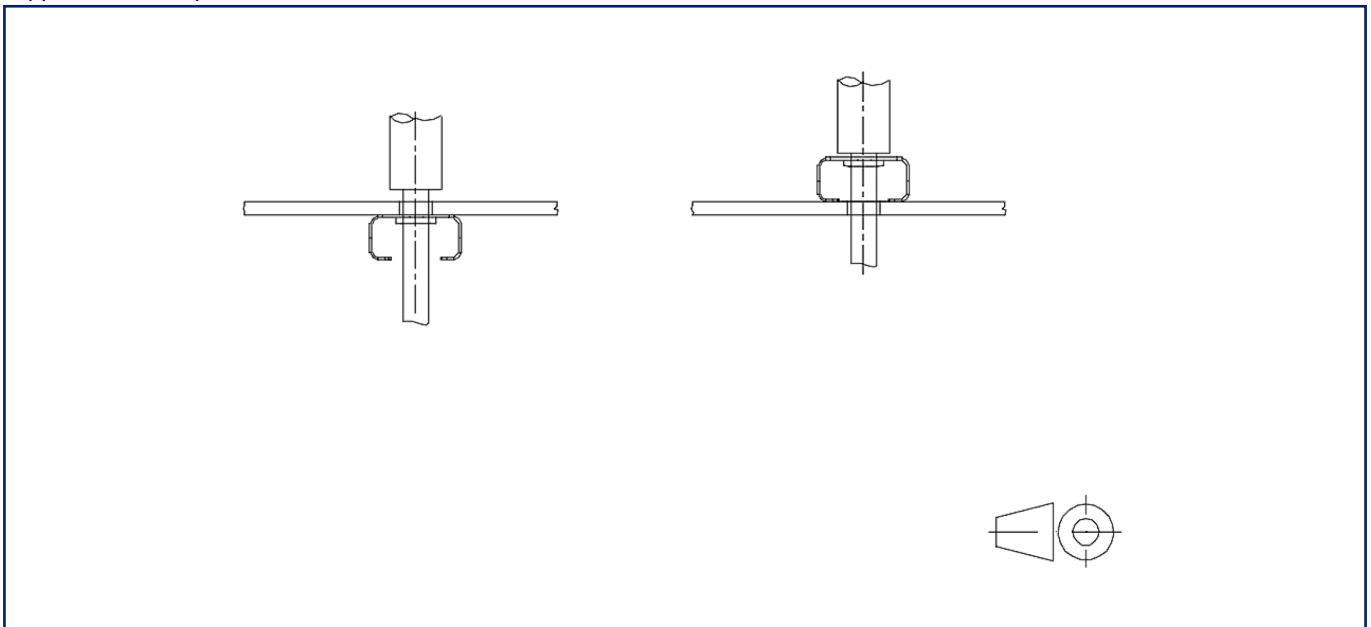


**Illustrations**

Dimensional drawing as an example



Application example



**Illustrations**

PCB-Layout

