

Data sheet

SP051xxVGNN ASP051

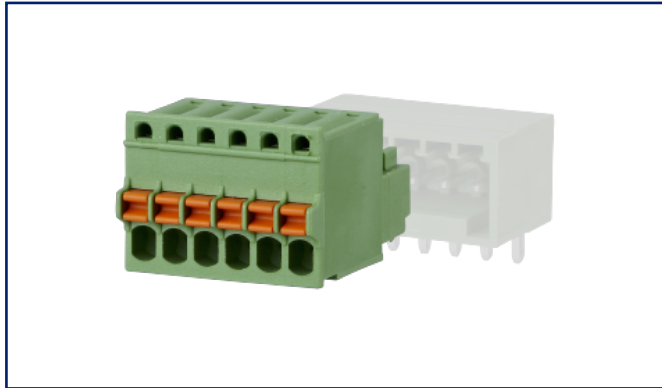
P/N
ASP051xx

xx=number of poles

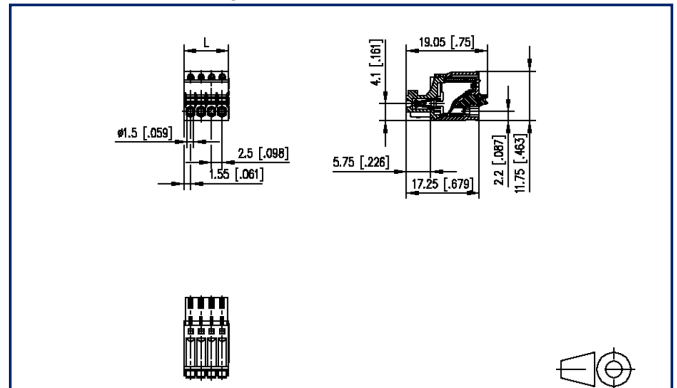
2024/05/23

Version: T

Illustrations



Dimensional drawing





See enlarged drawings at the end of document

Product specification

- spring clamp terminal block, pluggable
- centerline 2.50 mm, direction of connection vertical 0°
- color green
- push-button, wire entry uncodeable side parallel to plug direction



Technical Data

General Data			
min. number of poles	2		
max. number of poles	12		
Insulating material class	CTI 600		
clearance/creepage dist.	1.7 mm		
Protection category	IP20		
Min. insul. strip length	8 mm		
Rated current	4 A		
Rated voltage		160 V	160 V
Rated test voltage		1.5 kV	1.5 kV
Terminal data			
rat.wiring solid AWGmax	0.08 mm ² - 0.5 mm ² / AWG 28 - AWG 20		
rat.wiring strand.AWGmax	0.08 mm ² - 0.5 mm ² / AWG 28 - AWG 20		
Approvals			
 V / A / AWG	150 / 5 / 28 - 20		
approval UL - File No.	E121004		
 0.5 mm ²	80 V / 6 A		
Material			
insulating material	PA66		
flammability class	V0		
spring material	Spring steel		
contact material	CuSn		
Contact surface	Sn		
Glow-Wire Flammability GWFI	960 °C acc. to IEC 60695-2-12		
Glow-Wire Flammability GWIT	775 °C acc. to IEC 60695-2-13		
Climatic Data			
upper limit temperature	105 °C		
lower limit temperature	-40 °C		
general			
Tolerance	ISO 2768 -mH		

© 2024 METZ CONNECT - Technische Änderungen vorbehalten! Subject to modifications! Sous réserve de modifications techniques!

U | Contact

Data sheet
SP051xxVGNN ASP051

Page 3/4

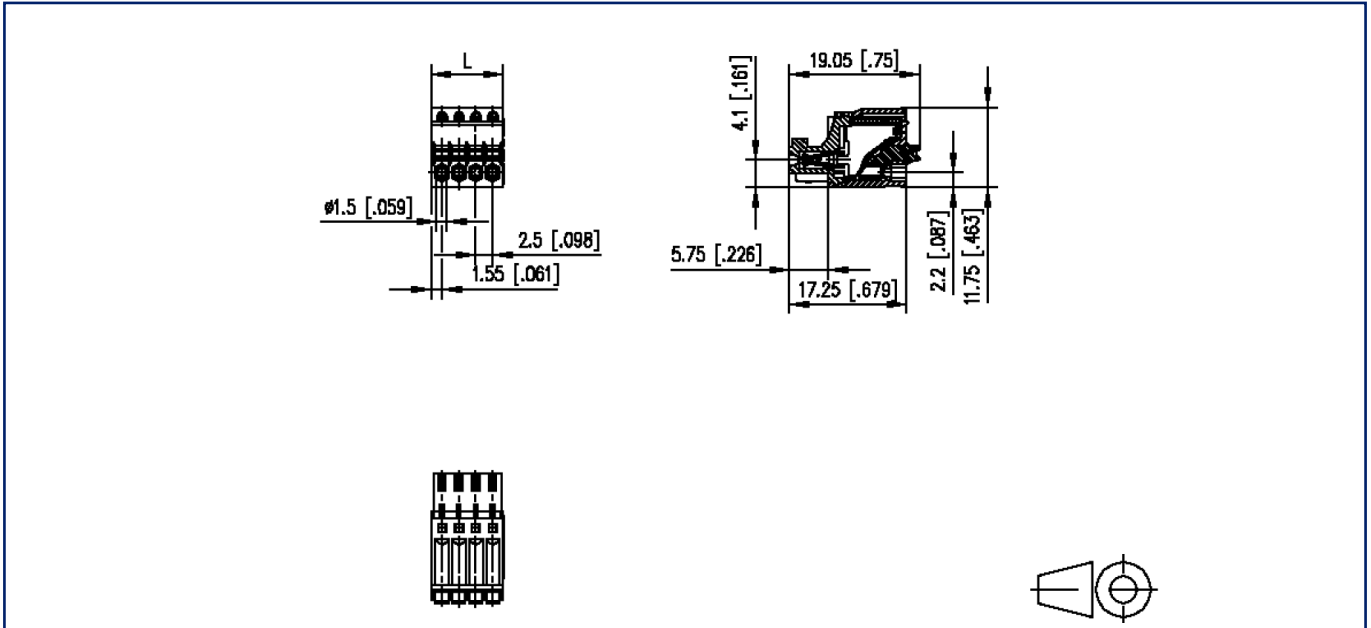
P/N
ASP051xx
xx=number of poles
2024/05/23
Version: T

Counterpart

P/N	Designation
313541	PT091xxHBEC Typ 354
313731	PT091xxVGBN Type 373
313741	PT091xxHGBN Type 374

Illustrations

Dimensional drawing



$L = (\text{pole size} - 1) \times \text{centerline} + 3.1 \text{ mm} [0.122]$