

Data sheet

SP064xxVGNF ASP084

Page 1/5

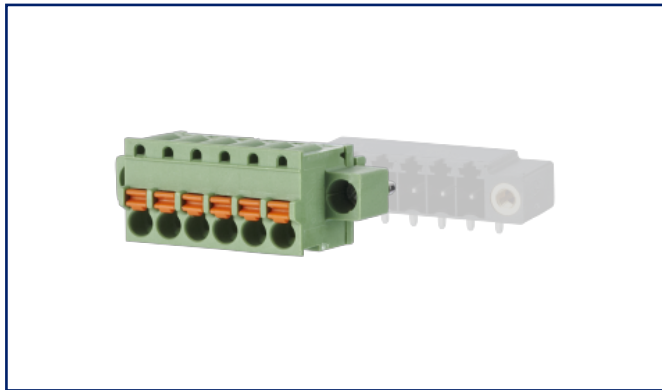
P/N
ASP084xx06

xx=number of poles

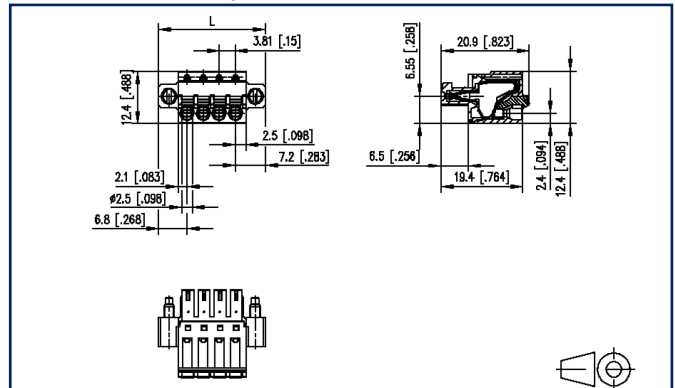
2025/08/25

Version: S

Illustrations



Dimensional drawing as an example



See enlarged drawings at the end of document

Product specification

- spring clamp terminal block, pluggable
- centerline 3.81 mm, direction of connection vertical 0°
- color green, mounting flange
- push-button, wire entry uncodeable side parallel to plug direction



Data sheet
SP064xxVGNF ASP084

Technical Data


General Data

min. number of poles	2		
max. number of poles	24		
Insulating material class	CTI 600		
clearance/creepage dist.	1.9 mm		
Protection category	IP20		
Insul. strip length	9 mm		
Rated current	8 A		
Overvoltage category	III	III	II
Pollution degree	3	2	2
Rated voltage	50 V	250 V	250 V
Rated test voltage	2.5 kV	2.5 kV	2.5 kV

Terminal data

rat.wiring solid AWGmax	0.08 mm ² - 1.5 mm ² / AWG 28 - AWG 16		
rat.wiring strand.AWGmax	0.08 mm ² - 1.5 mm ² / AWG 28 - AWG 16		

Approvals

 V / A / AWG	150 / 8 / 28 - 16		
approval UL - File No.	E121004		

	130 V / 2.5 kV / 9 A		
---	----------------------	--	--

Material

insulating material	PA66		
flammability class	V0		
spring material	Spring steel		
contact material	CuSn		
Contact surface	Sn		
Glow-Wire Flammability GWFI	960 °C acc. to IEC 60695-2-12		
Glow-Wire Flammability GWIT	775 °C acc. to IEC 60695-2-13		

Climatic Data

upper limit temperature	105 °C		
lower limit temperature	-40 °C		

general

Data sheet

Page 3/5

SP064xxVGNF ASP084

P/N

ASP084xx06**xx=number of poles**

2025/08/25

Version: S

Technical Data

Tolerance	ISO 2768 -mH
-----------	--------------

Application note

This product is a standard product of METZ CONNECT. METZ CONNECT is not aware of the specific intended use of the goods by the Customer or any customers of the Customer. The Customer guarantees that it has fully and sufficiently tested the use of the goods and any product modifications, product changes or product enhancements with regard to the specific intended use in accordance with the state of the art or in any other way. At METZ CONNECT's request, the Customer shall submit and make available meaningful evidence (e.g. test and laboratory protocols, certifications, etc.).



Data sheet

Page 4/5

SP064xxVGNF ASP084

P/N

ASP084xx06**xx=number of poles**

2025/08/25

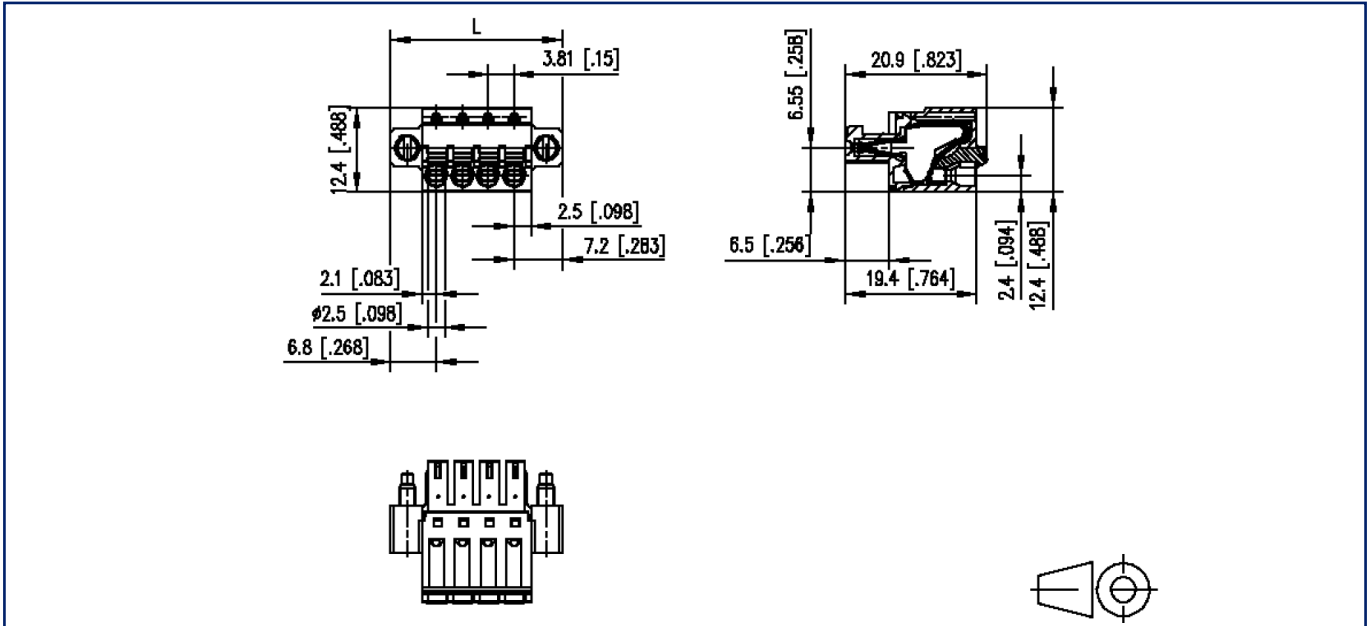
Version: S

Counterpart

P/N	Designation
313901	PR044xxHBBF Type 390
313911	PR044xxVBBF Type 391
313921	PT094xxHBBF Type 392
313931	PT094xxVBBF Type 393

Illustrations

Dimensional drawing as an example



$L = (\text{pole size} - 1) \times \text{centerline} + 13.96 \text{ mm} [0.55]$