

# Data sheet

SP064xxVGNF ASP084

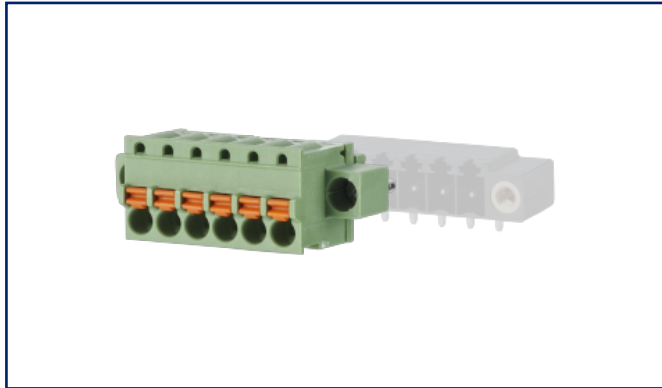
P/N  
ASP084xx06

xx=number of poles

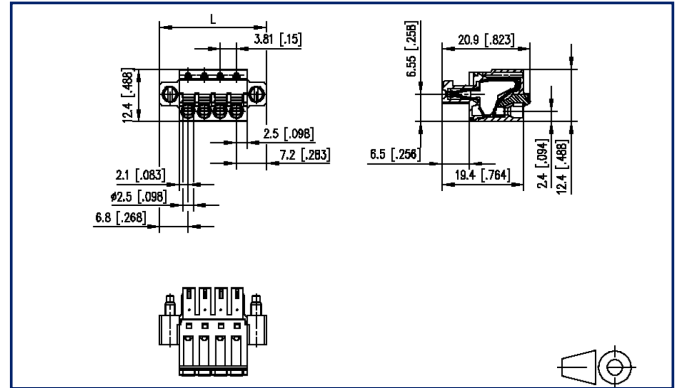
2024/12/06

Version: Q

## Illustrations



Dimensional drawing as an example





See enlarged drawings at the end of document

## Product specification

- spring clamp terminal block, pluggable
- centerline 3.81 mm, direction of connection vertical 0°
- color green, mounting flange
- push-button, wire entry uncodeable side parallel to plug direction



## Technical Data

| General Data  |  |        |        |
|---|--|--------|--------|
| min. number of poles  | 2  |        |        |
| max. number of poles  | 24   |        |        |
| Insulating material class   | CTI 600  |        |        |
| clearance/creepage dist.  | 1.9 mm   |        |        |
| Protection category   | IP20   |        |        |
| Insul. strip length   | 9 mm   |        |        |
| Rated current   | 8 A  |        |        |
| Overvoltage category  | III  | III    | II     |
| Pollution degree  | 3  | 2      | 2      |
| Rated voltage   | 50 V   | 250 V  | 250 V  |
| Rated test voltage  | 2.5 kV   | 2.5 kV | 2.5 kV |
| Terminal data   |  |        |        |
| rat.wiring solid AWGmax   | 0.08 mm <sup>2</sup> - 1.5 mm <sup>2</sup> / AWG 28 - AWG 16 |        |        |
| rat.wiring strand.AWGmax  | 0.08 mm <sup>2</sup> - 1.5 mm <sup>2</sup> / AWG 28 - AWG 16 |        |        |
| Approvals   |  |        |        |
|  V / A / AWG         | 150 / 8 / 28 - 16  |        |        |
| approval UL - File No.  | E121004  |        |        |
|  1.5 mm <sup>2</sup> | 130 V / 2.5 kV / 9 A   |        |        |
| Material  |  |        |        |
| insulating material   | PA66   |        |        |
| flammability class  | V0   |        |        |
| spring material   | Spring steel   |        |        |
| contact material  | CuSn   |        |        |
| Contact surface   | Sn   |        |        |
| Glow-Wire Flammability GWFI   | 960 °C acc. to IEC 60695-2-12                                |        |        |
| Glow-Wire Flammability GWIT   | 775 °C acc. to IEC 60695-2-13                                |        |        |
| Climatic Data   |  |        |        |
| upper limit temperature   | 105 °C   |        |        |
| lower limit temperature   | -40 °C   |        |        |
| general   |  |        |        |

# U | Contact

Data sheet

**SP064xxVGNF ASP084**

Page 3/5

P/N

**ASP084xx06****xx=number of poles**

2024/12/06

Version: Q

## Technical Data

|           |              |
|-----------|--------------|
| Tolerance | ISO 2768 -mH |
|-----------|--------------|

### Application note

This product is a standard product of METZ CONNECT. METZ CONNECT is not aware of the specific intended use of the goods by the Customer or any customers of the Customer. The Customer guarantees that it has fully and sufficiently tested the use of the goods and any product modifications, product changes or product enhancements with regard to the specific intended use in accordance with the state of the art or in any other way. At METZ CONNECT's request, the Customer shall submit and make available meaningful evidence (e.g. test and laboratory protocols, certifications, etc.).



# U | Contact

Data sheet

**SP064xxVGNF ASP084**

Page 4/5

P/N

**ASP084xx06**

**xx=number of poles**

2024/12/06

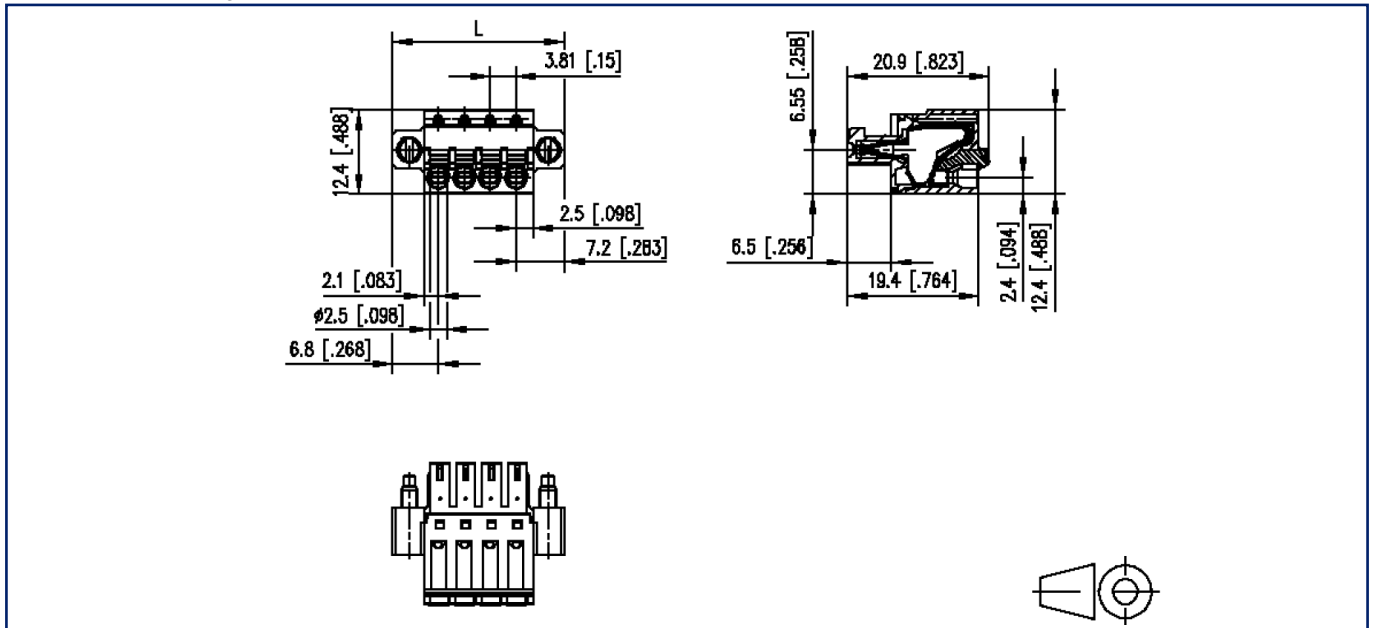
Version: Q

## Counterpart

| P/N    | Designation          |
|--------|----------------------|
| 313901 | PR044xxHBBF Type 390 |
| 313911 | PR044xxVBBF Type 391 |
| 313921 | PT094xxHBBF Type 392 |
| 313931 | PT094xxVBBF Type 393 |

## Illustrations

Dimensional drawing as an example



$L = (\text{pole size} - 1) \times \text{centerline} + 13.96 \text{ mm} [0.55]$