

Data sheet

ST047xxDDNC AST047

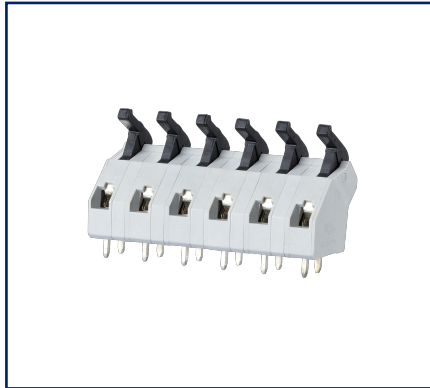
P/N
AST047xx04

xx=number of poles

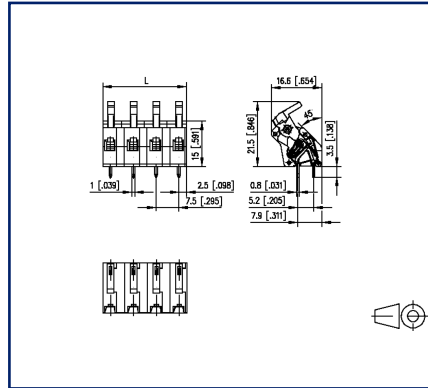
2024/12/06

Version: H

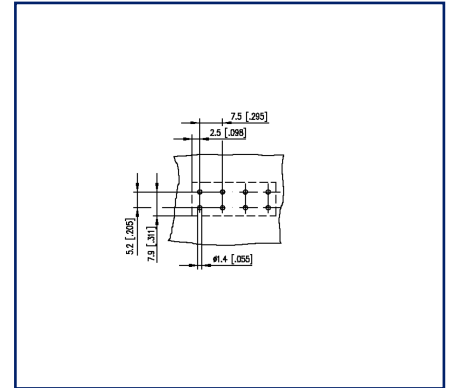
Illustrations



Dimensional drawing as an example



Drill pattern as an example





See enlarged drawings at the end of document

Product specification

- spring clamp terminal block, solderable, double solder pins
- centerline 7.50 mm, direction of connection 45°
- fittable without loss of poles
- color gray
- eccentric lever



Technical Data

General Data			
Solder pin length	3.5 mm		
min. number of poles	2		
max. number of poles	24		
Insulating material class	CTI 400		
clearance/creepage dist.	6.5 mm		
Protection category	IP20		
Insul. strip length	6 mm		
Rated current	12 A		
Overvoltage category	III	III	II
Pollution degree	3	2	2
Rated voltage	32 V	200 V	200 V
Rated test voltage	2.5 kV	2.5 kV	2.5 kV
Terminal data			
rat.wiring solid AWGmax	0.2 mm ² - 1.5 mm ² / AWG 28 - AWG 16		
rat.wiring strand.AWGmax	0.2 mm ² - 1.5 mm ² / AWG 28 - AWG 16		
Approvals			
 V / A / AWG	600 / 13 / 28 - 14		
approval UL - File No.	E121004		
 1 mm ²	750 V / 13.5 A / T60		
Material			
insulating material	PA46		
flammability class	V0		
spring material	Spring steel		
contact material	CuZn		
Contact surface	Ni + Sn		
Glow-Wire Flammability GWFI	-		
Glow-Wire Flammability GWIT	-		
Climatic Data			
upper limit temperature	105 °C		
lower limit temperature	-40 °C		

Technical Data

general

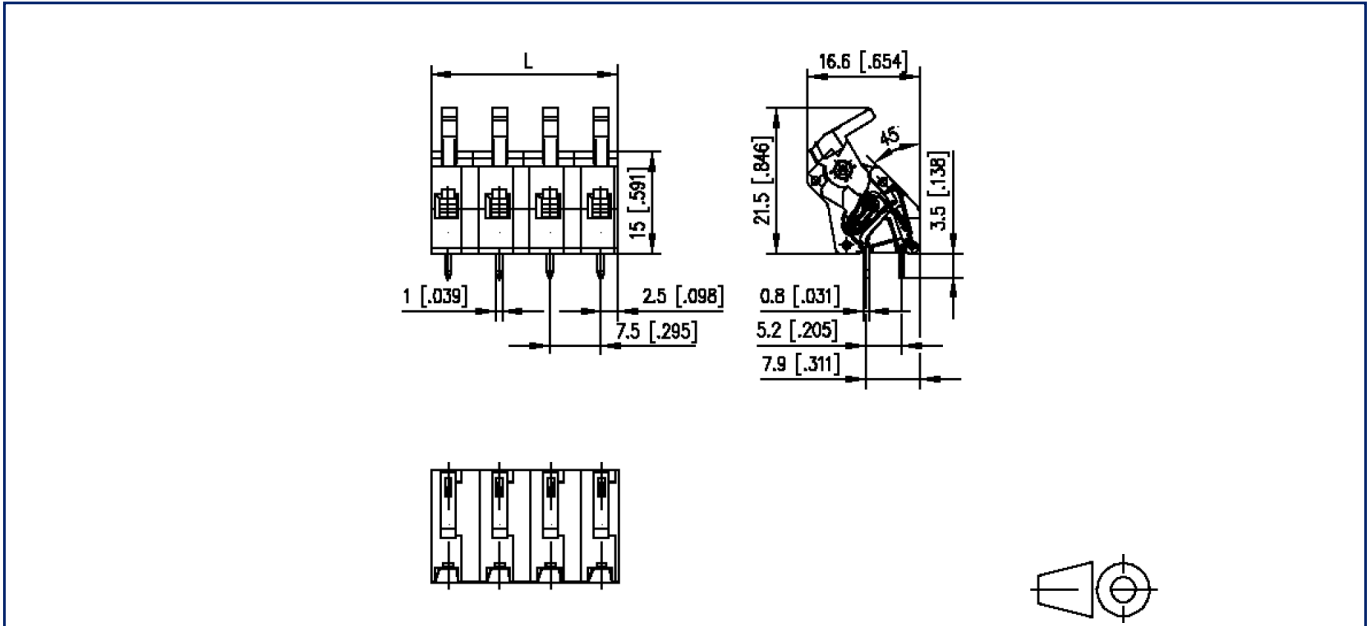
Tolerance	ISO 2768 -mH
Solderability	Acc. to JEDEC JESD22-B102E 245°C/5s

Application note

This product is a standard product of METZ CONNECT. METZ CONNECT is not aware of the specific intended use of the goods by the Customer or any customers of the Customer. The Customer guarantees that it has fully and sufficiently tested the use of the goods and any product modifications, product changes or product enhancements with regard to the specific intended use in accordance with the state of the art or in any other way. At METZ CONNECT's request, the Customer shall submit and make available meaningful evidence (e.g. test and laboratory protocols, certifications, etc.).

Illustrations

Dimensional drawing as an example



$L = (\text{pole size} - 1) \times \text{centerline} + 5 \text{ mm} [0.197]$

Illustrations

Drill pattern as an example

