

Data sheet

ST05502HBNC AST055

Page 1/5

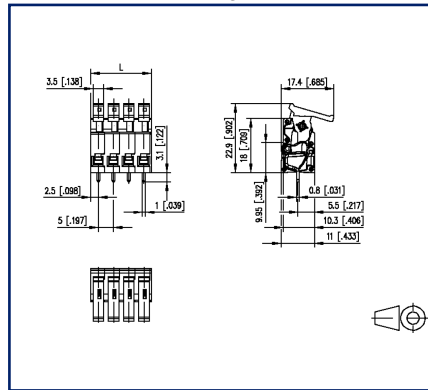
P/N
AST0550202

2026/05/05

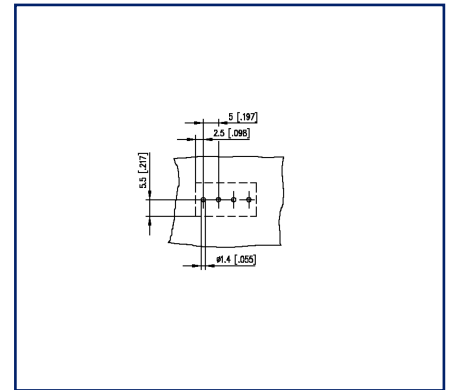
Illustrations



Dimensional drawing as an example



Drill pattern as an example



See enlarged drawings at the end of document

Product specification

- spring clamp terminal block, solderable
- centerline 5.00 mm, direction of connection 90°
- fittable without loss of poles
- color black
- eccentric lever



Technical Data



General Data

| | | | |
|---------------------------|---------|-------|-------|
| Solder pin length | 3.1 mm | | |
| pole size | 2 | | |
| Insulating material class | CTI 600 | | |
| clearance/creepage dist. | 4 mm | | |
| Protection category | IP20 | | |
| Insul. strip length | 6 mm | | |
| Rated current | 20 A | | |
| Overvoltage category | III | III | II |
| Pollution degree | 3 | 2 | 2 |
| Rated voltage | 160 V | 400 V | 400 V |
| Rated test voltage | 4 kV | 4 kV | 4 kV |

Terminal data

| | | | |
|--------------------------|--|--|--|
| rat.wiring solid AWGmax | 0.08 mm ² - 2.5 mm ² / AWG 28 - AWG 12 | | |
| rat.wiring strand.AWGmax | 0.08 mm ² - 2.5 mm ² / AWG 28 - AWG 12 | | |

Approvals

| | | | |
|---|---------------------|--|--|
|  V / A / AWG | 300 / 12 / 28 - 12 | | |
| approval UL - File No. | E121004 | | |
|  | 160 V / 4 kV / 19 A | | |

Material

| | |
|-----------------------------|-------------------------------|
| insulating material | PA |
| flammability class | V0 |
| spring material | Spring steel |
| contact material | CuSn |
| Contact surface | Sn |
| Glow-Wire Flammability GWFI | 850 °C acc. to IEC 60695-2-12 |
| Glow-Wire Flammability GWIT | 775 °C acc. to IEC 60695-2-13 |

Climatic Data

| | |
|-------------------------|--------|
| upper limit temperature | 105 °C |
| lower limit temperature | -40 °C |

general

Data sheet
ST05502HBNC AST055

Page 3/5

P/N
AST0550202

2026/05/05

Technical Data

| | |
|---------------|-------------------------------------|
| Tolerance | ISO 2768 -mH |
| Solderability | Acc. to JEDEC JESD22-B102E 245°C/5s |

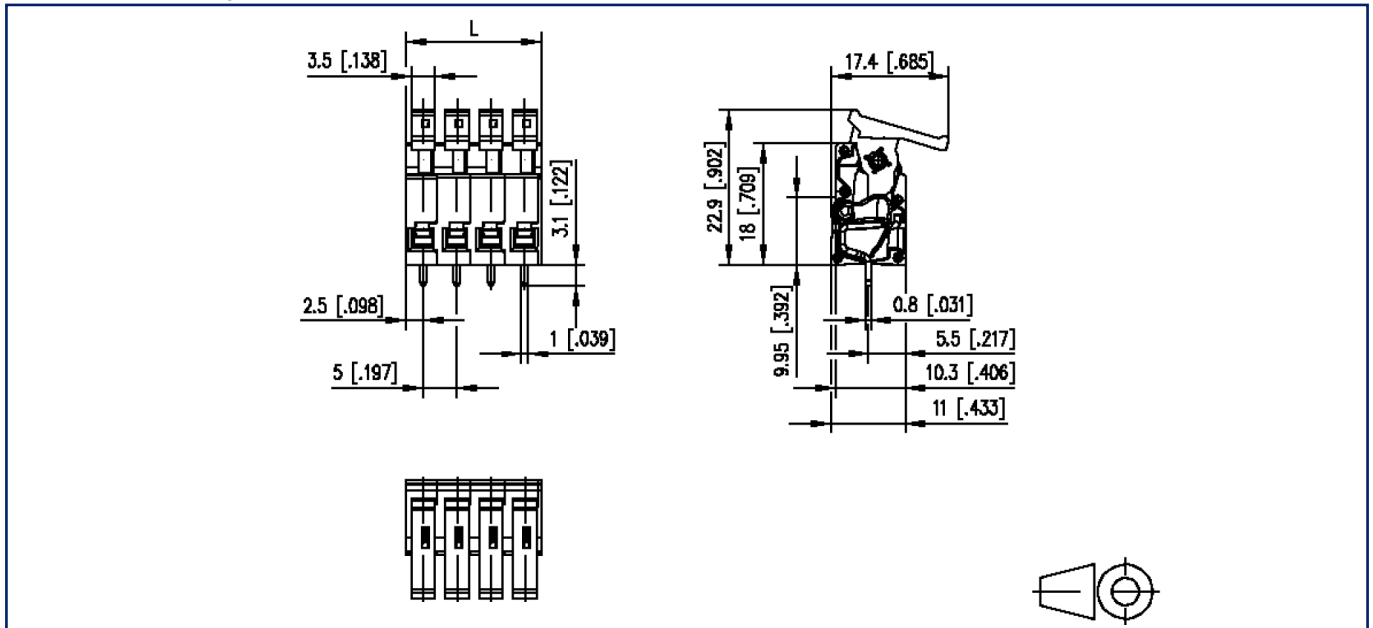
Application note

This product is a standard product of METZ CONNECT. METZ CONNECT is not aware of the specific intended use of the goods by the Customer or any customers of the Customer. The Customer guarantees that it has fully and sufficiently tested the use of the goods and any product modifications, product changes or product enhancements with regard to the specific intended use in accordance with the state of the art or in any other way. At METZ CONNECT's request, the Customer shall submit and make available meaningful evidence (e.g. test and laboratory protocols, certifications, etc.).



Illustrations

Dimensional drawing as an example



$L = (\text{pole size} - 1) \times \text{centerline} + 5 \text{ mm} [0.197]$

Illustrations

Drill pattern as an example

