

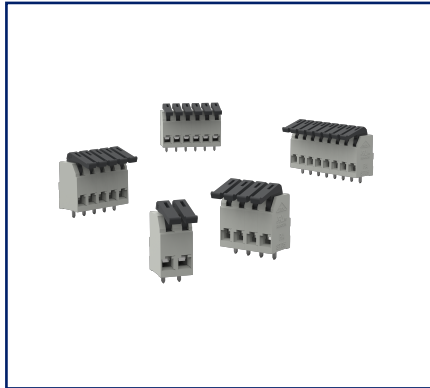
# Data sheet

## ST055xxHBNC AST055

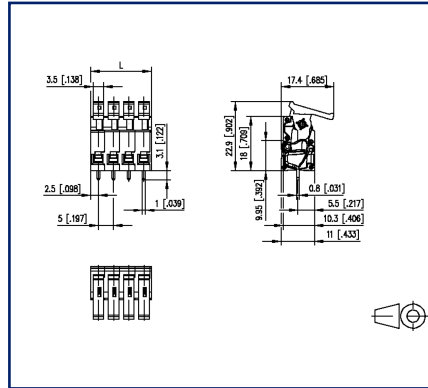
Page 1/5

P/N  
AST055xx02  
xx=number of poles  
2026/05/05  
Version: C

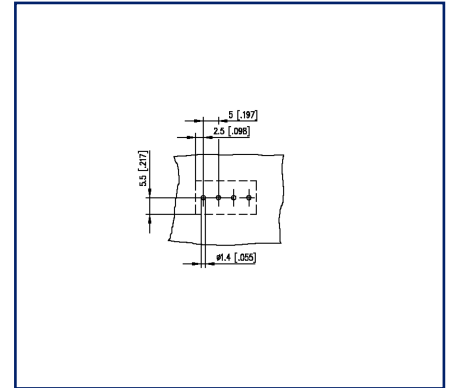
### Illustrations



Dimensional drawing as an example



Drill pattern as an example



See enlarged drawings at the end of document

### Product specification

- spring clamp terminal block, solderable
- centerline 5.00 mm, direction of connection 90°
- fittable without loss of poles
- color black
- eccentric lever



**Data sheet**  
**ST055xxHBNC AST055**

P/N  
**AST055xx02**  
xx=number of poles  
2026/05/05  
Version: C

**Technical Data**



**General Data**

Solder pin length	3.1 mm		
Insulating material class	CTI 600		
clearance/creepage dist.	4 mm		
Protection category	IP20		
Insul. strip length	6 mm		
Rated current	20 A		
Overvoltage category	III	III	II
Pollution degree	3	2	2
Rated voltage	160 V	400 V	400 V
Rated test voltage	4 kV	4 kV	4 kV

**Terminal data**

rat.wiring solid AWGmax	0.08 mm <sup>2</sup> - 2.5 mm <sup>2</sup> / AWG 28 - AWG 12		
rat.wiring strand.AWGmax	0.08 mm <sup>2</sup> - 2.5 mm <sup>2</sup> / AWG 28 - AWG 12		

**Approvals**

 V / A / AWG	300 / 12 / 28 - 12		
approval UL - File No.	E121004		
	160 V / 4 kV / 19 A		

**Material**

insulating material	PA
flammability class	V0
spring material	Spring steel
contact material	CuSn
Contact surface	Sn
Glow-Wire Flammability GWFI	850 °C acc. to IEC 60695-2-12
Glow-Wire Flammability GWIT	775 °C acc. to IEC 60695-2-13

**Climatic Data**

upper limit temperature	105 °C
lower limit temperature	-40 °C

**general**

Tolerance	ISO 2768 -mH
-----------	--------------

**Data sheet**  
**ST055xxHBNC AST055**

Page 3/5

**P/N**  
**AST055xx02**  
**xx=number of poles**  
2026/05/05  
Version: C**Technical Data**

Solderability

Acc. to JEDEC JESD22-B102E 245°C/5s

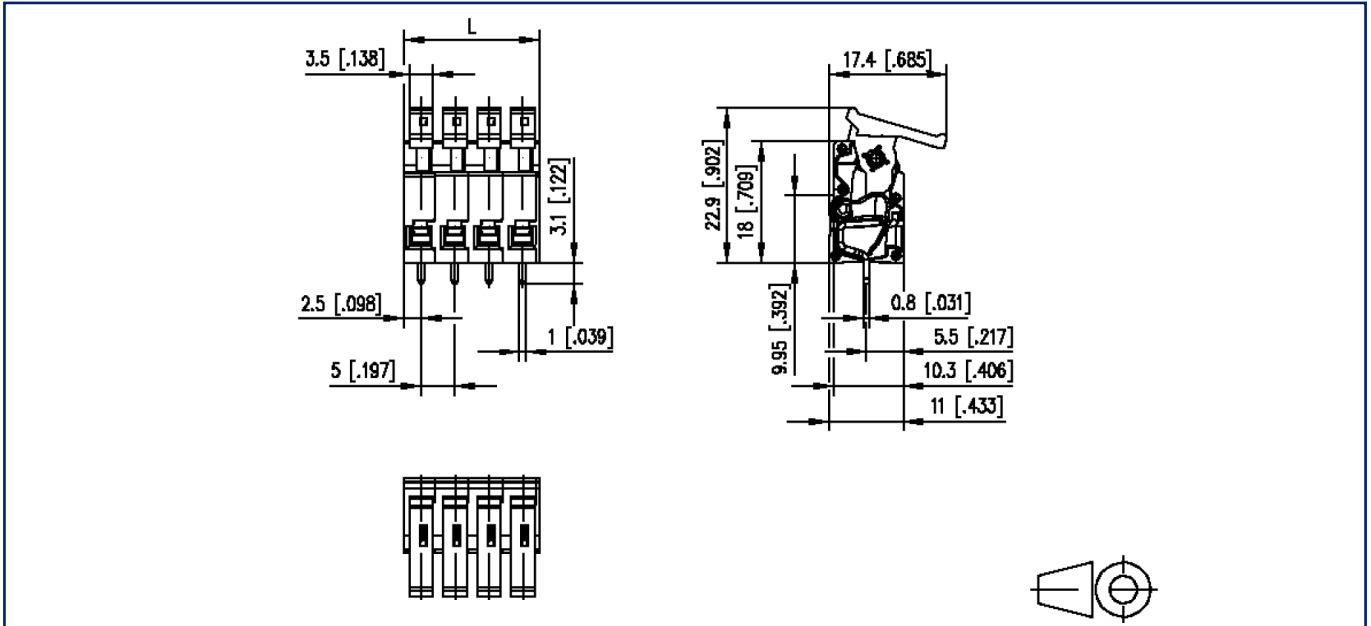
**Application note**

This product is a standard product of METZ CONNECT. METZ CONNECT is not aware of the specific intended use of the goods by the Customer or any customers of the Customer. The Customer guarantees that it has fully and sufficiently tested the use of the goods and any product modifications, product changes or product enhancements with regard to the specific intended use in accordance with the state of the art or in any other way. At METZ CONNECT's request, the Customer shall submit and make available meaningful evidence (e.g. test and laboratory protocols, certifications, etc.).



## Illustrations

Dimensional drawing as an example



$L = (\text{pole size} - 1) \times \text{centerline} + 5 \text{ mm} [0.197]$

Data sheet  
**ST055xxHBNC AST055**

Page 5/5

P/N  
**AST055xx02**  
xx=number of poles  
2026/05/05  
Version: C

**Illustrations**

Drill pattern as an example

