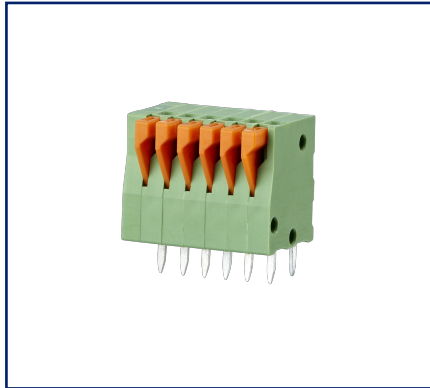
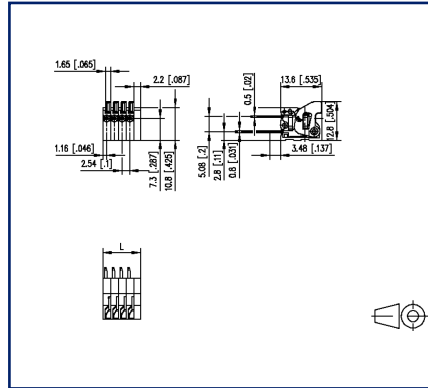


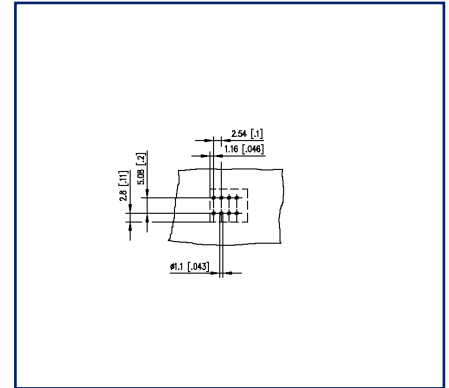
Illustrations



Dimensional drawing



Drill pattern



See enlarged drawings at the end of document

Product specification

- spring clamp terminal block, solderable, double solder pins
- centerline 2.54 mm, direction of connection vertical 0°
- color green
- push-button

Technical Data



General Data

Solder pin length	3.48 mm		
min. number of poles	2		
max. number of poles	24		
Insulating material class	CTI 600		
clearance/creepage dist.	2 mm		
Protection category	IP20		
Insul. strip length	10 mm		
Rated current	6 A		
Overvoltage category	III	III	II
Pollution degree	2	2	2
Rated voltage	10 V	200 V	200 V
Rated test voltage	1.5 kV	1.5 kV	1.5 kV

Terminal data

rat.wiring solid AWGmax	0.2 mm ² - 0.5 mm ² / AWG 26 - AWG 20		
rat.wiring strand.AWGmax	0.2 mm ² - 0.5 mm ² / AWG 26 - AWG 20		

Approvals

 V / A / AWG	150 / 6 / 26 - 20		
approval UL - File No.	E121004		
 0.5 mm ²	130 V / 6 A / T60		

Material

insulating material	PA66
flammability class	V0
spring material	Spring steel
contact material	CuSn
Contact surface	Sn
Glow-Wire Flammability GWFI	960 °C acc. to IEC 60695-2-12
Glow-Wire Flammability GWIT	775 °C acc. to IEC 60695-2-13

Climatic Data

upper limit temperature	105 °C
lower limit temperature	-40 °C

U | Contact

Data sheet

ST072xxVGNN AST082

Page 3/5

P/N

AST082xx06

xx=number of poles

2024/08/22

Version: F

Technical Data

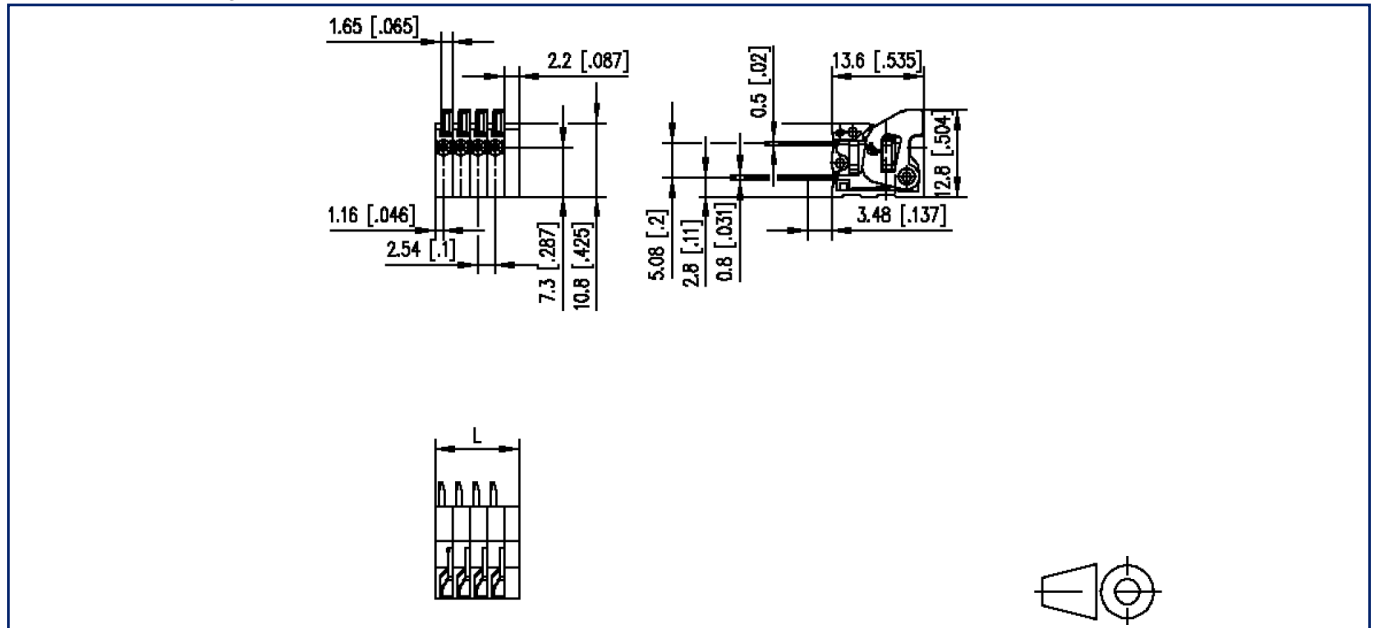
general

Tolerance	ISO 2768 -mH
Solderability	Acc. to JEDEC JESD22-B102E 245°C/5s



Illustrations

Dimensional drawing



$L = (\text{pole size} - 1) \times \text{centerline} + 4.74 \text{ mm [0.187]}$

Illustrations

Drill pattern

