

Data sheet

M12 jack, D-coded, IP67, Cat.5, Ø 6-9.7 mm, field assembly, with flange

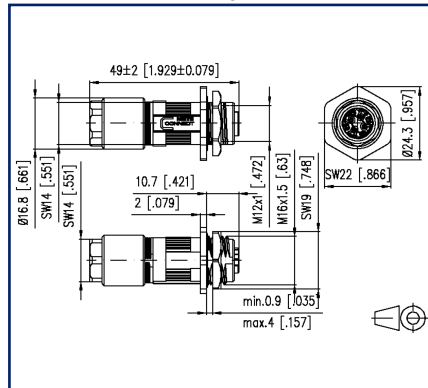
Page 1/16

P/N
MMF881A115-0001
EAN 4251394625256
2026/05/20
Version: X

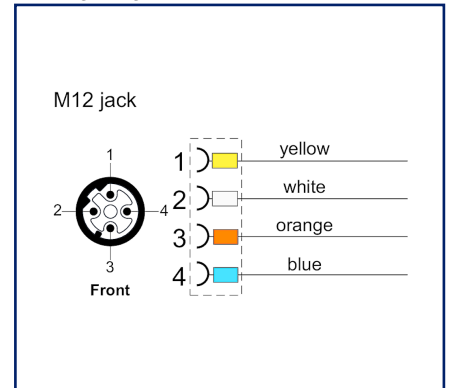
Illustrations



Dimensional drawing



Wiring diagram



See enlarged drawings at the end of document

Product specification

- 4-pole jack for field assembly Cat.5
- M12 connector following to DIN EN 61076-2-101:2012 with flange
- suitable for 100 MBit Fast Ethernet as per IEEE 802.3an
- AWG 26/1 to 22/1, AWG 26/7 to 22/7 can be connected
- solid copper wire diameter 0.41 to 0.64 mm
- stranded copper wire diameter 0.48 to 0.76 mm
- wire diameter with isolation up to 1.6 mm
- cable jacket from 6.0 to 9.7 mm
- jack consists of only two parts
- easy assembly without special tools
- industry-compatible zinc die-cast housing
- suitable for applications in the railway industry according to data sheet

M12 jack, D-coded, IP67, Cat.5, Ø 6-9.7 mm, field assembly, with flange

P/N
MMF881A115-0001
EAN 4251394625256
 2026/05/20
 Version: X

Technical Data

General Data

Electromagnetic measurement according to MICE	E2
Design	Jack
Mounting style	back side
Shielding	shielded
Transmission technology	Copper
Dimensions	
Dimension (L x W x H)	49 mm x 16.8 mm x 16.8 mm
Dimension (L x W x H)	1.929 in. x 0.661 in. x 0.661 in.
Field assembly ability	yes
Labeling option	on housing

Transmission characteristics

Category (ISO)	5e
Category (TIA)	5e
Remote Powering	yes
PoE	IEEE 802.3af
PoE plus	IEEE 802.3at

Connections/interfaces

Connector technology interface 1	IDC-connection
Connector technology interface 2	M12-jack
Coding interface 2	D-coded
Number of ports interface 2	1
Number of ports interface 2 equipped	1
Number of positions/contacts interface 1	4
Number of positions/contacts interface 2	4

M12 jack, D-coded, IP67, Cat.5, Ø 6-9.7 mm, field assembly, with flange

P/N
MMF881A115-0001
EAN 4251394625256
2026/05/20
Version: X

Technical Data

Connections/interfaces

Termination data, solid wire (min. - max.)

Conductor cross section, solid wire	AWG 26/1 - AWG 22/1
Conductor cross section, solid wire	0.128 mm ² - 0.324 mm ²
Conductor diameter, solid wire (bare copper)	0.409 mm - 0.643 mm
Conductor diameter, solid wire (bare copper)	0.016 in. - 0.025 in.

Termination data, stranded wire (min. - max.)

Conductor cross section, stranded wire	AWG 26/7 - AWG 22/7
Conductor cross section, stranded wire	0.141 mm ² - 0.355 mm ²
Conductor diameter, stranded wire (bare copper)	0.483 mm - 0.762 mm
Conductor diameter, stranded wire (bare copper)	0.019 in. - 0.03 in.

Aderdurchmesser (min.-max.)

Core diameter (conductor with insulation)	0.85 mm - 1.6 mm
Core diameter (conductor with insulation)	0.033 in. - 0.063 in.

Cable sheath diameter (min. - max.)

Cable sheath diameter	6 mm - 9.7 mm
Cable sheath diameter	0.236 in. - 0.382 in.

Cable access/outlet	straight M12
---------------------	--------------

Electrical characteristics

Current carrying capacity at 40 °C	max. 4 A
Rated voltage	48 V AC / 60 V DC
Note for contact resistance	plug / jack
Contact resistance	max. 5 mOhm
Insulation resistance	min. 100 MOhm

Mechanical data

Mounting method	screwable
Insertion and withdrawal force	10 N 15 N
Life - Number of mating cycles	min. 100

Data sheet

M12 jack, D-coded, IP67, Cat.5, Ø 6-9.7 mm, field assembly, with flange

P/N
MMF881A115-0001
EAN 4251394625256
2026/05/20
Version: X

Technical Data

Materials and material properties

Material - Housing	GD-Zn
Material - Contact	CuZnPb (brass)
Material - Contact finish	Ni + Au (nickel-gold)
Material - Contact carriers	PA UL 94 V0
Material - Shield	CuSn
Material - Shield finish	Sn
Material - Stuffer cap	PA UL94-V0
Material - Finish	Ni (nickel)
RoHS	compliant

Environmental conditions

Temperature (min. - max.)	
Note for Temperature - Operating	plug / jack
Temperature - Operating °C	-40 °C - 85 °C
Temperature - Operating °F	-40 °F - 185 °F
Protection category	IP67 when plugged in
Overvoltage category	II
Degree of pollution	3

Approvals

UL listed (file no.)		DUXR.E178484
----------------------	--	--------------

Standards/Regulations

Application-specific communications cabling systems	
Profinet	yes
Connectors for electronic equipment	
circular connector	M12 connector following to DIN EN 61076-2-101:2012
Connectors for electronic equipment - Tests and measurements	
Test standard for connectors (engaging and separating connectors under electrical load)	DIN-EN 60512-99-001

M12 jack, D-coded, IP67, Cat.5, Ø 6-9.7 mm, field assembly, with flange

P/N
MMF881A115-0001
EAN 4251394625256
 2026/05/20
 Version: X

Technical Data

Standards/Regulations

Railway applications	
Contact holder	Thermoplastic HL1-HL3; R22, R23 according to EN 45545-2:2020+A1:2023
Flammable mass (g)	1.2 g
Stuffer cap	Thermoplastic HL1-HL3; R22, R23 according to EN 45545-2:2020+A1:2023
Flammable mass (g)	0.97 g
Sealings	Elastomer
Flammable mass (g)	1.63 g
Shock and vibration	EN 50155:2021, EN 61373:2010 Class 1 Category B
Salt spray	EN 50155:2021, (DIN EN 60068-2-11:2000-02/ 48-hour KA test)

Classifications

ETIM 7.0	EC002635
ETIM 8.0	EC002635
ETIM 9.0	EC002635
ETIM 10.0	EC002635

Packing details

Type of packaging	10 pc(s) / box
-------------------	----------------

Application note

This product is a standard product of METZ CONNECT. METZ CONNECT is not aware of the specific intended use of the goods by the Customer or any customers of the Customer. The Customer guarantees that it has fully and sufficiently tested the use of the goods and any product modifications, product changes or product enhancements with regard to the specific intended use in accordance with the state of the art or in any other way. At METZ CONNECT's request, the Customer shall submit and make available meaningful evidence (e.g. test and laboratory protocols, certifications, etc.).

Data sheet

Page 6/16

**M12 jack, D-coded, IP67, Cat.5, Ø 6-9.7 mm,
field assembly, with flange**

P/N

MMF881A115-0001

EAN 4251394625256

2026/05/20

Version: X

Accessories from

P/N	Designation
142MOD10010	M12 Bus-/Railcat connection cable, D-coded, 1.0 m, M12 plug - free line end, 4-pole, RADOX®
142MOD10020	M12 Bus-/Railcat connection cable, D-coded, 2.0 m, M12 plug - free line end, 4-pole, RADOX®
142MOD10050	M12 Bus-/Railcat connection cable, D-coded, 5.0 m, M12 plug - free line end, 4-pole, RADOX®
142mod10100	M12 Bus-/Railcat connection cable, D-coded, 10.0 m, M12 plug - free line end, 4-pole, RADOX®
142MOD11010	M12 Bus-/Railcat connection line, D-coded, 1.0 m, M12 plug - M12 plug, 4-pole, RADOX®
142MOD11020	M12 Bus-/Railcat connection line, D-coded, 2.0 m, M12 plug - M12 plug, 4-pole, RADOX®
142MOD11050	M12 Bus-/Railcat connection line, D-coded, 5.0 m, M12 plug - M12 plug, 4-pole, RADOX®
142MOD11100	M12 Bus-/Railcat connection line, D-coded, 10.0 m, M12 plug - M12 plug, 4-pole, RADOX®
142MOD12010	M12 Bus-/Railcat connection line, D-coded, 1.0 m, M12 plug - M12 jack, 4-pole, RADOX®
142MOD12020	M12 Bus-/Railcat connection line, D-coded, 2.0 m, M12 plug - M12 jack, 4-pole, RADOX®
142MOD12050	M12 Bus-/Railcat connection line, D-coded, 5.0 m, M12 plug - M12 jack, 4-pole, RADOX®
142MOD12100	M12 Bus-/Railcat connection line, D-coded, 10.0 m, M12 plug - M12 jack, 4-pole, RADOX®
142MOD13010	M12 Bus-/Railcat connection line, D-coded, 1.0 m, M12 plug - M12 jack angled, 4-pole, RADOX®
142MOD13020	M12 Bus-/Railcat connection line, D-coded, 2.0 m, M12 plug - M12 jack angled, 4-pole, RADOX®
142MOD13050	M12 Bus-/Railcat connection line, D-coded, 5.0 m, M12 plug - M12 jack angled, 4-pole, RADOX®
142MOD13100	M12 Bus-/Railcat connection line, D-coded, 10.0 m, M12 plug - M12 jack angled, 4-pole, RADOX®
142MOD14010	M12 Bus-/Railcat connection line, D-coded, 1.0 m, M12 plug - M12 jack, without flange, 4-pole, RADOX®
142MOD14020	M12 Bus-/Railcat connection line, D-coded, 2.0 m, M12 plug - M12 jack, without flange, 4-pole, RADOX®
142MOD14050	M12 Bus-/Railcat connection line, D-coded, 5.0 m, M12 plug - M12 jack, without flange, 4-pole, RADOX®
142MOD14100	M12 Bus-/Railcat connection line, D-coded, 10.0 m, M12 plug - M12 jack, without flange, 4-pole, RADOX®
142MOD15010	M12 Bus-/Railcat connection line, D-coded, 1.0 m, M12 plug - RJ45 plug, 4-pole, RADOX®

Data sheet

**M12 jack, D-coded, IP67, Cat.5, Ø 6-9.7 mm,
field assembly, with flange**

P/N

MMF881A115-0001

EAN 4251394625256

2026/05/20

Version: X

Accessories from

142MOD15020	M12 Bus-/Railcat connection line, D-coded, 2.0 m, M12 plug - RJ45 plug, 4-pole, RADOX®
142MOD15050	M12 Bus-/Railcat connection line, D-coded, 5.0 m, M12 plug - RJ45 plug, 4-pole, RADOX®
142MOD15100	M12 Bus-/Railcat connection line, D-coded, 10.0 m, M12 plug - RJ45 plug, 4-pole, RADOX®
142MOD19010	M12 Bus-/Railcat connection line, D-coded, 1.0 m, M12 plug - M12 plug angled, 4-pole, RADOX®
142MOD19020	M12 Bus-/Railcat connection line, D-coded, 2.0 m, M12 plug - M12 plug angled, 4-pole, RADOX®
142MOD19050	M12 Bus-/Railcat connection line, D-coded, 5.0 m, M12 plug - M12 plug angled, 4-pole, RADOX®
142MOD19100	M12 Bus-/Railcat connection line, D-coded, 10.0 m, M12 plug - M12 plug angled, 4-pole, RADOX®
142MOD1E010	M12 Bus-/Railcat connection line, D-coded, 1.0 m, M12 plug - M12 jack angled, without flange, 4-pole, RADOX®
142MOD1E020	M12 Bus-/Railcat connection line, D-coded, 2.0 m, M12 plug - M12 jack angled, without flange, 4-pole, RADOX®
142MOD1E050	M12 Bus-/Railcat connection line, D-coded, 5.0 m, M12 plug - M12 jack angled, without flange, 4-pole, RADOX®
142MOD1E100	M12 Bus-/Railcat connection line, D-coded, 10.0 m, M12 plug - M12 jack angled, without flange, 4-pole, RADOX®
142MOD20010	M12 Bus-/Railcat connection cable, D-coded, 1.0 m, M12 jack - free line end, 4-pole, RADOX®
142MOD20020	M12 Bus-/Railcat connection cable, D-coded, 2.0 m, M12 jack - free line end, 4-pole, RADOX®
142MOD20050	M12 Bus-/Railcat connection cable, D-coded, 5.0 m, M12 jack - free line end, 4-pole, RADOX®
142MOD20100	M12 Bus-/Railcat connection cable, D-coded, 10.0 m, M12 jack - free line end, 4-pole, RADOX®
142MOD25010	M12 Bus-/Railcat connection line, D-coded, 1.0 m, M12 jack - RJ45 plug, 4-pole, RADOX®
142MOD25020	M12 Bus-/Railcat connection line, D-coded, 2.0 m, M12 jack - RJ45 plug, 4-pole, RADOX®
142MOD25050	M12 Bus-/Railcat connection line, D-coded, 5.0 m, M12 jack - RJ45 plug, 4-pole, RADOX®
142MOD25100	M12 Bus-/Railcat connection line, D-coded, 10.0 m, M12 jack - RJ45 plug, 4-pole, RADOX®
142MOD29010	M12 Bus-/Railcat connection line, D-coded, 1.0 m, M12 jack - M12 plug angled, 4-pole, RADOX®
142MOD29020	M12 Bus-/Railcat connection line, D-coded, 2.0 m, M12 jack - M12 plug angled, 4-pole, RADOX®
142MOD29050	M12 Bus-/Railcat connection line, D-coded, 5.0 m, M12 jack - M12 plug angled, 4-pole, RADOX®

Data sheet

**M12 jack, D-coded, IP67, Cat.5, Ø 6-9.7 mm,
field assembly, with flange**

P/N

MMF881A115-0001

EAN 4251394625256

2026/05/20

Version: X

Accessories from

142MOD29100	M12 Bus-/Railcat connection line, D-coded, 10.0 m, M12 jack - M12 plug angled, 4-pole, RADOX®
142MOD30010	M12 Bus-/Railcat connection cable, D-coded, 1.0 m, M12 jack angled - free line end, 4-pole, RADOX®
142MOD30020	M12 Bus-/Railcat connection cable, D-coded, 2.0 m, M12 jack angled - free line end, 4-pole, RADOX®
142MOD30050	M12 Bus-/Railcat connection cable, D-coded, 5.0 m, M12 jack angled - free line end, 4-pole, RADOX®
142MOD30100	M12 Bus-/Railcat connection cable, D-coded, 10.0 m, M12 jack angled - free line end, 4-pole, RADOX®
142MOD35010	M12 Bus-/Railcat connection line, D-coded, 1.0 m, M12 jack angled - RJ45 plug, 4-pole, RADOX®
142MOD35020	M12 Bus-/Railcat connection line, D-coded, 2.0 m, M12 jack angled - RJ45 plug, 4-pole, RADOX®
142MOD35050	M12 Bus-/Railcat connection line, D-coded, 5.0 m, M12 jack angled - RJ45 plug, 4-pole, RADOX®
142MOD35100	M12 Bus-/Railcat connection line, D-coded, 10.0 m, M12 jack angled - RJ45 plug, 4-pole, RADOX®
142MOD39010	M12 Bus-/Railcat connection line, D-coded, 1.0 m, M12 jack angled - M12 plug angled, 4-pole, RADOX®
142MOD39020	M12 Bus-/Railcat connection line, D-coded, 2.0 m, M12 jack angled - M12 plug angled, 4-pole, RADOX®
142MOD39050	M12 Bus-/Railcat connection line, D-coded, 5.0 m, M12 jack angled - M12 plug angled, 4-pole, RADOX®
142MOD39100	M12 Bus-/Railcat connection line, D-coded, 10.0 m, M12 jack angled - M12 plug angled, 4-pole, RADOX®
142MOD40010	M12 Bus-/Railcat connection cable, D-coded, 1.0 m, M12 jack - free line end, without flange, 4-pole, RADOX®
142MOD40020	M12 Bus-/Railcat connection cable, D-coded, 2.0 m, M12 jack - free line end, without flange, 4-pole, RADOX®
142MOD40050	M12 Bus-/Railcat connection cable, D-coded, 5.0 m, M12 jack - free line end, without flange, 4-pole, RADOX®
142MOD40100	M12 Bus-/Railcat connection cable, D-coded, 10.0 m, M12 jack - free line end, without flange, 4-pole, RADOX®
142MOD45010	M12 Bus-/Railcat connection line, D-coded, 1.0 m, M12 jack - RJ45 plug, without flange, 4-pole, RADOX®
142MOD45020	M12 Bus-/Railcat connection line, D-coded, 2.0 m, M12 jack - RJ45 plug, without flange, 4-pole, RADOX®
142MOD45050	M12 Bus-/Railcat connection line, D-coded, 5.0 m, M12 jack - RJ45 plug, without flange, 4-pole, RADOX®
142MOD45100	M12 Bus-/Railcat connection line, D-coded, 10.0 m, M12 jack - RJ45 plug, without flange, 4-pole, RADOX®
142MOD49010	M12 Bus-/Railcat connection line, D-coded, 1.0 m, M12 jack - M12 plug angled, without flange, 4-pole, RADOX®



**M12 jack, D-coded, IP67, Cat.5, Ø 6-9.7 mm,
field assembly, with flange**

P/N
MMF881A115-0001
EAN 4251394625256
2026/05/20
Version: X

Accessories from

142MOD49020	M12 Bus-/Railcat connection line, D-coded, 2.0 m, M12 jack - M12 plug angled, without flange, 4-pole, RADOX®
142MOD49050	M12 Bus-/Railcat connection line, D-coded, 5.0 m, M12 jack - M12 plug angled, without flange, 4-pole, RADOX®
142MOD49100	M12 Bus-/Railcat connection line, D-coded, 10.0 m, M12 jack - M12 plug angled, without flange, 4-pole, RADOX®
142MOD50010	M12 Bus-/Railcat connection cable, D-coded, 1.0 m, RJ45 plug - free line end, 4-pole, RADOX®
142MOD50020	M12 Bus-/Railcat connection cable, D-coded, 2.0 m, RJ45 plug - free line end, 4-pole, RADOX®
142MOD50050	M12 Bus-/Railcat connection cable, D-coded, 5.0 m, RJ45 plug - free line end, 4-pole, RADOX®
142MOD50100	M12 Bus-/Railcat connection cable, D-coded, 10.0 m, RJ45 plug - free line end, 4-pole, RADOX®
142MOD55010	M12 Bus-/Railcat Patch cord, D-coded, 1.0 m, RJ45 plug - RJ45 plug, RADOX®
142MOD55020	M12 Bus-/Railcat Patch cord, D-coded, 2.0 m, RJ45 plug - RJ45 plug, RADOX®
142MOD55050	M12 Bus-/Railcat Patch cord, D-coded, 5.0 m, RJ45 plug - RJ45 plug, RADOX®
142MOD55100	M12 Bus-/Railcat Patch cord, D-coded, 10.0 m, RJ45 plug - RJ45 plug, RADOX®
142MOD59010	M12 Bus-/Railcat connection line, D-coded, 1.0 m, RJ45 plug - M12 plug angled, 4-pole, RADOX®
142MOD59020	M12 Bus-/Railcat connection line, D-coded, 2.0 m, RJ45 plug - M12 plug angled, 4-pole, RADOX®
142MOD59050	M12 Bus-/Railcat connection line, D-coded, 5.0 m, RJ45 plug - M12 plug angled, 4-pole, RADOX®
142MOD59100	M12 Bus-/Railcat connection line, D-coded, 10.0 m, RJ45 plug - M12 plug angled, 4-pole, RADOX®
142MOD90010	M12 Bus-/Railcat connection cable, D-coded, 1.0 m, M12 plug angled - free line end, 4-pole, RADOX®
142MOD90020	M12 Bus-/Railcat connection cable, D-coded, 2.0 m, M12 plug angled - free line end, 4-pole, RADOX®
142MOD90050	M12 Bus-/Railcat connection cable, D-coded, 5.0 m, M12 plug angled - free line end, 4-pole, RADOX®
142MOD90100	M12 Bus-/Railcat connection cable, D-coded, 10.0 m, M12 plug angled - free line end, 4-pole, RADOX®
142MODE0010	M12 Bus-/Railcat connection cable, D-coded, 1.0 m, M12 jack angled - free line end, without flange, 4-pole, RADOX®
142MODE0020	M12 Bus-/Railcat connection cable, D-coded, 2.0 m, M12 jack angled - free line end, without flange, 4-pole, RADOX®
142MODE0050	M12 Bus-/Railcat connection cable, D-coded, 5.0 m, M12 jack angled - free line end, without flange, 4-pole, RADOX®

Data sheet

Page 10/16

**M12 jack, D-coded, IP67, Cat.5, Ø 6-9.7 mm,
field assembly, with flange**

P/N

MMF881A115-0001

EAN 4251394625256

2026/05/20

Version: X

Accessories from

142MODE0100	M12 Bus-/Railcat connection cable, D-coded, 10.0 m, M12 jack angled - free line end, without flange, 4-pole, RADOX®
142MODE5010	M12 Bus-/Railcat connection line, D-coded, 1.0 m, M12 jack angled -RJ45 plug, without flange, 4-pole, RADOX®
142MODE5020	M12 Bus-/Railcat connection line, D-coded, 2.0 m, M12 jack angled - RJ45 plug, without flange, 4-pole, RADOX®
142MODE5050	M12 Bus-/Railcat connection line, D-coded, 5.0 m, M12 jack angled - RJ45 plug, without flange, 4-pole, RADOX®
142MODE5100	M12 Bus-/Railcat connection line, D-coded, 10.0 m, M12 jack angled - RJ45 plug, without flange, 4-pole, RADOX®
142MODE9010	M12 Bus-/Railcat connection line, D-coded, 1.0 m, M12 jack angled - M12 plug angled, without flange, 4-pole, RADOX®
142MODE9020	M12 Bus-/Railcat connection line, D-coded, 2.0 m, M12 jack angled - M12 plug angled, without flange, 4-pole, RADOX®
142MODE9050	M12 Bus-/Railcat connection line, D-coded, 5.0 m, M12 jack angled - M12 plug angled, without flange, 4-pole, RADOX®
142MODE9100	M12 Bus-/Railcat connection line, D-coded, 10.0 m, M12 jack angled - M12 plug angled, without flange, 4-pole, RADOX®
142MPD10010	M12 Bus-/Railcat connection cable, D-coded, 1.0 m, M12 plug - free line end, 4-pole, BETAtrans®
142MPD10020	M12 Bus-/Railcat connection cable, D-coded, 2.0 m, M12 plug - free line end, 4-pole, BETAtrans®
142MPD10050	M12 Bus-/Railcat connection cable, D-coded, 5.0 m, M12 plug - free line end, 4-pole, BETAtrans®
142MPD10100	M12 Bus-/Railcat connection cable, D-coded, 10.0 m, M12 plug - free line end, 4-pole, BETAtrans®
142MPD11010	M12 Bus-/Railcat connection line, D-coded, 1.0 m, M12 plug - M12 plug, 4-pole, BETAtrans®
142MPD11020	M12 Bus-/Railcat connection line, D-coded, 2.0 m, M12 plug - M12 plug, 4-pole, BETAtrans®
142MPD11050	M12 Bus-/Railcat connection line, D-coded, 5.0 m, M12 plug - M12 plug, 4-pole, BETAtrans®
142MPD11100	M12 Bus-/Railcat connection line, D-coded, 10.0 m, M12 plug - M12 plug, 4-pole, BETAtrans®
142MPD12010	M12 Bus-/Railcat connection line, D-coded, 1.0 m, M12 plug - M12 jack, 4-pole, BETAtrans®
142MPD12020	M12 Bus-/Railcat connection line, D-coded, 2.0 m, M12 plug - M12 jack, 4-pole, BETAtrans®
142MPD12050	M12 Bus-/Railcat connection line, D-coded, 5.0 m, M12 plug - M12 jack, 4-pole, BETAtrans®
142MPD12100	M12 Bus-/Railcat connection line, D-coded, 10.0 m, M12 plug - M12 jack, 4-pole, BETAtrans®
142MPD13010	M12 Bus-/Railcat connection line, D-coded, 1.0 m, M12 plug - M12 jack angled, 4-pole, BETAtrans®



Data sheet

**M12 jack, D-coded, IP67, Cat.5, Ø 6-9.7 mm,
field assembly, with flange**

P/N

MMF881A115-0001

EAN 4251394625256

2026/05/20

Version: X

Accessories from

142MPD13020	M12 Bus-/Railcat connection line, D-coded, 2.0 m, M12 plug - M12 jack angled, 4-pole, BETrans®
142MPD13050	M12 Bus-/Railcat connection line, D-coded, 5.0 m, M12 plug - M12 jack angled, 4-pole, BETrans®
142MPD13100	M12 Bus-/Railcat connection line, D-coded, 10.0 m, M12 plug - M12 jack angled, 4-pole, BETrans®
142MPD14010	M12 Bus-/Railcat connection line, D-coded, 1.0 m, M12 plug - M12 jack, without flange, 4-pole, BETrans®
142MPD14020	M12 Bus-/Railcat connection line, D-coded, 2.0 m, M12 plug - M12 jack, without flange, 4-pole, BETrans®
142MPD14050	M12 Bus-/Railcat connection line, D-coded, 5.0 m, M12 plug - M12 jack, without flange, 4-pole, BETrans®
142MPD14100	M12 Bus-/Railcat connection line, D-coded, 10.0 m, M12 plug - M12 jack, without flange, 4-pole, BETrans®
142MPD15010	M12 Bus-/Railcat connection line, D-coded, 1.0 m, M12 plug - RJ45 plug, 4-pole, BETrans®
142MPD15020	M12 Bus-/Railcat connection line, D-coded, 2.0 m, M12 plug - RJ45 plug, 4-pole, BETrans®
142MPD15050	M12 Bus-/Railcat connection line, D-coded, 5.0 m, M12 plug - RJ45 plug, 4-pole, BETrans®
142MPD15100	M12 Bus-/Railcat connection line, D-coded, 10.0 m, M12 plug - RJ45 plug, 4-pole, BETrans®
142MPD19010	M12 Bus-/Railcat connection line, D-coded, 1.0 m, M12 plug - M12 plug angled, 4-pole, BETrans®
142MPD19020	M12 Bus-/Railcat connection line, D-coded, 2.0 m, M12 plug - M12 plug angled, 4-pole, BETrans®
142MPD19050	M12 Bus-/Railcat connection line, D-coded, 5.0 m, M12 plug - M12 plug angled, 4-pole, BETrans®
142MPD19100	M12 Bus-/Railcat connection line, D-coded, 10.0 m, M12 plug - M12 plug angled, 4-pole, BETrans®
142MPD1E010	M12 Bus-/Railcat connection line, D-coded, 1.0 m, M12 plug - M12 jack angled, without flange, 4-pole, BETrans®
142MPD1E020	M12 Bus-/Railcat connection line, D-coded, 2.0 m, M12 plug - M12 jack angled, without flange, 4-pole, BETrans®
142MPD1E050	M12 Bus-/Railcat connection line, D-coded, 5.0 m, M12 plug - M12 jack angled, without flange, 4-pole, BETrans®
142MPD1E100	M12 Bus-/Railcat connection line, D-coded, 10.0 m, M12 plug - M12 jack angled, without flange, 4-pole, BETrans®
142MPD20010	M12 Bus-/Railcat connection cable, D-coded, 1.0 m, M12 jack - free line end, 4-pole, BETrans®
142MPD20020	M12 Bus-/Railcat connection cable, D-coded, 2.0 m, M12 jack - free line end, 4-pole, BETrans®
142MPD20050	M12 Bus-/Railcat connection cable, D-coded, 5.0 m, M12 jack - free line end, 4-pole, BETrans®



Data sheet

Page 12/16

**M12 jack, D-coded, IP67, Cat.5, Ø 6-9.7 mm,
field assembly, with flange**

P/N

MMF881A115-0001

EAN 4251394625256

2026/05/20

Version: X

Accessories from

142MPD20100	M12 Bus-/Railcat connection cable, D-coded, 10.0 m, M12 jack - free line end, 4-pole, BETrans®
142MPD25010	M12 Bus-/Railcat connection line, D-coded, 1.0 m, M12 jack - RJ45 plug, 4-pole, BETrans®
142MPD25020	M12 Bus-/Railcat connection line, D-coded, 2.0 m, M12 jack - RJ45 plug, 4-pole, BETrans®
142MPD25050	M12 Bus-/Railcat connection line, D-coded, 5.0 m, M12 jack - RJ45 plug, 4-pole, BETrans®
142MPD25100	M12 Bus-/Railcat connection line, D-coded, 10.0 m, M12 jack - RJ45 plug, 4-pole, BETrans®
142MPD29010	M12 Bus-/Railcat connection line, D-coded, 1.0 m, M12 jack - M12 plug angled, 4-pole, BETrans®
142MPD29020	M12 Bus-/Railcat connection line, D-coded, 2.0 m, M12 jack - M12 plug angled, 4-pole, BETrans®
142MPD29050	M12 Bus-/Railcat connection line, D-coded, 5.0 m, M12 jack - M12 plug angled, 4-pole, BETrans®
142MPD29100	M12 Bus-/Railcat connection line, D-coded, 10.0 m, M12 jack - M12 plug angled, 4-pole, BETrans®
142MPD30010	M12 Bus-/Railcat connection cable, D-coded, 1.0 m, M12 jack angled - free line end, 4-pole, BETrans®
142MPD30020	M12 Bus-/Railcat connection cable, D-coded, 2.0 m, M12 jack angled - free line end, 4-pole, BETrans®
142MPD30050	M12 Bus-/Railcat connection cable, D-coded, 5.0 m, M12 jack angled - free line end, 4-pole, BETrans®
142MPD30100	M12 Bus-/Railcat connection cable, D-coded, 10.0 m, M12 jack angled - free line end, 4-pole, BETrans®
142MPD35010	M12 Bus-/Railcat connection line, D-coded, 1.0 m, M12 jack angled -RJ45 plug, 4-pole, BETrans®
142MPD35020	M12 Bus-/Railcat connection line, D-coded, 2.0 m, M12 jack angled - RJ45 plug, 4-pole, BETrans®
142MPD35050	M12 Bus-/Railcat connection line, D-coded, 5.0 m, M12 jack angled - RJ45 plug, 4-pole, BETrans®
142MPD35100	M12 Bus-/Railcat connection line, D-coded, 10.0 m, M12 jack angled - RJ45 plug, 4-pole, BETrans®
142MPD39010	M12 Bus-/Railcat connection line, D-coded, 1.0 m, M12 jack angled - M12 plug angled, 4-pole, BETrans®
142MPD39020	M12 Bus-/Railcat connection line, D-coded, 2.0 m, M12 jack angled - M12 plug angled, 4-pole, BETrans®
142MPD39050	M12 Bus-/Railcat connection line, D-coded, 5.0 m, M12 jack angled - M12 plug angled, 4-pole, BETrans®
142MPD39100	M12 Bus-/Railcat connection line, D-coded, 10.0 m, M12 jack angled - M12 plug angled, 4-pole, BETrans®
142MPD40010	M12 Bus-/Railcat connection cable, D-coded, 1.0 m, M12 jack - free line end, without flange, 4-pole, BETrans®

Data sheet

Page 13/16

**M12 jack, D-coded, IP67, Cat.5, Ø 6-9.7 mm,
field assembly, with flange**

P/N

MMF881A115-0001

EAN 4251394625256

2026/05/20

Version: X

Accessories from

142MPD40020	M12 Bus-/Railcat connection cable, D-coded, 2.0 m, M12 jack - free line end, without flange, 4-pole, BETAtrans®
142MPD40050	M12 Bus-/Railcat connection cable, D-coded, 5.0 m, M12 jack - free line end, without flange, 4-pole, BETAtrans®
142MPD40100	M12 Bus-/Railcat connection cable, D-coded, 10.0 m, M12 jack - free line end, without flange, 4-pole, BETAtrans®
142MPD45010	M12 Bus-/Railcat connection line, D-coded, 1.0 m, M12 jack - RJ45 plug, without flange, 4-pole, BETAtrans®
142MPD45020	M12 Bus-/Railcat connection line, D-coded, 2.0 m, M12 jack - RJ45 plug, without flange, 4-pole, BETAtrans®
142MPD45050	M12 Bus-/Railcat connection line, D-coded, 5.0 m, M12 jack - RJ45 plug, without flange, 4-pole, BETAtrans®
142MPD45100	M12 Bus-/Railcat connection line, D-coded, 10.0 m, M12 jack - RJ45 plug, without flange, 4-pole, BETAtrans®
142MPD49010	M12 Bus-/Railcat connection line, D-coded, 1.0 m, M12 jack - M12 plug angled, without flange, 4-pole, BETAtrans®
142MPD49020	M12 Bus-/Railcat connection line, D-coded, 2.0 m, M12 jack - M12 plug angled, without flange, 4-pole, BETAtrans®
142MPD49050	M12 Bus-/Railcat connection line, D-coded, 5.0 m, M12 jack - M12 plug angled, without flange, 4-pole, BETAtrans®
142MPD49100	M12 Bus-/Railcat connection line, D-coded, 10.0 m, M12 jack - M12 plug angled, without flange, 4-pole, BETAtrans®
142MPD50010	M12 Bus-/Railcat connection cable, D-coded, 1.0 m, RJ45 plug - free line end, 4-pole, BETAtrans®
142MPD50020	M12 Bus-/Railcat connection cable, D-coded, 2.0 m, RJ45 plug - free line end, 4-pole, BETAtrans®
142MPD50050	M12 Bus-/Railcat connection cable, D-coded, 5.0 m, RJ45 plug - free line end, 4-pole, BETAtrans®
142MPD50100	M12 Bus-/Railcat connection cable, D-coded, 10.0 m, RJ45 plug - free line end, 4-pole, BETAtrans®
142MPD55010	M12 Bus-/Railcat Patch cord, D-coded, 1.0 m, RJ45 plug - RJ45 plug, BETAtrans®
142MPD55020	M12 Bus-/Railcat Patch cord, D-coded, 2.0 m, RJ45 plug - RJ45 plug, BETAtrans®
142MPD55050	M12 Bus-/Railcat Patch cord, D-coded, 5.0 m, RJ45 plug - RJ45 plug, BETAtrans®
142MPD55100	M12 Bus-/Railcat Patch cord, D-coded, 10.0 m, RJ45 plug - RJ45 plug, BETAtrans®
142MPD59010	M12 Bus-/Railcat connection line, D-coded, 1.0 m, RJ45 plug - M12 plug angled, 4-pole, BETAtrans®
142MPD59020	M12 Bus-/Railcat connection line, D-coded, 2.0 m, RJ45 plug - M12 plug angled, 4-pole, BETAtrans®
142MPD59050	M12 Bus-/Railcat connection line, D-coded, 5.0 m, RJ45 plug - M12 plug angled, 4-pole, BETAtrans®

© 2026 METZ CONNECT - Technische Änderungen vorbehalten! Subject to modifications! Sous réserve de modifications techniques!

Data sheet

**M12 jack, D-coded, IP67, Cat.5, Ø 6-9.7 mm,
field assembly, with flange**

P/N
MMF881A115-0001
EAN 4251394625256
2026/05/20
Version: X

Accessories from

142MPD59100	M12 Bus-/Railcat connection line, D-coded, 10.0 m, RJ45 plug - M12 plug angled, 4-pole, BETAtrans®
142MPD90010	M12 Bus-/Railcat connection cable, D-coded, 1.0 m, M12 plug angled - free line end, 4-pole, BETAtrans®
142MPD90020	M12 Bus-/Railcat connection cable, D-coded, 2.0 m, M12 plug angled - free line end, 4-pole, BETAtrans®
142MPD90050	M12 Bus-/Railcat connection cable, D-coded, 5.0 m, M12 plug angled - free line end, 4-pole, BETAtrans®
142MPD90100	M12 Bus-/Railcat connection cable, D-coded, 10.0 m, M12 plug angled - free line end, 4-pole, BETAtrans®
142MPDE0010	M12 Bus-/Railcat connection cable, D-coded, 1.0 m, M12 jack angled - free line end, without flange, 4-pole, BETAtrans®
142MPDE0020	M12 Bus-/Railcat connection cable, D-coded, 2.0 m, M12 jack angled - free line end, without flange, 4-pole, BETAtrans®
142MPDE0050	M12 Bus-/Railcat connection cable, D-coded, 5.0 m, M12 jack angled - free line end, without flange, 4-pole, BETAtrans®
142MPDE0100	M12 Bus-/Railcat connection cable, D-coded, 10.0 m, M12 jack angled - free line end, without flange, 4-pole, BETAtrans®
142MPDE5010	M12 Bus-/Railcat connection line, D-coded, 1.0 m, M12 jack angled -RJ45 plug, without flange, 4-pole, BETAtrans®
142MPDE5020	M12 Bus-/Railcat connection line, D-coded, 2.0 m, M12 jack angled - RJ45 plug, without flange, 4-pole, BETAtrans®
142MPDE5050	M12 Bus-/Railcat connection line, D-coded, 5.0 m, M12 jack angled - RJ45 plug, without flange, 4-pole, BETAtrans®
142MPDE5100	M12 Bus-/Railcat connection line, D-coded, 10.0 m, M12 jack angled - RJ45 plug, without flange, 4-pole, BETAtrans®
142MPDE9010	M12 Bus-/Railcat connection line, D-coded, 1.0 m, M12 jack angled - M12 plug angled, without flange, 4-pole, BETAtrans®
142MPDE9020	M12 Bus-/Railcat connection line, D-coded, 2.0 m, M12 jack angled - M12 plug angled, without flange, 4-pole, BETAtrans®
142MPDE9050	M12 Bus-/Railcat connection line, D-coded, 5.0 m, M12 jack angled - M12 plug angled, without flange, 4-pole, BETAtrans®
142MPDE9100	M12 Bus-/Railcat connection line, D-coded, 10.0 m, M12 jack angled - M12 plug angled, without flange, 4-pole, BETAtrans®
142MQX10010	M12 Bus-/Railcat connection cable, X-coded, 1.0 m, M12 plug - free line end, 8-pole, RADOX®
142MQX10020	M12 Bus-/Railcat connection cable, X-coded, 2.0 m, M12 plug - free line end, 8-pole, RADOX®
142MQX10050	M12 Bus-/Railcat connection cable, X-coded, 5.0 m, M12 plug - free line end, 8-pole, RADOX®
142MQX10100	M12 Bus-/Railcat connection cable, X-coded, 10.0 m, M12 plug - free line end, 8-pole, RADOX®
142MQX11010	M12 Bus-/Railcat connection line, X-coded, 1.0 m, M12 plug - M12 plug, 8-pole, RADOX®

Data sheet

Page 15/16

**M12 jack, D-coded, IP67, Cat.5, Ø 6-9.7 mm,
field assembly, with flange**

P/N

MMF881A115-0001

EAN 4251394625256

2026/05/20

Version: X

Accessories from

142MQX11020	M12 Bus-/Railcat connection line, X-coded, 2.0 m, M12 plug - M12 plug, 8-pole, RADOX®
142MQX11050	M12 Bus-/Railcat connection line, X-coded, 5.0 m, M12 plug - M12 plug, 8-pole, RADOX®
142MQX11100	M12 Bus-/Railcat connection line, X-coded, 10.0 m, M12 plug - M12 plug, 8-pole, RADOX®
142MQX12010	M12 Bus-/Railcat connection line, X-coded, 1.0 m, M12 plug - M12 jack, 8-pole, RADOX®
142MQX12020	M12 Bus-/Railcat connection line, X-coded, 2.0 m, M12 plug - M12 jack, 8-pole, RADOX®
142MQX12050	M12 Bus-/Railcat connection line, X-coded, 5.0 m, M12 plug - M12 jack, 8-pole, RADOX®
142MQX12100	M12 Bus-/Railcat connection line, X-coded, 10.0 m, M12 plug - M12 jack, 8-pole, RADOX®
142MQX14010	M12 Bus-/Railcat connection line, X-coded, 1.0 m, M12 plug - M12 plug, without flange, 8-pole, RADOX®
142MQX14020	M12 Bus-/Railcat connection line, X-coded, 2.0 m, M12 plug - M12 plug, without flange, 8-pole, RADOX®
142MQX14050	M12 Bus-/Railcat connection line, X-coded, 5.0 m, M12 plug - M12 plug, without flange, 8-pole, RADOX®
142MQX14100	M12 Bus-/Railcat connection line, X-coded, 10.0 m, M12 plug - M12 plug, without flange, 8-pole, RADOX®
142MQX20010	M12 Bus-/Railcat connection cable, X-coded, 1.0 m, M12 jack - free cable end, 8-pole, RADOX®
142MQX20020	M12 Bus-/Railcat connection cable, X-coded, 2.0 m, M12 jack - free cable end, 8-pole, RADOX®
142MQX20050	M12 Bus-/Railcat connection cable, X-coded, 5.0 m, M12 jack - free cable end, 8-pole, RADOX®
142MQX20100	M12 Bus-/Railcat connection cable, X-coded, 10.0 m, M12 jack - free cable end, 8-pole, RADOX®
142MQX40010	M12 Bus-/Railcat connection line, X-coded, 1.0 m, M12 plug - M12 jack, without flange, 8-pole, RADOX®
142MQX40020	M12 Bus-/Railcat connection line, X-coded, 2.0 m, M12 plug - M12 jack, without flange, 8-pole, RADOX®
142MQX40050	M12 Bus-/Railcat connection line, X-coded, 5.0 m, M12 plug - M12 jack, without flange, 8-pole, RADOX®
142MQX40100	M12 Bus-/Railcat connection line, X-coded, 10.0 m, M12 plug - M12 jack, without flange, 8-pole, RADOX®



Data sheet

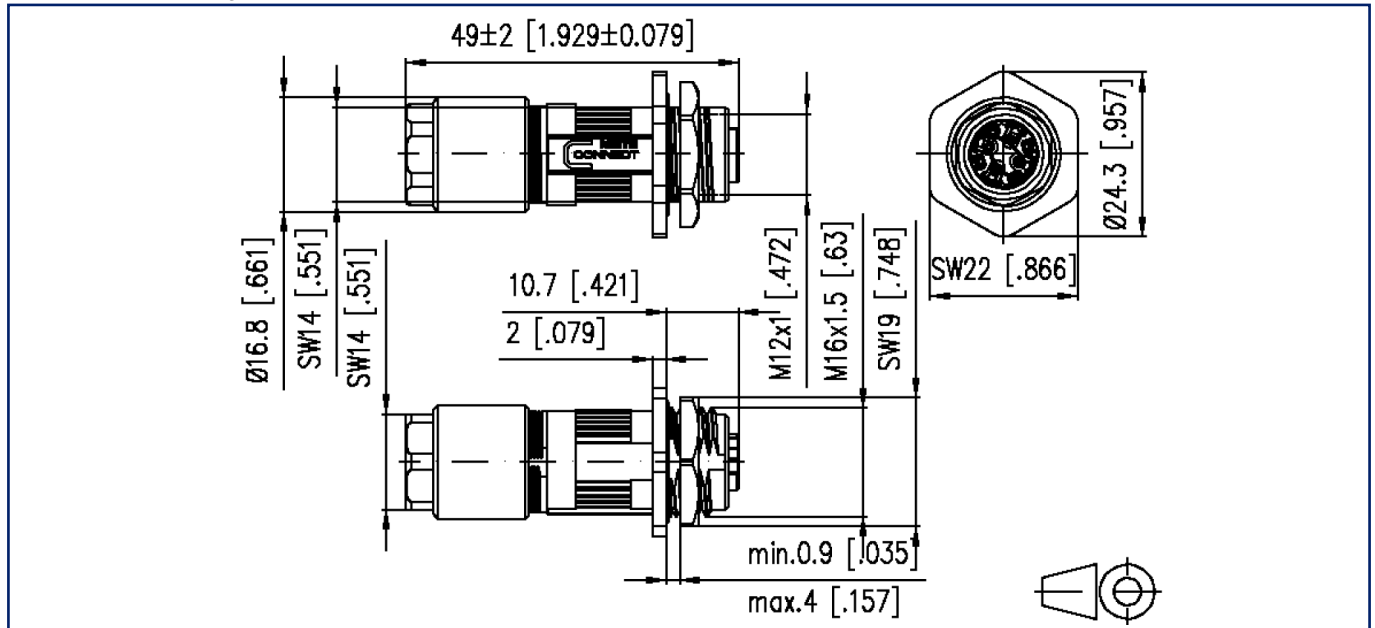
Page 16/16

**M12 jack, D-coded, IP67, Cat.5, Ø 6-9.7 mm,
field assembly, with flange**

P/N
MMF881A115-0001
EAN 4251394625256
2026/05/20
Version: X

Illustrations

Dimensional drawing



Wiring diagram

