

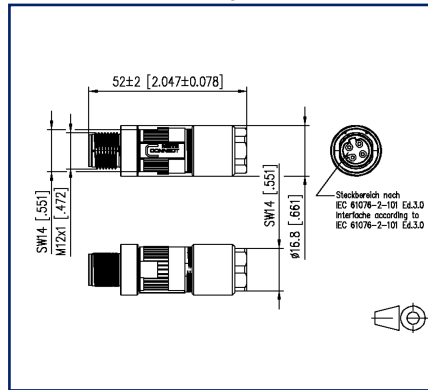
Data sheet

M12 plug, D-coded, IP67, Cat.5, Ø 6-9.7 mm, field assembly, straight

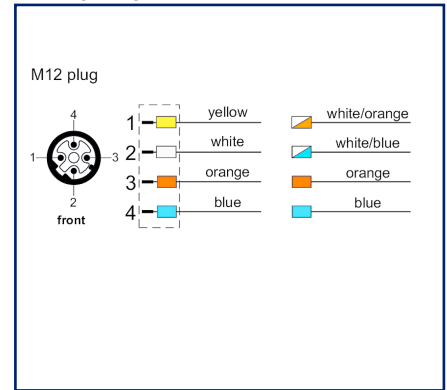
Illustrations



Dimensional drawing



Wiring diagram



See enlarged drawings at the end of document

Product specification

- field-attachable M12 plug, Cat.5, D-coded based on DIN EN 61076-2-101
- for a 4 wire cable connection
- connection of AWG 26/7 - 22/7, AWG 24/1 - 22/1 possible
- solid copper wire diameter from 0.4 to 0.64 mm
- stranded copper wire diameter from 0.48 to 0.76 mm
- conductor diameter up to 1.6 mm
- cable jacket from 6.0 to 9.7 mm
- consists of only 2 parts
- easy assembly - connection without special tools
- zinc die-cast housing for industrial use
- suitable for applications in the railway industry according to data sheet



M12 plug, D-coded, IP67, Cat.5, Ø 6-9.7 mm, field assembly, straight

P/N
MNF881A115

EAN 4250184190318

2026/05/20

Version: AA

Technical Data

General Data

| | |
|---|-----------------------------------|
| Electromagnetic measurement according to MICE | E2 |
| Design | plug |
| Shielding | shielded |
| Transmission technology | Copper |
| Dimensions | |
| Dimension (L x W x H) | 52 mm x 16.8 mm x 16.8 mm |
| Dimension (L x W x H) | 2.047 in. x 0.661 in. x 0.661 in. |
| Field assembly ability | yes |
| Labeling option | on housing |

Transmission characteristics

| | |
|-----------------|--------------|
| Category (ISO) | 5 |
| Category (TIA) | 5 |
| Remote Powering | yes |
| PoE | IEEE 802.3af |
| PoE plus | IEEE 802.3at |

Connections/interfaces

| | |
|--|---|
| Connector technology interface 1 | IDC-connection |
| Connector technology interface 2 | M12-plug |
| Coding interface 2 | D-coded |
| Number of ports interface 2 | 1 |
| Number of ports interface 2 equipped | 1 |
| Number of positions/contacts interface 1 | 4 |
| Number of positions/contacts interface 2 | 4 |
| Termination data, solid wire (min. - max.) | |
| Conductor cross section, solid wire | AWG 24/1 - AWG 22/1 |
| Conductor cross section, solid wire | 0.205 mm ² - 0.324 mm ² |
| Conductor diameter, solid wire (bare copper) | 0.511 mm - 0.643 mm |
| Conductor diameter, solid wire (bare copper) | 0.02 in. - 0.025 in. |

M12 plug, D-coded, IP67, Cat.5, Ø 6-9.7 mm, field assembly, straight

P/N
MNF881A115

EAN 4250184190318

2026/05/20

Version: AA

Technical Data

Connections/interfaces

Termination data, stranded wire (min. - max.)

| | |
|---|---|
| Conductor cross section, stranded wire | AWG 26/7 - AWG 22/7 |
| Conductor cross section, stranded wire | 0.141 mm ² - 0.355 mm ² |
| Conductor diameter, stranded wire (bare copper) | 0.483 mm - 0.762 mm |
| Conductor diameter, stranded wire (bare copper) | 0.019 in. - 0.03 in. |
| Aderdurchmesser (min.-max.) | |
| Core diameter (conductor with insulation) | 0.85 mm - 1.6 mm |
| Core diameter (conductor with insulation) | 0.033 in. - 0.063 in. |
| Cable sheath diameter (min. - max.) | |
| Cable sheath diameter | 6 mm - 9.70 |
| Cable sheath diameter | 0.236 in. - 0.382 |
| Cable access/outlet | straight M12 |

Electrical characteristics

| | |
|---|---------------|
| Current carrying capacity | max. 1 A |
| Rated voltage | 60 V |
| Insulation resistance | min. 100 MOhm |
| Dielectric strength conductor-conductor (secondary) | 1400 V DC |

Mechanical data

| | |
|--------------------------------|-----------|
| Mounting method | screwable |
| Life - Number of mating cycles | min. 100 |

Materials and material properties

| | |
|-----------------------------|-----------------------|
| Material - Housing | GD-Zn |
| Material - Contact | CuZnPb (brass) |
| Material - Contact finish | Ni + Au (nickel-gold) |
| Material - Contact carriers | PA UL 94 V0 |
| Material - Shield | CuSn |
| Material - Shield finish | Sn |
| Material - Stuffer cap | PA UL94-V0 |
| Halogen free | yes |
| Material - Finish | Ni (nickel) |
| RoHS | compliant |

Data sheet

M12 plug, D-coded, IP67, Cat.5, Ø 6-9.7 mm, field assembly, straight

P/N
MNF881A115
EAN 4250184190318
 2026/05/20
 Version: AA

Technical Data

Environmental conditions

| | |
|--------------------------------------|-------------------------------------|
| Temperature (min. - max.) | |
| Temperature - Storage °C | -40 °C - 85 °C |
| Temperature - Storage °F | -40 °F - 185 °F |
| Temperature - Operating °C | -40 °C - 85 °C |
| Temperature - Operating °F | -40 °F - 185 °F |
| Particulate ingress | |
| Particulate ingress interface 1 | IP2X |
| Liquid ingress/immersion | |
| Liquid ingress/immersion interface 1 | IPX0 |
| Particulate ingress interface 2 | IP6X when plugged in |
| Liquid ingress/immersion interface 2 | IPX7 when plugged in |
| Damp heat | 25 °C / +40 °C / 93% RH // 5 cycles |
| Overvoltage category | III |
| Degree of pollution | 2 |
| Shock | 490 m/s ² |

Approvals

| | | |
|----------------------|--|--------------|
| UL listed (file no.) |  | DUXR.E178484 |
|----------------------|--|--------------|

Standards/Regulations

| | |
|---|--|
| Application-specific communications cabling systems | |
| Profinet | yes |
| Connectors for electronic equipment | |
| circular connector | DIN EN 61076-2-101 |
| Connectors for electronic equipment - Tests and measurements | |
| Test standard for connectors (engaging and separating connectors under electrical load) | DIN-EN 60512-99-001 |
| Railway applications | |
| Contact holder | Thermoplastic HL1-HL3; R22, R23 according to EN 45545-2:2020+A1:2023 |
| Flammable mass (g) | 1.2 g |
| Stuffer cap | Thermoplastic HL1-HL3; R22, R23 according to EN 45545-2:2020+A1:2023 |
| Flammable mass (g) | 0.97 g |

Data sheet

Page 5/17

**M12 plug, D-coded, IP67, Cat.5, Ø 6-9.7 mm,
field assembly, straight**

P/N
MNF881A115

EAN 4250184190318

2026/05/20

Version: AA

Technical Data

Standards/Regulations

Railway applications

| | |
|---------------------|---|
| Sealings | Elastomer |
| Flammable mass (g) | 1.68 g |
| Shock and vibration | EN 50155:2021, EN 61373:2010 Class 1 Category B |
| Salt spray | EN 50155:2021, (DIN EN 60068-2-11:2000-02/ 48-hour KA test) |

Classifications

| | |
|-----------|----------|
| ETIM 7.0 | EC002635 |
| ETIM 8.0 | EC002635 |
| ETIM 9.0 | EC002635 |
| ETIM 10.0 | EC002635 |

Packing details

Type of packaging 10 pc(s) / box

Application note

This product is a standard product of METZ CONNECT. METZ CONNECT is not aware of the specific intended use of the goods by the Customer or any customers of the Customer. The Customer guarantees that it has fully and sufficiently tested the use of the goods and any product modifications, product changes or product enhancements with regard to the specific intended use in accordance with the state of the art or in any other way. At METZ CONNECT's request, the Customer shall submit and make available meaningful evidence (e.g. test and laboratory protocols, certifications, etc.).

Data sheet

Page 6/17

**M12 plug, D-coded, IP67, Cat.5, Ø 6-9.7 mm,
field assembly, straight**

P/N

MNF881A115

EAN 4250184190318

2026/05/20

Version: AA

Accessories

| P/N | Designation |
|--------|------------------------------|
| 700669 | M12 plug protection cap IP54 |



Data sheet

Page 7/17

**M12 plug, D-coded, IP67, Cat.5, Ø 6-9.7 mm,
field assembly, straight**

P/N

MNF881A115

EAN 4250184190318

2026/05/20

Version: AA

Accessories from

| P/N | Designation |
|-------------|--|
| 142MOD10010 | M12 Bus-/Railcat connection cable, D-coded, 1.0 m, M12 plug - free line end, 4-pole, RADOX® |
| 142MOD10020 | M12 Bus-/Railcat connection cable, D-coded, 2.0 m, M12 plug - free line end, 4-pole, RADOX® |
| 142MOD10050 | M12 Bus-/Railcat connection cable, D-coded, 5.0 m, M12 plug - free line end, 4-pole, RADOX® |
| 142mod10100 | M12 Bus-/Railcat connection cable, D-coded, 10.0 m, M12 plug - free line end, 4-pole, RADOX® |
| 142MOD11010 | M12 Bus-/Railcat connection line, D-coded, 1.0 m, M12 plug - M12 plug, 4-pole, RADOX® |
| 142MOD11020 | M12 Bus-/Railcat connection line, D-coded, 2.0 m, M12 plug - M12 plug, 4-pole, RADOX® |
| 142MOD11050 | M12 Bus-/Railcat connection line, D-coded, 5.0 m, M12 plug - M12 plug, 4-pole, RADOX® |
| 142MOD11100 | M12 Bus-/Railcat connection line, D-coded, 10.0 m, M12 plug - M12 plug, 4-pole, RADOX® |
| 142MOD12010 | M12 Bus-/Railcat connection line, D-coded, 1.0 m, M12 plug - M12 jack, 4-pole, RADOX® |
| 142MOD12020 | M12 Bus-/Railcat connection line, D-coded, 2.0 m, M12 plug - M12 jack, 4-pole, RADOX® |
| 142MOD12050 | M12 Bus-/Railcat connection line, D-coded, 5.0 m, M12 plug - M12 jack, 4-pole, RADOX® |
| 142MOD12100 | M12 Bus-/Railcat connection line, D-coded, 10.0 m, M12 plug - M12 jack, 4-pole, RADOX® |
| 142MOD13010 | M12 Bus-/Railcat connection line, D-coded, 1.0 m, M12 plug - M12 jack angled, 4-pole, RADOX® |
| 142MOD13020 | M12 Bus-/Railcat connection line, D-coded, 2.0 m, M12 plug - M12 jack angled, 4-pole, RADOX® |
| 142MOD13050 | M12 Bus-/Railcat connection line, D-coded, 5.0 m, M12 plug - M12 jack angled, 4-pole, RADOX® |
| 142MOD13100 | M12 Bus-/Railcat connection line, D-coded, 10.0 m, M12 plug - M12 jack angled, 4-pole, RADOX® |
| 142MOD14010 | M12 Bus-/Railcat connection line, D-coded, 1.0 m, M12 plug - M12 jack, without flange, 4-pole, RADOX® |
| 142MOD14020 | M12 Bus-/Railcat connection line, D-coded, 2.0 m, M12 plug - M12 jack, without flange, 4-pole, RADOX® |
| 142MOD14050 | M12 Bus-/Railcat connection line, D-coded, 5.0 m, M12 plug - M12 jack, without flange, 4-pole, RADOX® |
| 142MOD14100 | M12 Bus-/Railcat connection line, D-coded, 10.0 m, M12 plug - M12 jack, without flange, 4-pole, RADOX® |
| 142MOD15010 | M12 Bus-/Railcat connection line, D-coded, 1.0 m, M12 plug - RJ45 plug, 4-pole, RADOX® |

Data sheet

Page 8/17

**M12 plug, D-coded, IP67, Cat.5, Ø 6-9.7 mm,
field assembly, straight**

P/N

MNF881A115

EAN 4250184190318

2026/05/20

Version: AA

Accessories from

| | |
|-------------|---|
| 142MOD15020 | M12 Bus-/Railcat connection line, D-coded, 2.0 m, M12 plug - RJ45 plug, 4-pole, RADOX® |
| 142MOD15050 | M12 Bus-/Railcat connection line, D-coded, 5.0 m, M12 plug - RJ45 plug, 4-pole, RADOX® |
| 142MOD15100 | M12 Bus-/Railcat connection line, D-coded, 10.0 m, M12 plug - RJ45 plug, 4-pole, RADOX® |
| 142MOD19010 | M12 Bus-/Railcat connection line, D-coded, 1.0 m, M12 plug - M12 plug angled, 4-pole, RADOX® |
| 142MOD19020 | M12 Bus-/Railcat connection line, D-coded, 2.0 m, M12 plug - M12 plug angled, 4-pole, RADOX® |
| 142MOD19050 | M12 Bus-/Railcat connection line, D-coded, 5.0 m, M12 plug - M12 plug angled, 4-pole, RADOX® |
| 142MOD19100 | M12 Bus-/Railcat connection line, D-coded, 10.0 m, M12 plug - M12 plug angled, 4-pole, RADOX® |
| 142MOD1E010 | M12 Bus-/Railcat connection line, D-coded, 1.0 m, M12 plug - M12 jack angled, without flange, 4-pole, RADOX® |
| 142MOD1E020 | M12 Bus-/Railcat connection line, D-coded, 2.0 m, M12 plug - M12 jack angled, without flange, 4-pole, RADOX® |
| 142MOD1E050 | M12 Bus-/Railcat connection line, D-coded, 5.0 m, M12 plug - M12 jack angled, without flange, 4-pole, RADOX® |
| 142MOD1E100 | M12 Bus-/Railcat connection line, D-coded, 10.0 m, M12 plug - M12 jack angled, without flange, 4-pole, RADOX® |
| 142MOD20010 | M12 Bus-/Railcat connection cable, D-coded, 1.0 m, M12 jack - free line end, 4-pole, RADOX® |
| 142MOD20020 | M12 Bus-/Railcat connection cable, D-coded, 2.0 m, M12 jack - free line end, 4-pole, RADOX® |
| 142MOD20050 | M12 Bus-/Railcat connection cable, D-coded, 5.0 m, M12 jack - free line end, 4-pole, RADOX® |
| 142MOD20100 | M12 Bus-/Railcat connection cable, D-coded, 10.0 m, M12 jack - free line end, 4-pole, RADOX® |
| 142MOD25010 | M12 Bus-/Railcat connection line, D-coded, 1.0 m, M12 jack - RJ45 plug, 4-pole, RADOX® |
| 142MOD25020 | M12 Bus-/Railcat connection line, D-coded, 2.0 m, M12 jack - RJ45 plug, 4-pole, RADOX® |
| 142MOD25050 | M12 Bus-/Railcat connection line, D-coded, 5.0 m, M12 jack - RJ45 plug, 4-pole, RADOX® |
| 142MOD25100 | M12 Bus-/Railcat connection line, D-coded, 10.0 m, M12 jack - RJ45 plug, 4-pole, RADOX® |
| 142MOD29010 | M12 Bus-/Railcat connection line, D-coded, 1.0 m, M12 jack - M12 plug angled, 4-pole, RADOX® |
| 142MOD29020 | M12 Bus-/Railcat connection line, D-coded, 2.0 m, M12 jack - M12 plug angled, 4-pole, RADOX® |
| 142MOD29050 | M12 Bus-/Railcat connection line, D-coded, 5.0 m, M12 jack - M12 plug angled, 4-pole, RADOX® |

© 2026 METZ CONNECT - Technische Änderungen vorbehalten! Subject to modifications! Sous réserve de modifications techniques!

**M12 plug, D-coded, IP67, Cat.5, Ø 6-9.7 mm,
field assembly, straight**

P/N

MNF881A115

EAN 4250184190318

2026/05/20

Version: AA

Accessories from

| | |
|-------------|--|
| 142MOD29100 | M12 Bus-/Railcat connection line, D-coded, 10.0 m, M12 jack - M12 plug angled, 4-pole, RADOX® |
| 142MOD30010 | M12 Bus-/Railcat connection cable, D-coded, 1.0 m, M12 jack angled - free line end, 4-pole, RADOX® |
| 142MOD30020 | M12 Bus-/Railcat connection cable, D-coded, 2.0 m, M12 jack angled - free line end, 4-pole, RADOX® |
| 142MOD30050 | M12 Bus-/Railcat connection cable, D-coded, 5.0 m, M12 jack angled - free line end, 4-pole, RADOX® |
| 142MOD30100 | M12 Bus-/Railcat connection cable, D-coded, 10.0 m, M12 jack angled - free line end, 4-pole, RADOX® |
| 142MOD35010 | M12 Bus-/Railcat connection line, D-coded, 1.0 m, M12 jack angled - RJ45 plug, 4-pole, RADOX® |
| 142MOD35020 | M12 Bus-/Railcat connection line, D-coded, 2.0 m, M12 jack angled - RJ45 plug, 4-pole, RADOX® |
| 142MOD35050 | M12 Bus-/Railcat connection line, D-coded, 5.0 m, M12 jack angled - RJ45 plug, 4-pole, RADOX® |
| 142MOD35100 | M12 Bus-/Railcat connection line, D-coded, 10.0 m, M12 jack angled - RJ45 plug, 4-pole, RADOX® |
| 142MOD39010 | M12 Bus-/Railcat connection line, D-coded, 1.0 m, M12 jack angled - M12 plug angled, 4-pole, RADOX® |
| 142MOD39020 | M12 Bus-/Railcat connection line, D-coded, 2.0 m, M12 jack angled - M12 plug angled, 4-pole, RADOX® |
| 142MOD39050 | M12 Bus-/Railcat connection line, D-coded, 5.0 m, M12 jack angled - M12 plug angled, 4-pole, RADOX® |
| 142MOD39100 | M12 Bus-/Railcat connection line, D-coded, 10.0 m, M12 jack angled - M12 plug angled, 4-pole, RADOX® |
| 142MOD40010 | M12 Bus-/Railcat connection cable, D-coded, 1.0 m, M12 jack - free line end, without flange, 4-pole, RADOX® |
| 142MOD40020 | M12 Bus-/Railcat connection cable, D-coded, 2.0 m, M12 jack - free line end, without flange, 4-pole, RADOX® |
| 142MOD40050 | M12 Bus-/Railcat connection cable, D-coded, 5.0 m, M12 jack - free line end, without flange, 4-pole, RADOX® |
| 142MOD40100 | M12 Bus-/Railcat connection cable, D-coded, 10.0 m, M12 jack - free line end, without flange, 4-pole, RADOX® |
| 142MOD45010 | M12 Bus-/Railcat connection line, D-coded, 1.0 m, M12 jack - RJ45 plug, without flange, 4-pole, RADOX® |
| 142MOD45020 | M12 Bus-/Railcat connection line, D-coded, 2.0 m, M12 jack - RJ45 plug, without flange, 4-pole, RADOX® |
| 142MOD45050 | M12 Bus-/Railcat connection line, D-coded, 5.0 m, M12 jack - RJ45 plug, without flange, 4-pole, RADOX® |
| 142MOD45100 | M12 Bus-/Railcat connection line, D-coded, 10.0 m, M12 jack - RJ45 plug, without flange, 4-pole, RADOX® |
| 142MOD49010 | M12 Bus-/Railcat connection line, D-coded, 1.0 m, M12 jack - M12 plug angled, without flange, 4-pole, RADOX® |

Data sheet

Page 10/17

**M12 plug, D-coded, IP67, Cat.5, Ø 6-9.7 mm,
field assembly, straight**

P/N

MNF881A115

EAN 4250184190318

2026/05/20

Version: AA

Accessories from

| | |
|-------------|--|
| 142MOD49020 | M12 Bus-/Railcat connection line, D-coded, 2.0 m, M12 jack - M12 plug angled, without flange, 4-pole, RADOX® |
| 142MOD49050 | M12 Bus-/Railcat connection line, D-coded, 5.0 m, M12 jack - M12 plug angled, without flange, 4-pole, RADOX® |
| 142MOD49100 | M12 Bus-/Railcat connection line, D-coded, 10.0 m, M12 jack - M12 plug angled, without flange, 4-pole, RADOX® |
| 142MOD50010 | M12 Bus-/Railcat connection cable, D-coded, 1.0 m, RJ45 plug - free line end, 4-pole, RADOX® |
| 142MOD50020 | M12 Bus-/Railcat connection cable, D-coded, 2.0 m, RJ45 plug - free line end, 4-pole, RADOX® |
| 142MOD50050 | M12 Bus-/Railcat connection cable, D-coded, 5.0 m, RJ45 plug - free line end, 4-pole, RADOX® |
| 142MOD50100 | M12 Bus-/Railcat connection cable, D-coded, 10.0 m, RJ45 plug - free line end, 4-pole, RADOX® |
| 142MOD55010 | M12 Bus-/Railcat Patch cord, D-coded, 1.0 m, RJ45 plug - RJ45 plug, RADOX® |
| 142MOD55020 | M12 Bus-/Railcat Patch cord, D-coded, 2.0 m, RJ45 plug - RJ45 plug, RADOX® |
| 142MOD55050 | M12 Bus-/Railcat Patch cord, D-coded, 5.0 m, RJ45 plug - RJ45 plug, RADOX® |
| 142MOD55100 | M12 Bus-/Railcat Patch cord, D-coded, 10.0 m, RJ45 plug - RJ45 plug, RADOX® |
| 142MOD59010 | M12 Bus-/Railcat connection line, D-coded, 1.0 m, RJ45 plug - M12 plug angled, 4-pole, RADOX® |
| 142MOD59020 | M12 Bus-/Railcat connection line, D-coded, 2.0 m, RJ45 plug - M12 plug angled, 4-pole, RADOX® |
| 142MOD59050 | M12 Bus-/Railcat connection line, D-coded, 5.0 m, RJ45 plug - M12 plug angled, 4-pole, RADOX® |
| 142MOD59100 | M12 Bus-/Railcat connection line, D-coded, 10.0 m, RJ45 plug - M12 plug angled, 4-pole, RADOX® |
| 142MOD90010 | M12 Bus-/Railcat connection cable, D-coded, 1.0 m, M12 plug angled - free line end, 4-pole, RADOX® |
| 142MOD90020 | M12 Bus-/Railcat connection cable, D-coded, 2.0 m, M12 plug angled - free line end, 4-pole, RADOX® |
| 142MOD90050 | M12 Bus-/Railcat connection cable, D-coded, 5.0 m, M12 plug angled - free line end, 4-pole, RADOX® |
| 142MOD90100 | M12 Bus-/Railcat connection cable, D-coded, 10.0 m, M12 plug angled - free line end, 4-pole, RADOX® |
| 142MODE0010 | M12 Bus-/Railcat connection cable, D-coded, 1.0 m, M12 jack angled - free line end, without flange, 4-pole, RADOX® |
| 142MODE0020 | M12 Bus-/Railcat connection cable, D-coded, 2.0 m, M12 jack angled - free line end, without flange, 4-pole, RADOX® |
| 142MODE0050 | M12 Bus-/Railcat connection cable, D-coded, 5.0 m, M12 jack angled - free line end, without flange, 4-pole, RADOX® |

© 2026 METZ CONNECT - Technische Änderungen vorbehalten! Subject to modifications! Sous réserve de modifications techniques!



Data sheet

**M12 plug, D-coded, IP67, Cat.5, Ø 6-9.7 mm,
field assembly, straight**

P/N

MNF881A115

EAN 4250184190318

2026/05/20

Version: AA

Accessories from

| | |
|-------------|--|
| 142MODE0100 | M12 Bus-/Railcat connection cable, D-coded, 10.0 m, M12 jack angled - free line end, without flange, 4-pole, RADOX® |
| 142MODE5010 | M12 Bus-/Railcat connection line, D-coded, 1.0 m, M12 jack angled -RJ45 plug, without flange, 4-pole, RADOX® |
| 142MODE5020 | M12 Bus-/Railcat connection line, D-coded, 2.0 m, M12 jack angled - RJ45 plug, without flange, 4-pole, RADOX® |
| 142MODE5050 | M12 Bus-/Railcat connection line, D-coded, 5.0 m, M12 jack angled - RJ45 plug, without flange, 4-pole, RADOX® |
| 142MODE5100 | M12 Bus-/Railcat connection line, D-coded, 10.0 m, M12 jack angled - RJ45 plug, without flange, 4-pole, RADOX® |
| 142MODE9010 | M12 Bus-/Railcat connection line, D-coded, 1.0 m, M12 jack angled - M12 plug angled, without flange, 4-pole, RADOX® |
| 142MODE9020 | M12 Bus-/Railcat connection line, D-coded, 2.0 m, M12 jack angled - M12 plug angled, without flange, 4-pole, RADOX® |
| 142MODE9050 | M12 Bus-/Railcat connection line, D-coded, 5.0 m, M12 jack angled - M12 plug angled, without flange, 4-pole, RADOX® |
| 142MODE9100 | M12 Bus-/Railcat connection line, D-coded, 10.0 m, M12 jack angled - M12 plug angled, without flange, 4-pole, RADOX® |
| 142MPD10010 | M12 Bus-/Railcat connection cable, D-coded, 1.0 m, M12 plug - free line end, 4-pole, BETAtrans® |
| 142MPD10020 | M12 Bus-/Railcat connection cable, D-coded, 2.0 m, M12 plug - free line end, 4-pole, BETAtrans® |
| 142MPD10050 | M12 Bus-/Railcat connection cable, D-coded, 5.0 m, M12 plug - free line end, 4-pole, BETAtrans® |
| 142MPD10100 | M12 Bus-/Railcat connection cable, D-coded, 10.0 m, M12 plug - free line end, 4-pole, BETAtrans® |
| 142MPD11010 | M12 Bus-/Railcat connection line, D-coded, 1.0 m, M12 plug - M12 plug, 4-pole, BETAtrans® |
| 142MPD11020 | M12 Bus-/Railcat connection line, D-coded, 2.0 m, M12 plug - M12 plug, 4-pole, BETAtrans® |
| 142MPD11050 | M12 Bus-/Railcat connection line, D-coded, 5.0 m, M12 plug - M12 plug, 4-pole, BETAtrans® |
| 142MPD11100 | M12 Bus-/Railcat connection line, D-coded, 10.0 m, M12 plug - M12 plug, 4-pole, BETAtrans® |
| 142MPD12010 | M12 Bus-/Railcat connection line, D-coded, 1.0 m, M12 plug - M12 jack, 4-pole, BETAtrans® |
| 142MPD12020 | M12 Bus-/Railcat connection line, D-coded, 2.0 m, M12 plug - M12 jack, 4-pole, BETAtrans® |
| 142MPD12050 | M12 Bus-/Railcat connection line, D-coded, 5.0 m, M12 plug - M12 jack, 4-pole, BETAtrans® |
| 142MPD12100 | M12 Bus-/Railcat connection line, D-coded, 10.0 m, M12 plug - M12 jack, 4-pole, BETAtrans® |
| 142MPD13010 | M12 Bus-/Railcat connection line, D-coded, 1.0 m, M12 plug - M12 jack angled, 4-pole, BETAtrans® |

Data sheet

Page 12/17

**M12 plug, D-coded, IP67, Cat.5, Ø 6-9.7 mm,
field assembly, straight**

P/N

MNF881A115

EAN 4250184190318

2026/05/20

Version: AA

Accessories from

| | |
|-------------|--|
| 142MPD13020 | M12 Bus-/Railcat connection line, D-coded, 2.0 m, M12 plug - M12 jack angled, 4-pole, BETrans® |
| 142MPD13050 | M12 Bus-/Railcat connection line, D-coded, 5.0 m, M12 plug - M12 jack angled, 4-pole, BETrans® |
| 142MPD13100 | M12 Bus-/Railcat connection line, D-coded, 10.0 m, M12 plug - M12 jack angled, 4-pole, BETrans® |
| 142MPD14010 | M12 Bus-/Railcat connection line, D-coded, 1.0 m, M12 plug - M12 jack, without flange, 4-pole, BETrans® |
| 142MPD14020 | M12 Bus-/Railcat connection line, D-coded, 2.0 m, M12 plug - M12 jack, without flange, 4-pole, BETrans® |
| 142MPD14050 | M12 Bus-/Railcat connection line, D-coded, 5.0 m, M12 plug - M12 jack, without flange, 4-pole, BETrans® |
| 142MPD14100 | M12 Bus-/Railcat connection line, D-coded, 10.0 m, M12 plug - M12 jack, without flange, 4-pole, BETrans® |
| 142MPD15010 | M12 Bus-/Railcat connection line, D-coded, 1.0 m, M12 plug - RJ45 plug, 4-pole, BETrans® |
| 142MPD15020 | M12 Bus-/Railcat connection line, D-coded, 2.0 m, M12 plug - RJ45 plug, 4-pole, BETrans® |
| 142MPD15050 | M12 Bus-/Railcat connection line, D-coded, 5.0 m, M12 plug - RJ45 plug, 4-pole, BETrans® |
| 142MPD15100 | M12 Bus-/Railcat connection line, D-coded, 10.0 m, M12 plug - RJ45 plug, 4-pole, BETrans® |
| 142MPD19010 | M12 Bus-/Railcat connection line, D-coded, 1.0 m, M12 plug - M12 plug angled, 4-pole, BETrans® |
| 142MPD19020 | M12 Bus-/Railcat connection line, D-coded, 2.0 m, M12 plug - M12 plug angled, 4-pole, BETrans® |
| 142MPD19050 | M12 Bus-/Railcat connection line, D-coded, 5.0 m, M12 plug - M12 plug angled, 4-pole, BETrans® |
| 142MPD19100 | M12 Bus-/Railcat connection line, D-coded, 10.0 m, M12 plug - M12 plug angled, 4-pole, BETrans® |
| 142MPD1E010 | M12 Bus-/Railcat connection line, D-coded, 1.0 m, M12 plug - M12 jack angled, without flange, 4-pole, BETrans® |
| 142MPD1E020 | M12 Bus-/Railcat connection line, D-coded, 2.0 m, M12 plug - M12 jack angled, without flange, 4-pole, BETrans® |
| 142MPD1E050 | M12 Bus-/Railcat connection line, D-coded, 5.0 m, M12 plug - M12 jack angled, without flange, 4-pole, BETrans® |
| 142MPD1E100 | M12 Bus-/Railcat connection line, D-coded, 10.0 m, M12 plug - M12 jack angled, without flange, 4-pole, BETrans® |
| 142MPD20010 | M12 Bus-/Railcat connection cable, D-coded, 1.0 m, M12 jack - free line end, 4-pole, BETrans® |
| 142MPD20020 | M12 Bus-/Railcat connection cable, D-coded, 2.0 m, M12 jack - free line end, 4-pole, BETrans® |
| 142MPD20050 | M12 Bus-/Railcat connection cable, D-coded, 5.0 m, M12 jack - free line end, 4-pole, BETrans® |

Data sheet

Page 13/17

**M12 plug, D-coded, IP67, Cat.5, Ø 6-9.7 mm,
field assembly, straight**

P/N

MNF881A115

EAN 4250184190318

2026/05/20

Version: AA

Accessories from

| | |
|-------------|--|
| 142MPD20100 | M12 Bus-/Railcat connection cable, D-coded, 10.0 m, M12 jack - free line end, 4-pole, BETrans® |
| 142MPD25010 | M12 Bus-/Railcat connection line, D-coded, 1.0 m, M12 jack - RJ45 plug, 4-pole, BETrans® |
| 142MPD25020 | M12 Bus-/Railcat connection line, D-coded, 2.0 m, M12 jack - RJ45 plug, 4-pole, BETrans® |
| 142MPD25050 | M12 Bus-/Railcat connection line, D-coded, 5.0 m, M12 jack - RJ45 plug, 4-pole, BETrans® |
| 142MPD25100 | M12 Bus-/Railcat connection line, D-coded, 10.0 m, M12 jack - RJ45 plug, 4-pole, BETrans® |
| 142MPD29010 | M12 Bus-/Railcat connection line, D-coded, 1.0 m, M12 jack - M12 plug angled, 4-pole, BETrans® |
| 142MPD29020 | M12 Bus-/Railcat connection line, D-coded, 2.0 m, M12 jack - M12 plug angled, 4-pole, BETrans® |
| 142MPD29050 | M12 Bus-/Railcat connection line, D-coded, 5.0 m, M12 jack - M12 plug angled, 4-pole, BETrans® |
| 142MPD29100 | M12 Bus-/Railcat connection line, D-coded, 10.0 m, M12 jack - M12 plug angled, 4-pole, BETrans® |
| 142MPD30010 | M12 Bus-/Railcat connection cable, D-coded, 1.0 m, M12 jack angled - free line end, 4-pole, BETrans® |
| 142MPD30020 | M12 Bus-/Railcat connection cable, D-coded, 2.0 m, M12 jack angled - free line end, 4-pole, BETrans® |
| 142MPD30050 | M12 Bus-/Railcat connection cable, D-coded, 5.0 m, M12 jack angled - free line end, 4-pole, BETrans® |
| 142MPD30100 | M12 Bus-/Railcat connection cable, D-coded, 10.0 m, M12 jack angled - free line end, 4-pole, BETrans® |
| 142MPD35010 | M12 Bus-/Railcat connection line, D-coded, 1.0 m, M12 jack angled -RJ45 plug, 4-pole, BETrans® |
| 142MPD35020 | M12 Bus-/Railcat connection line, D-coded, 2.0 m, M12 jack angled - RJ45 plug, 4-pole, BETrans® |
| 142MPD35050 | M12 Bus-/Railcat connection line, D-coded, 5.0 m, M12 jack angled - RJ45 plug, 4-pole, BETrans® |
| 142MPD35100 | M12 Bus-/Railcat connection line, D-coded, 10.0 m, M12 jack angled - RJ45 plug, 4-pole, BETrans® |
| 142MPD39010 | M12 Bus-/Railcat connection line, D-coded, 1.0 m, M12 jack angled - M12 plug angled, 4-pole, BETrans® |
| 142MPD39020 | M12 Bus-/Railcat connection line, D-coded, 2.0 m, M12 jack angled - M12 plug angled, 4-pole, BETrans® |
| 142MPD39050 | M12 Bus-/Railcat connection line, D-coded, 5.0 m, M12 jack angled - M12 plug angled, 4-pole, BETrans® |
| 142MPD39100 | M12 Bus-/Railcat connection line, D-coded, 10.0 m, M12 jack angled - M12 plug angled, 4-pole, BETrans® |
| 142MPD40010 | M12 Bus-/Railcat connection cable, D-coded, 1.0 m, M12 jack - free line end, without flange, 4-pole, BETrans® |

© 2026 METZ CONNECT - Technische Änderungen vorbehalten! Subject to modifications! Sous réserve de modifications techniques!

Data sheet

Page 14/17

**M12 plug, D-coded, IP67, Cat.5, Ø 6-9.7 mm,
field assembly, straight**

P/N

MNF881A115

EAN 4250184190318

2026/05/20

Version: AA

Accessories from

| | |
|-------------|--|
| 142MPD40020 | M12 Bus-/Railcat connection cable, D-coded, 2.0 m, M12 jack - free line end, without flange, 4-pole, BETrans [®] |
| 142MPD40050 | M12 Bus-/Railcat connection cable, D-coded, 5.0 m, M12 jack - free line end, without flange, 4-pole, BETrans [®] |
| 142MPD40100 | M12 Bus-/Railcat connection cable, D-coded, 10.0 m, M12 jack - free line end, without flange, 4-pole, BETrans [®] |
| 142MPD45010 | M12 Bus-/Railcat connection line, D-coded, 1.0 m, M12 jack - RJ45 plug, without flange, 4-pole, BETrans [®] |
| 142MPD45020 | M12 Bus-/Railcat connection line, D-coded, 2.0 m, M12 jack - RJ45 plug, without flange, 4-pole, BETrans [®] |
| 142MPD45050 | M12 Bus-/Railcat connection line, D-coded, 5.0 m, M12 jack - RJ45 plug, without flange, 4-pole, BETrans [®] |
| 142MPD45100 | M12 Bus-/Railcat connection line, D-coded, 10.0 m, M12 jack - RJ45 plug, without flange, 4-pole, BETrans [®] |
| 142MPD49010 | M12 Bus-/Railcat connection line, D-coded, 1.0 m, M12 jack - M12 plug angled, without flange, 4-pole, BETrans [®] |
| 142MPD49020 | M12 Bus-/Railcat connection line, D-coded, 2.0 m, M12 jack - M12 plug angled, without flange, 4-pole, BETrans [®] |
| 142MPD49050 | M12 Bus-/Railcat connection line, D-coded, 5.0 m, M12 jack - M12 plug angled, without flange, 4-pole, BETrans [®] |
| 142MPD49100 | M12 Bus-/Railcat connection line, D-coded, 10.0 m, M12 jack - M12 plug angled, without flange, 4-pole, BETrans [®] |
| 142MPD50010 | M12 Bus-/Railcat connection cable, D-coded, 1.0 m, RJ45 plug - free line end, 4-pole, BETrans [®] |
| 142MPD50020 | M12 Bus-/Railcat connection cable, D-coded, 2.0 m, RJ45 plug - free line end, 4-pole, BETrans [®] |
| 142MPD50050 | M12 Bus-/Railcat connection cable, D-coded, 5.0 m, RJ45 plug - free line end, 4-pole, BETrans [®] |
| 142MPD50100 | M12 Bus-/Railcat connection cable, D-coded, 10.0 m, RJ45 plug - free line end, 4-pole, BETrans [®] |
| 142MPD55010 | M12 Bus-/Railcat Patch cord, D-coded, 1.0 m, RJ45 plug - RJ45 plug, BETrans [®] |
| 142MPD55020 | M12 Bus-/Railcat Patch cord, D-coded, 2.0 m, RJ45 plug - RJ45 plug, BETrans [®] |
| 142MPD55050 | M12 Bus-/Railcat Patch cord, D-coded, 5.0 m, RJ45 plug - RJ45 plug, BETrans [®] |
| 142MPD55100 | M12 Bus-/Railcat Patch cord, D-coded, 10.0 m, RJ45 plug - RJ45 plug, BETrans [®] |
| 142MPD59010 | M12 Bus-/Railcat connection line, D-coded, 1.0 m, RJ45 plug - M12 plug angled, 4-pole, BETrans [®] |
| 142MPD59020 | M12 Bus-/Railcat connection line, D-coded, 2.0 m, RJ45 plug - M12 plug angled, 4-pole, BETrans [®] |
| 142MPD59050 | M12 Bus-/Railcat connection line, D-coded, 5.0 m, RJ45 plug - M12 plug angled, 4-pole, BETrans [®] |

Data sheet

M12 plug, D-coded, IP67, Cat.5, Ø 6-9.7 mm, field assembly, straight

P/N

MNF881A115

EAN 4250184190318

2026/05/20

Version: AA

Accessories from

| | |
|-------------|--|
| 142MPD59100 | M12 Bus-/Railcat connection line, D-coded, 10.0 m, RJ45 plug - M12 plug angled, 4-pole, BETAtrans® |
| 142MPD90010 | M12 Bus-/Railcat connection cable, D-coded, 1.0 m, M12 plug angled - free line end, 4-pole, BETAtrans® |
| 142MPD90020 | M12 Bus-/Railcat connection cable, D-coded, 2.0 m, M12 plug angled - free line end, 4-pole, BETAtrans® |
| 142MPD90050 | M12 Bus-/Railcat connection cable, D-coded, 5.0 m, M12 plug angled - free line end, 4-pole, BETAtrans® |
| 142MPD90100 | M12 Bus-/Railcat connection cable, D-coded, 10.0 m, M12 plug angled - free line end, 4-pole, BETAtrans® |
| 142MPDE0010 | M12 Bus-/Railcat connection cable, D-coded, 1.0 m, M12 jack angled - free line end, without flange, 4-pole, BETAtrans® |
| 142MPDE0020 | M12 Bus-/Railcat connection cable, D-coded, 2.0 m, M12 jack angled - free line end, without flange, 4-pole, BETAtrans® |
| 142MPDE0050 | M12 Bus-/Railcat connection cable, D-coded, 5.0 m, M12 jack angled - free line end, without flange, 4-pole, BETAtrans® |
| 142MPDE0100 | M12 Bus-/Railcat connection cable, D-coded, 10.0 m, M12 jack angled - free line end, without flange, 4-pole, BETAtrans® |
| 142MPDE5010 | M12 Bus-/Railcat connection line, D-coded, 1.0 m, M12 jack angled -RJ45 plug, without flange, 4-pole, BETAtrans® |
| 142MPDE5020 | M12 Bus-/Railcat connection line, D-coded, 2.0 m, M12 jack angled - RJ45 plug, without flange, 4-pole, BETAtrans® |
| 142MPDE5050 | M12 Bus-/Railcat connection line, D-coded, 5.0 m, M12 jack angled - RJ45 plug, without flange, 4-pole, BETAtrans® |
| 142MPDE5100 | M12 Bus-/Railcat connection line, D-coded, 10.0 m, M12 jack angled - RJ45 plug, without flange, 4-pole, BETAtrans® |
| 142MPDE9010 | M12 Bus-/Railcat connection line, D-coded, 1.0 m, M12 jack angled - M12 plug angled, without flange, 4-pole, BETAtrans® |
| 142MPDE9020 | M12 Bus-/Railcat connection line, D-coded, 2.0 m, M12 jack angled - M12 plug angled, without flange, 4-pole, BETAtrans® |
| 142MPDE9050 | M12 Bus-/Railcat connection line, D-coded, 5.0 m, M12 jack angled - M12 plug angled, without flange, 4-pole, BETAtrans® |
| 142MPDE9100 | M12 Bus-/Railcat connection line, D-coded, 10.0 m, M12 jack angled - M12 plug angled, without flange, 4-pole, BETAtrans® |
| 142MQX10010 | M12 Bus-/Railcat connection cable, X-coded, 1.0 m, M12 plug - free line end, 8-pole, RADOX® |
| 142MQX10020 | M12 Bus-/Railcat connection cable, X-coded, 2.0 m, M12 plug - free line end, 8-pole, RADOX® |
| 142MQX10050 | M12 Bus-/Railcat connection cable, X-coded, 5.0 m, M12 plug - free line end, 8-pole, RADOX® |
| 142MQX10100 | M12 Bus-/Railcat connection cable, X-coded, 10.0 m, M12 plug - free line end, 8-pole, RADOX® |
| 142MQX11010 | M12 Bus-/Railcat connection line, X-coded, 1.0 m, M12 plug - M12 plug, 8-pole, RADOX® |

© 2026 METZ CONNECT - Technische Änderungen vorbehalten! Subject to modifications! Sous réserve de modifications techniques!

Data sheet

Page 16/17

**M12 plug, D-coded, IP67, Cat.5, Ø 6-9.7 mm,
field assembly, straight**

P/N

MNF881A115

EAN 4250184190318

2026/05/20

Version: AA

Accessories from

| | |
|-------------|---|
| 142MQX11020 | M12 Bus-/Railcat connection line, X-coded, 2.0 m, M12 plug - M12 plug, 8-pole, RADOX® |
| 142MQX11050 | M12 Bus-/Railcat connection line, X-coded, 5.0 m, M12 plug - M12 plug, 8-pole, RADOX® |
| 142MQX11100 | M12 Bus-/Railcat connection line, X-coded, 10.0 m, M12 plug - M12 plug, 8-pole, RADOX® |
| 142MQX12010 | M12 Bus-/Railcat connection line, X-coded, 1.0 m, M12 plug - M12 jack, 8-pole, RADOX® |
| 142MQX12020 | M12 Bus-/Railcat connection line, X-coded, 2.0 m, M12 plug - M12 jack, 8-pole, RADOX® |
| 142MQX12050 | M12 Bus-/Railcat connection line, X-coded, 5.0 m, M12 plug - M12 jack, 8-pole, RADOX® |
| 142MQX12100 | M12 Bus-/Railcat connection line, X-coded, 10.0 m, M12 plug - M12 jack, 8-pole, RADOX® |
| 142MQX14010 | M12 Bus-/Railcat connection line, X-coded, 1.0 m, M12 plug - M12 plug, without flange, 8-pole, RADOX® |
| 142MQX14020 | M12 Bus-/Railcat connection line, X-coded, 2.0 m, M12 plug - M12 plug, without flange, 8-pole, RADOX® |
| 142MQX14050 | M12 Bus-/Railcat connection line, X-coded, 5.0 m, M12 plug - M12 plug, without flange, 8-pole, RADOX® |
| 142MQX14100 | M12 Bus-/Railcat connection line, X-coded, 10.0 m, M12 plug - M12 plug, without flange, 8-pole, RADOX® |
| 142MQX20010 | M12 Bus-/Railcat connection cable, X-coded, 1.0 m, M12 jack - free cable end, 8-pole, RADOX® |
| 142MQX20020 | M12 Bus-/Railcat connection cable, X-coded, 2.0 m, M12 jack - free cable end, 8-pole, RADOX® |
| 142MQX20050 | M12 Bus-/Railcat connection cable, X-coded, 5.0 m, M12 jack - free cable end, 8-pole, RADOX® |
| 142MQX20100 | M12 Bus-/Railcat connection cable, X-coded, 10.0 m, M12 jack - free cable end, 8-pole, RADOX® |
| 142MQX40010 | M12 Bus-/Railcat connection line, X-coded, 1.0 m, M12 plug - M12 jack, without flange, 8-pole, RADOX® |
| 142MQX40020 | M12 Bus-/Railcat connection line, X-coded, 2.0 m, M12 plug - M12 jack, without flange, 8-pole, RADOX® |
| 142MQX40050 | M12 Bus-/Railcat connection line, X-coded, 5.0 m, M12 plug - M12 jack, without flange, 8-pole, RADOX® |
| 142MQX40100 | M12 Bus-/Railcat connection line, X-coded, 10.0 m, M12 plug - M12 jack, without flange, 8-pole, RADOX® |



Data sheet

Page 17/17

**M12 plug, D-coded, IP67, Cat.5, Ø 6-9.7 mm,
field assembly, straight**

P/N
MNF881A115

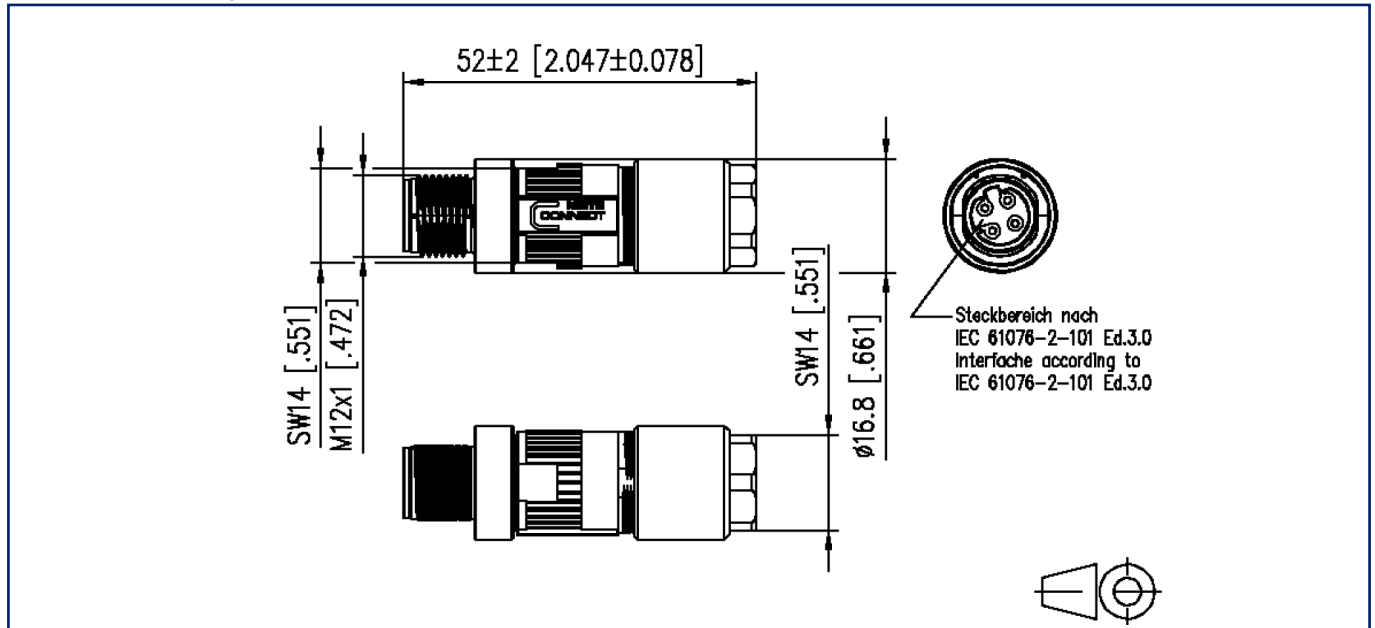
EAN 4250184190318

2026/05/20

Version: AA

Illustrations

Dimensional drawing



Wiring diagram

