

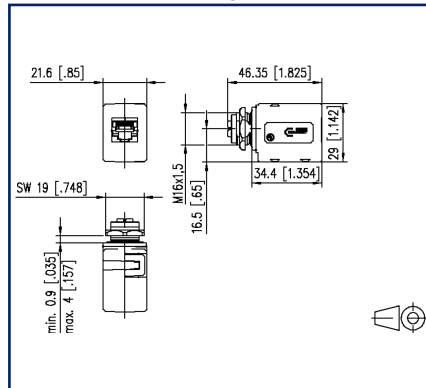
## Data sheet

### M12 Panel feed through adapters, X-coded, to RJ45 - straight

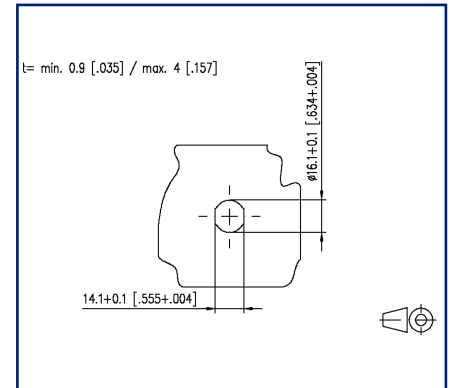
## Illustrations



Dimensional drawing



Drill pattern



See enlarged drawings at the end of document

## Product specification

- panel feed-through adapter M12 to RJ45 for control cabinets
- M12 jack X-coded, IP67, per IEC/PS 61076-2-109
- RJ45 jack, IP20, per IEC 60603-7-51
- suitable for 10 GBit per IEEE802.3an
- Cat.6<sub>A</sub>
- plug-in direction: straight
- solid refined zinc die-cast housing
- suitable for applications in the railway industry according to data sheet



# P | Cabling

Data sheet

Page 2/7

## M12 Panel feed through adapters, X-coded, to RJ45 - straight

P/N

MWN811A415

EAN 4250184157441

2024/08/16

Version: L

### Technical Data

#### General Data

Electromagnetic measurement according to MICE	E2
Design	Jack
Mounting style	back side
Shielding	shielded
Transmission technology	Copper
Color	metallike
Dimensions	
Dimension (L x W x H)	46.35 mm x 21.6 mm x 29 mm
Dimension (L x W x H)	1.825 in. x 0.85 in. x 1.142 in.
Labeling option	on housing

#### Transmission characteristics

Category (ISO)	6 <sub>A</sub>
Category (TIA)	6A
Transmission rate up to 10 GBit	IEEE 802.3an

#### Connections/interfaces

Connector technology interface 1	RJ45-jack
Connector technology interface 2	M12-jack
Coding interface 2	X-coded
Number of ports interface 1	1
Number of ports interface 2	1
Number of equipped ports interface 1	1
Number of ports interface 2 equipped	1
Number of positions/contacts interface 1	8P/8C
Number of positions/contacts interface 2	8
Cable access/outlet	straight M12



# P | Cabling

Data sheet

Page 3/7

## M12 Panel feed through adapters, X-coded, to RJ45 - straight

P/N

MWN811A415

EAN 4250184157441

2024/08/16

Version: L

### Technical Data

#### Electrical characteristics

Current carrying capacity	0.5 A
Rated voltage	50 V AC / 60 V DC
Insulation resistance	min. 100 MOhm

#### Materials and material properties

Material - Housing	GD-Zn
Halogen free	yes
Material - Finish	Ni (nickel)
RoHS	compliant

#### Environmental conditions

Temperature (min. - max.)	
Temperature - Storage °C	-40 °C - 70 °C
Temperature - Storage °F	-40 °F - 158 °F
Temperature - Operating °C	-40 °C - 70 °C
Temperature - Operating °F	-40 °F - 158 °F
Particulate ingress interface 1	IP2X
Liquid ingress/immersion interface 1	IPX0
Particulate ingress interface 2	IP6X when plugged in
Liquid ingress/immersion interface 2	IPX7 when plugged in
Overvoltage category	II
Degree of pollution	2

#### Approvals

UL listed (file no.)



DUXR.E178484

# P | Cabling

Data sheet

Page 4/7

## M12 Panel feed through adapters, X-coded, to RJ45 - straight

P/N

MWN811A415

EAN 4250184157441

2024/08/16

Version: L

### Technical Data

#### Standards/Regulations

Application-specific communications cabling systems

Profinet	yes
Connectors for electronic equipment	
circular connector	DIN EN 61076-2-109:2010-08
Rectangular connectors	IEC 60603-7-51
Railway applications	
Electronic equipment used on rolling stock	following to DIN EN 50155
Fire protection on railway vehicles	following to DIN EN 45545-2
Contact holder	Thermoplastic
Sealings	Elastomer
Shock and vibration	DIN EN 50155:2018-05, DIN EN 61373:2011-04 Class 1 Category B
Salt spray	DIN EN 50155:2018-05, (DIN EN 60068-2-11:2000-02/ 48h test KA)

#### Classifications

ETIM 7.0	EC001134
ETIM 8.0	EC001134
ETIM 9.0	EC001134

#### Packing details

Type of packaging	10 pc(s) / box
-------------------	----------------

#### Application note

This product is a standard product of METZ CONNECT. METZ CONNECT is not aware of the specific intended use of the goods by the Customer or any customers of the Customer. The Customer guarantees that it has fully and sufficiently tested the use of the goods and any product modifications, product changes or product enhancements with regard to the specific intended use in accordance with the state of the art or in any other way. At METZ CONNECT's request, the Customer shall submit and make available meaningful evidence (e.g. test and laboratory protocols, certifications, etc.).

# P | Cabling

Data sheet

Page 5/7

## M12 Panel feed through adapters, X-coded, to RJ45 - straight

P/N

MWN811A415

EAN 4250184157441

2024/08/16

Version: L

### Accessories

P/N	Designation
700701	M12 screw plug for jacks IP54

© 2024 METZ CONNECT - Technische Änderungen vorbehalten! Subject to modifications! Sous réserve de modifications techniques!



# P | Cabling

Data sheet

## M12 Panel feed through adapters, X-coded, to RJ45 - straight

Page 6/7

P/N

MWN811A415

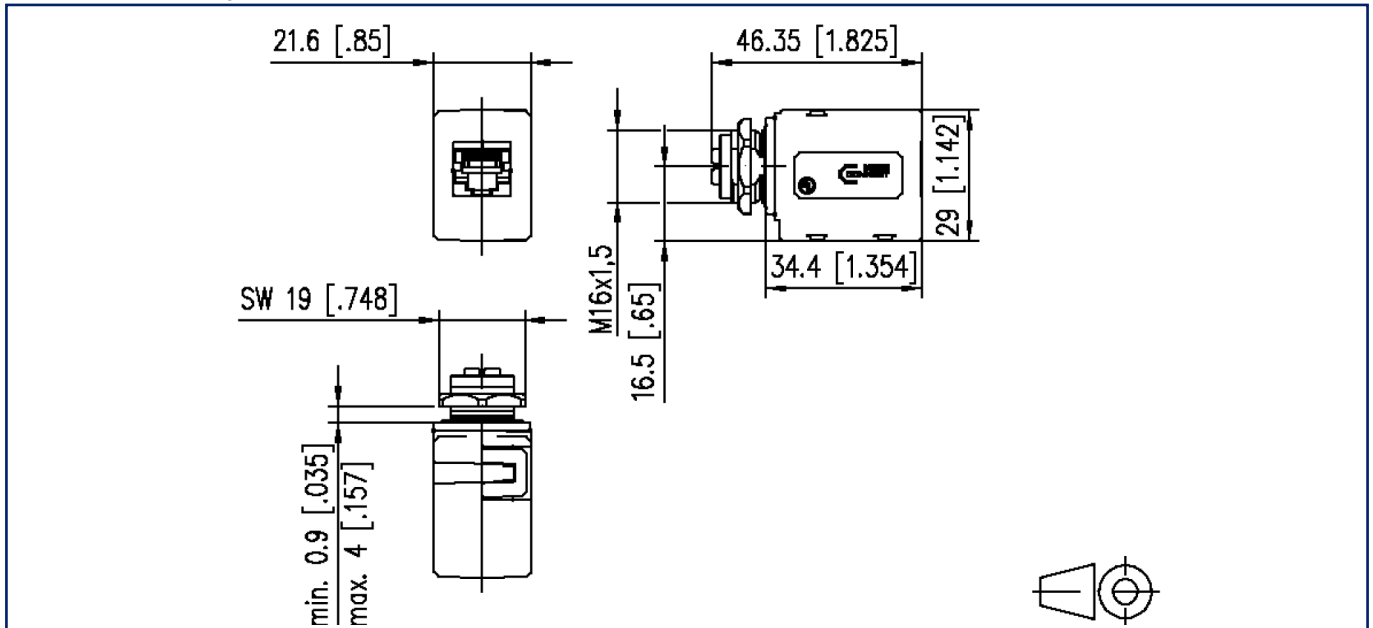
EAN 4250184157441

2024/08/16

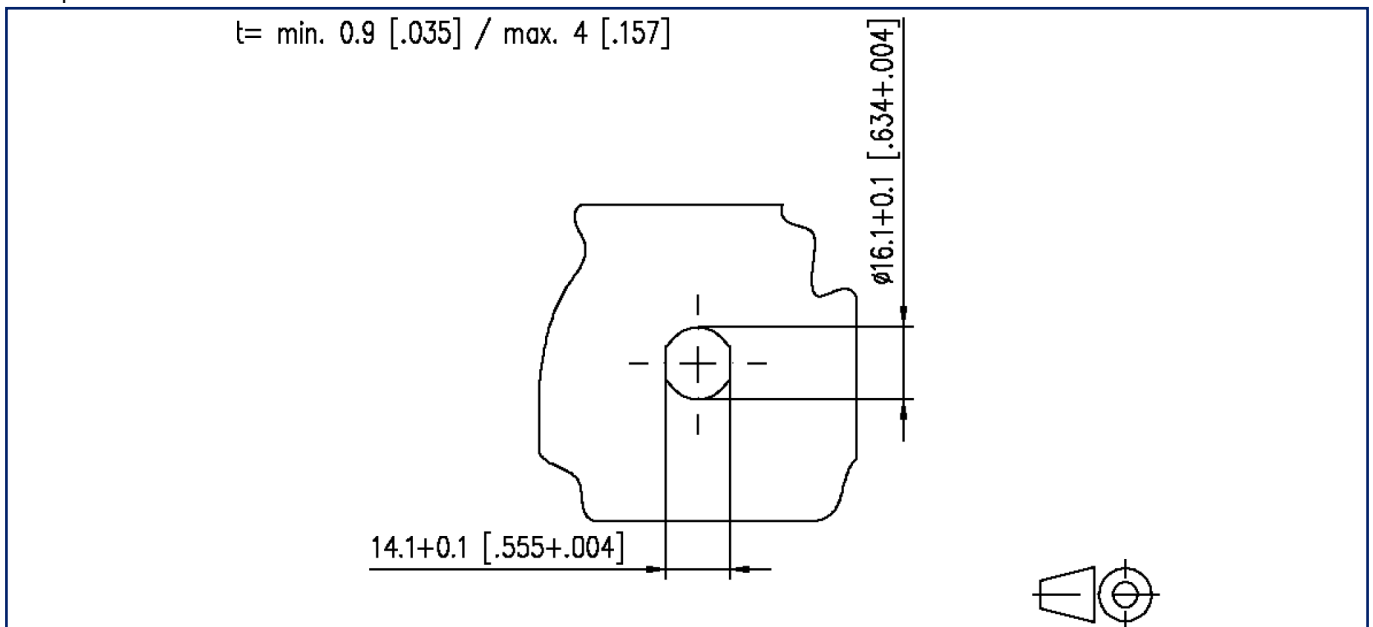
Version: L

### Illustrations

Dimensional drawing



Drill pattern



# P | Cabling

Data sheet

## M12 Panel feed through adapters, X-coded, to RJ45 - straight

Page 7/7

P/N

MWN811A415

EAN 4250184157441

2024/08/16

Version: L

### Illustrations

Wiring diagram

